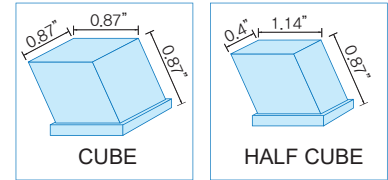




MAESTRO Series

Simplicity, Reliability, Longevity, and Performance



(Revised 3/27/2024)

NEW MODULAR Ice Machines

Product Image (w/bin)												
Models	IM-0350-22	IM-0460-22	IM-0550-22	IM-0350	IM-0460	IM-0550	IM-0750	IM-1100	IM-1700	IM-2000		
Ice Type	C = Full Cube H = Half Cube											
Cooling Types*	A	A	A	A	A/W	A/W	A	A/W/R	A/W/R	A/W/R		
24-hour Ice Production (lbs.)	Air/Water 70°/50°F	A:	394	443	508	367	444	551	737	1106	1722	2050
		W:					463	547		1036	1843	2006
	Air/Water 90°/70°F	R:								1081	1680	1980
		A:	311	327	383	292	364	399	575	873	1446	1600
		W:					407	483		1004	1678	1821
		R:								949	1468	1730
Dimensions (inches)	22W x 24.8D x 22.6H			30W x 24.8D x 22.6H			30x24.8x30.3		48W x 24.5D x 30.4H			
Wt. (net/shipping) (lbs.)	143.3 / 168		143.3 / 171	152.1 / 171	162.3 / 184	162.3 / 189	185.2 / 218	231.5 / 262	322 / 366			
Electrical	115V / 60Hz / 1-phase						208-220V / 60Hz / 1-phase					
Power Consumption (kWh/100 lbs. of ice-air)	6.25	6.21	6.08	6.25	5.43	5.91	5.59	4.99	4.66	4.24		
Energy Star (air/remote)												
Applicable Bins	IB-026-22, IB-033, IB-044			IB-033, IB-044		IB-044, IB-085-48		IB-085-48				

*A = air-cooled; W = water-cooled; R = remote (air-cooled)

COMMERCIAL WARRANTY

Ice Maker 3 years	Evaporator 5 years	Compressor 5 years part
Parts & Labor	Parts & Labor	3 yrs. Labor



(714) 215 - 4864
(470) 567 - 8603

1202 W Struck Ave, Orange, CA 92867
6432 Warren Dr, Norcross, GA 90093

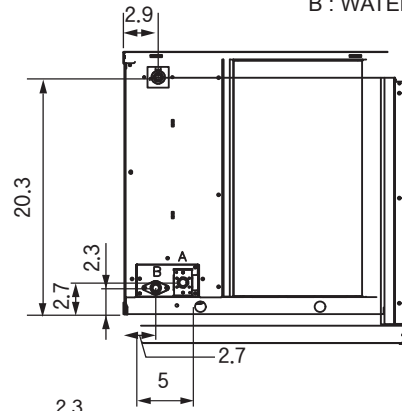
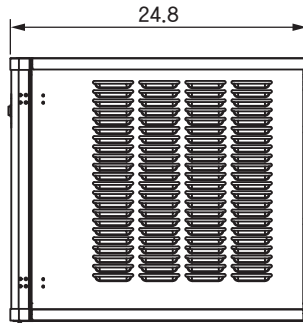
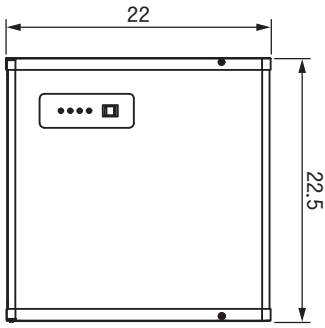
www.icetroamerica.com
icetro@icetroamerica.com



IM-0350-22, IM-0460-22, IM-0550-22

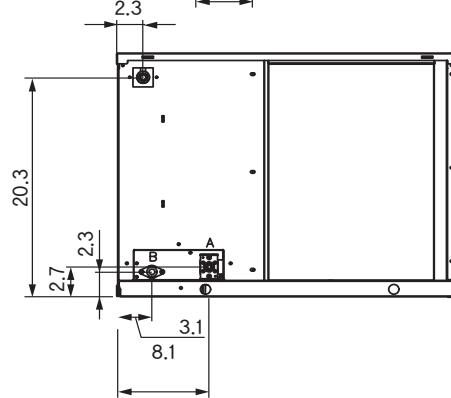
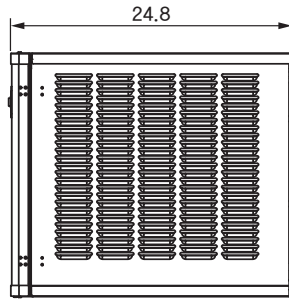
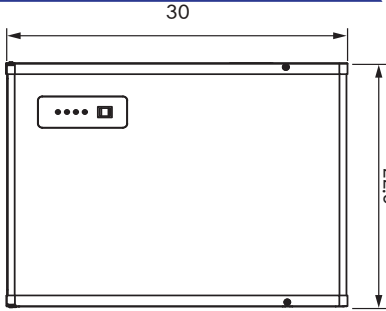
(Size : Inch)

A : WATER INLET (3/8" NPT)
B : WATER DRAIN (3/4" NPT)



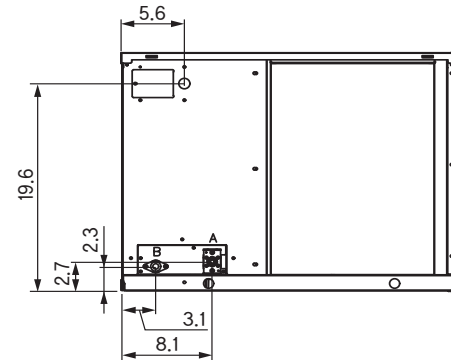
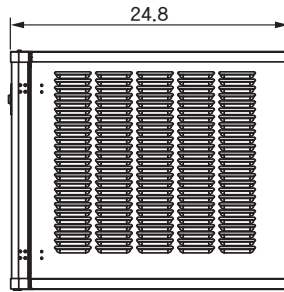
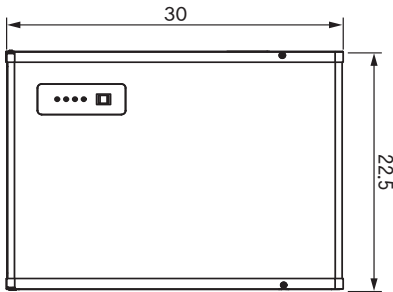
IM-0350, IM-0460, IM-0550

(Size : Inch)



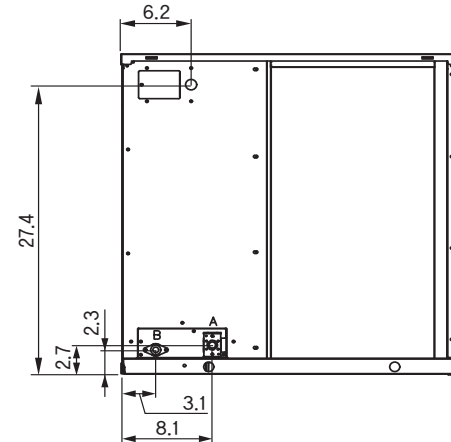
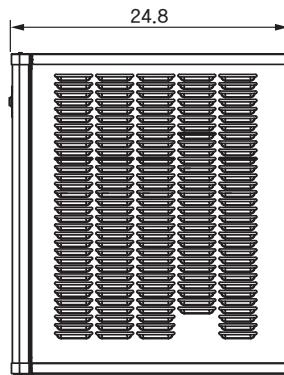
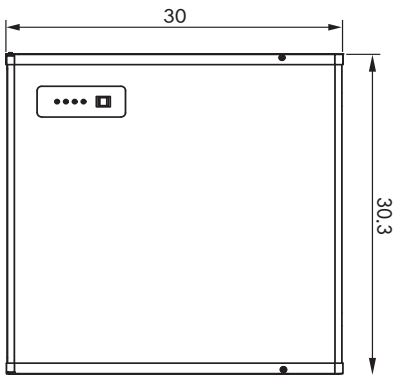
IM-0750

(Size : Inch)

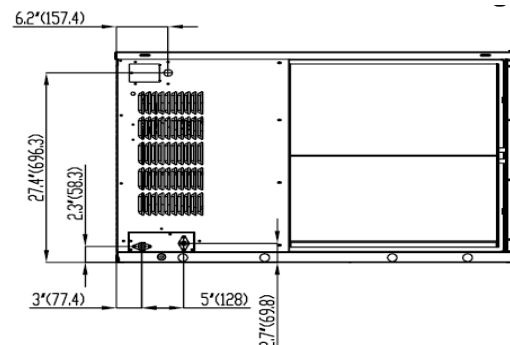
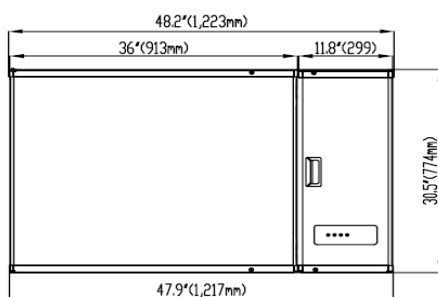
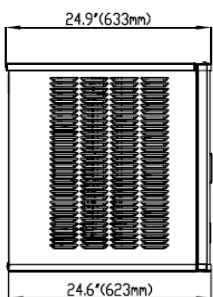


IM-1100

(Size : Inch)



IM-1700, IM-2000



MAESTRO MODULAR Ice Machines