

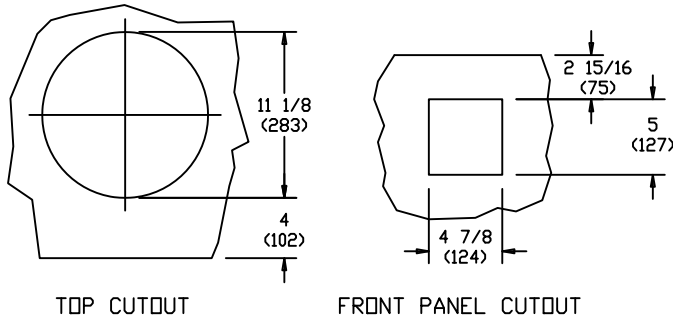
ELECTRICAL

INSTALLATION INSTRUCTIONS BUILT-IN ROUND FOOD AND LIQUID WARMERS W/ 7.3 INCH DEEP POT

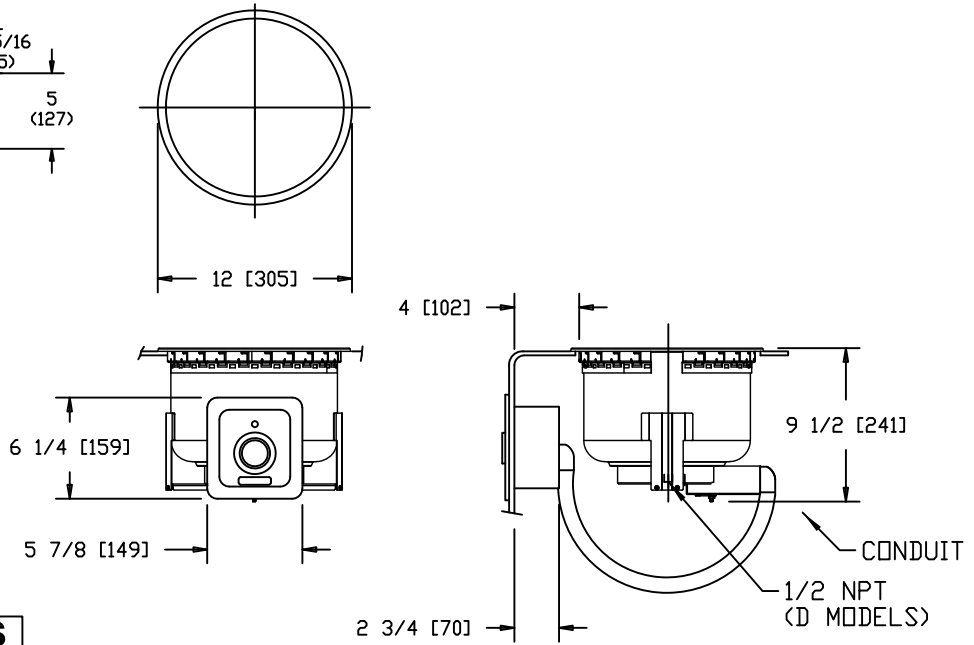
SM-50-11ULS-120
SM-50-11DULS-120

MODEL	VOLTS	WATTS	AMPS	PHASE	FIELD WIRING GAUGE	TEMP. RATING
SM-50-11ULS-120	120	825	6.9	SINGLE	14	90°C
SM-50-11DULS-120	120	825	6.9	SINGLE	14	90°C

CUTOUT DETAILS



PRODUCT DIMENSIONS



CLEARANCES

MINIMUM CLEARANCE REQUIRED UNIT TO THE NEAREST SURFACE			
BACK	SIDE	BOTTOM	FRONT
1 (25)	1 (25)	8 (203)	4 (102)

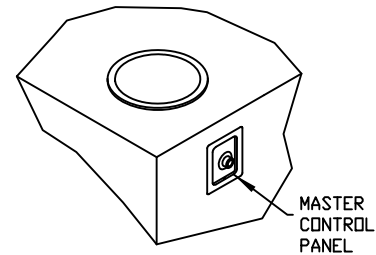
INSTALLATION INSTRUCTIONS

- INSTALLER MUST MEET CONDITIONS OF ACCEPTABILITY OUTLINED BELOW UPON INSTALLATION:
- Required installation clearances:
Wooden and Metal Installation: **DO NOT** install closer than 4 inches to front wall, 1 inch to back and side walls, and 8 inches to surface below the unit.
 - Unit shall be accessible for servicing from the bottom.
 - If storage is to be used underneath the unit, it is recommended that a baffle be placed 8 1/2 inches below the unit to avoid contact with elevated temperatures.

- TO FABRICATE:**
- Lay out 'cutout' dimensions on countertop and front apron.
 - Lay out and fabricate control panel holes in counter apron using the control box as a template.
 - Cut out holes (Note: 'stiffening' around perimeter of the countertop cutout is not normally required).

- TO INSTALL:**
- IMPORTANT - DO NOT** disconnect lead wires from the Control Panel when installing.
- Press the self sticking 'gray' gasket material along the perimeter of the appliance mounting flange, about 1/4 inch from the outside edge. Remove the paper backing as the gasket is applied.
RECOMMENDATION: Before final seating of modular section to countertop, apply a bead of silicone adhesive/sealant to the underside of warmer flange.
 - Locate warmer and control box over countertop cutout. Pass control box through countertop cutout and front panel cutout.
 - Seat warmer onto countertop and the mount control box into front panel cutout.
 - From underneath, insert screwdriver into slots on E-Z LOCK flange and twist outward (clockwise) to tighten unit down to countertop (see detail at right).

- Mount the control panel to control box using screws supplied.
- NOTE: INSTALLATION MUST MEET LOCAL PLUMBING AND ELECTRICAL CODES.**



IMPORTANT:
MOUNT APPLIANCE SO THAT THE CONTROL PANEL IS LOCATED TO THE FRONT OF THE FIXTURE.

