

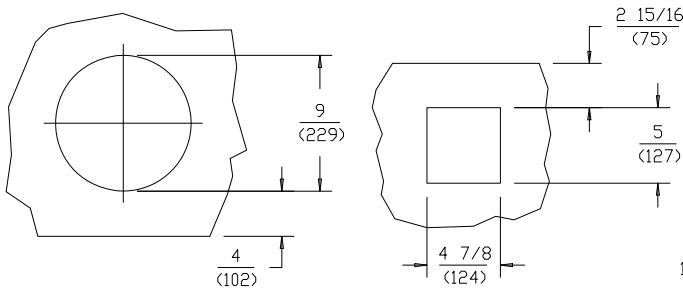
ELECTRICAL

INSTALLATION INSTRUCTIONS BUILT-IN ROUND FOOD AND LIQUID WARMERS WITH 7.3 INCH DEEP PAN

SM-50-7ULS-120
SM-50-7DULS-120

MODEL	VOLTS	WATTS	AMPS	PHASE	FIELD WIRING GAUGE	TEMP. RATING
SM-50-7ULS-120	120	825	6.9	SINGLE	14	90°C
SM-50-7DULS-120	120	825	6.9	SINGLE	14	90°C

CUTOUT DETAILS



TOP CUTOUT

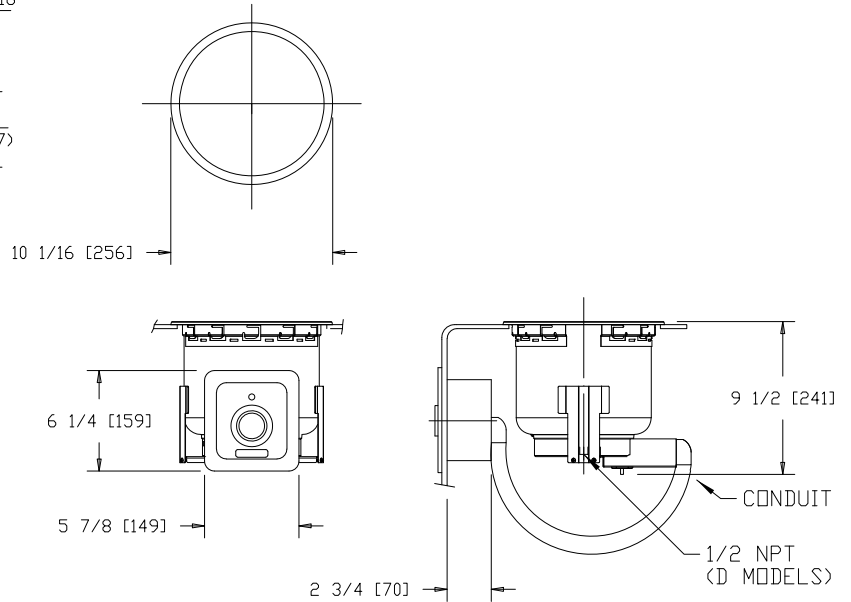
FRONT PANEL CUTOUT

CLEARANCES

MINIMUM CLEARANCE REQUIRED
UNIT TO THE NEAREST SURFACE

BACK	SIDE	BOTTOM	FRONT
$\frac{1}{(25)}$	$\frac{1}{(25)}$	$\frac{8}{(203)}$	$\frac{4}{(102)}$

PRODUCT DIMENSIONS



INSTALLATION INSTRUCTIONS

INSTALLER MUST MEET CONDITIONS OF ACCEPTABILITY
OUTLINED BELOW UPON INSTALLATION:

1. Required installation clearances:

Wooden and Metal Installation: DO NOT install closer than 4 inches to front wall, 1 inch to back and side walls, and 8 inches to a surface below the unit.

2. Unit shall be accessible for servicing from the bottom.

3. If storage is to be used underneath the unit, it is recommended that a baffle be placed 8 1/2 inches below the unit to avoid contact with elevated temperatures.

TO FABRICATE:

1. Lay out "cutout" dimensions on countertop and front apron.

2. Lay out and fabricate control panel holes in counter apron using the control box as a template.

3. Cut out holes (Note: "stiffening" around perimeter of the countertop cutout is not normally required).

TO INSTALL:

IMPORTANT - DO NOT disconnect lead wires from the Control Panel when installing.

1. Press the self sticking 'gray' gasket material along the perimeter of the appliance mounting flange, about 1/4 inch from the outside edge. Remove the paper backing as the gasket is applied.

RECOMMENDATION: Before final seating of modular section to countertop, apply a bead of silicone adhesive/sealant to the underside of warmer flange.

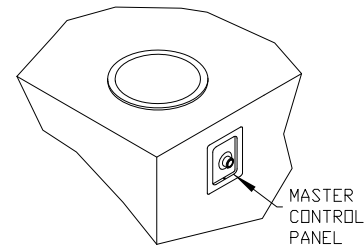
2. Locate warmer and control box over countertop cutout. Pass control box through countertop cutout and front panel cutout.

3. Seat warmer onto countertop and the mount control box into front panel cutout.

4. From underneath, insert screwdriver into slots on E-Z LOCK flange and twist outward (clockwise) to tighten unit down to countertop (see detail at right).

5. Mount the control panel to control box using screws supplied.

NOTE: INSTALLATION MUST MEET LOCAL PLUMBING AND ELECTRICAL CODES.



IMPORTANT:
MOUNT APPLIANCE SO THAT THE CONTROL PANEL
IS LOCATED TO THE FRONT OF THE FIXTURE.

