



## INSTALLATION INSTRUCTIONS

### Telescoping Duct Covers

## Duct Covers

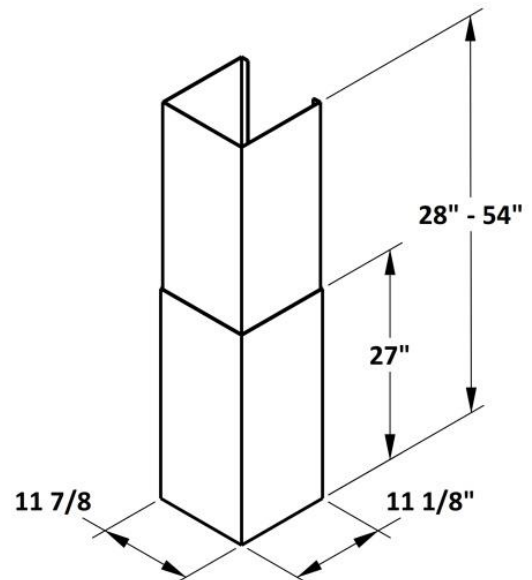
For use with Viking® Virtuoso Hood:

#### PARTS INCLUDED:

Bracket (1)  
Screws (2)

#### CONTENTS:

Part 1 - Planning The Installation  
Part 2 - Securing The Duct Cover



Note: example only; dimensions may vary



**CAUTION** – Edges of steel are extremely sharp. To ensure safety, wear gloves when handling all parts.



**IMPORTANT** – Handle duct cover sections with utmost care. Stainless steel is easily dented or warped if handled carelessly.



**TIP** – 2 people will make this job the easiest.

### **PART 1 Planning the Installation**

Measure and mark a vertical center line on the wall from the center point of the top of the hood up to the ceiling. Now align center point of bracket provided with center line on the wall with the top of the bracket touching the ceiling (or the point you want the duct cover to end at). There are many holes along bracket so choose which ones will hit the most studs and then use wood screws to secure bracket.

### **PART 2 Securing the Duct Cover**

Separate both pieces of the duct cover by sliding apart. Remove all of the plastic protective film. Then gently slide 2 pieces back together, making sure holes on the inner piece are oriented up not down. Avoid scratching them against each other.

Being careful to hold both pieces together, set duct cover set on top of hood (centered and against back wall). Slide upper piece up until holes on its side match holes on the bracket. Secure using screws provided.