



IMPORTANT FOR FUTURE REFERENCE

Please complete this information and retain this manual for the life of the equipment:

Model #: _____

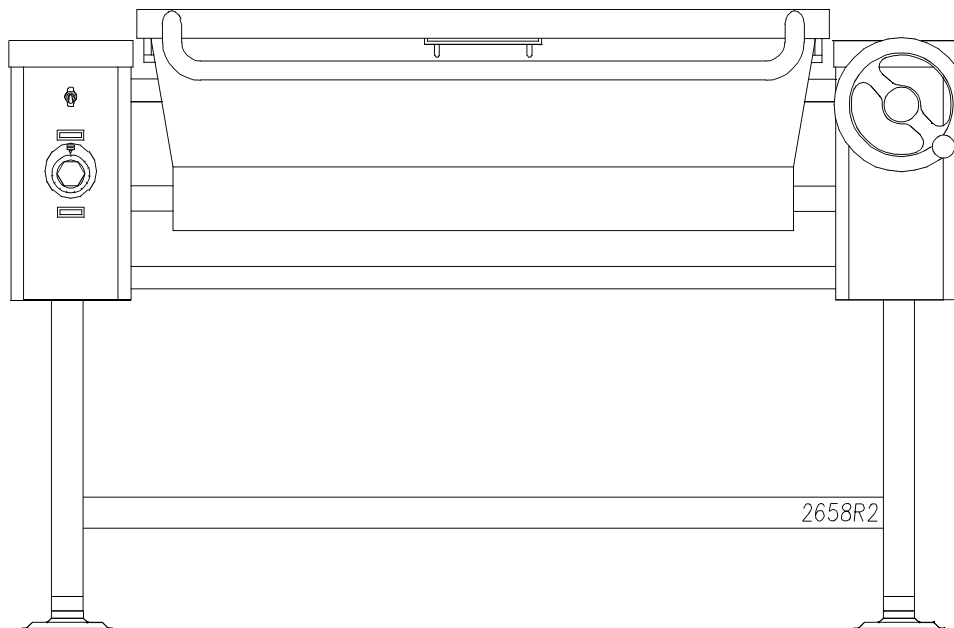
Serial #: _____

Date Purchased: _____

PARTS LIST

Electric Tilting Skillets

ETS-30 ETS-40



WARNING

Improper installation, adjustment, alteration, service or maintenance can cause property damage, injury or death. Read the installation, operating and maintenance instructions thoroughly before installing or servicing this equipment.

CROWN FOOD SERVICE EQUIPMENT

Division of Middleby Canada Company Inc.

70 Oakdale Road, Downsview (Toronto) Ontario, Canada, M3N 1V9

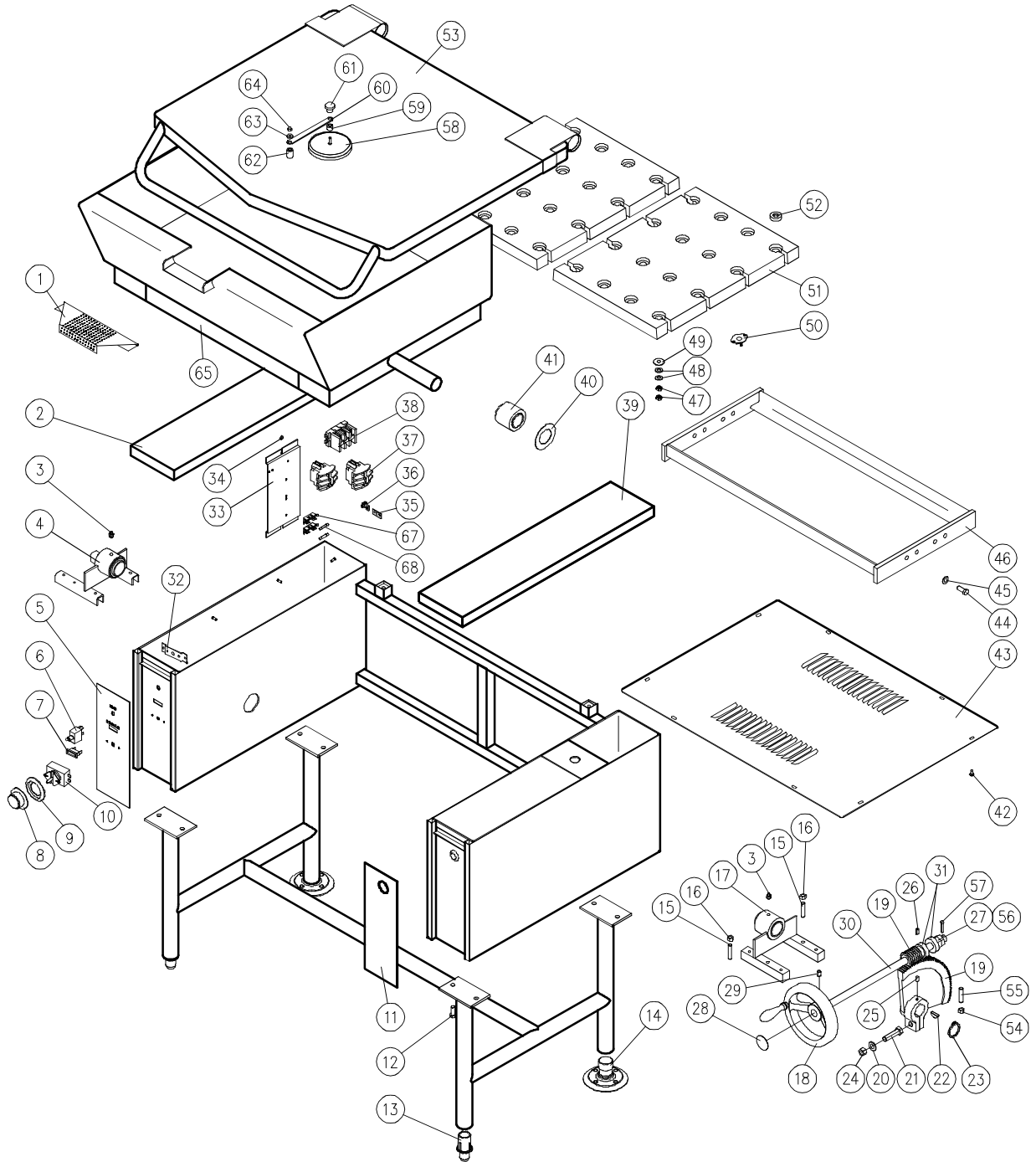
Telephone: 919-762-1000 www.crownsteamgroup.com

Printed in Canada



PARTS LIST, ELECTRIC TILTING SKILLETS, MODELS: ETS-30, ETS-40

FIGURE 1



5979R0

PARTS LIST, ELECTRIC TILTING SKILLETS, MODELS: ETS-30, ETS-40

FIGURE 1

<u>ITEM</u>	<u>PART NO.</u>	<u>DESCRIPTION</u>	<u>QUANTITY</u>	<u>QUANTITY</u>	
			<u>30</u>	<u>40</u>	
1.	7380-1	Strainer	1	1	
2.	4903-1	Left Hand Console Cover	1	1	
3.	4898-1	Grease Nipple	2	2	
4.	6960-1	Trunnion Housing Assembly	1	1	
5.	3185-1	Left Hand Console Decal	1	1	
6.	9110-1	Power Switch	1	1	
7.	4-PL08	Pilot Light	1	1	
**	8.	4736-1	Dial (°F)	1	1
		4737-1	Dial (°C)	1	1
9.	4-TB05	Bezel	1	1	
10.	4-TH47	Thermostat	1	1	
*		3828-1	Clamp, Thermostat Bulb	1	1
11.	6408-1	Right Hand Console Decal	1	1	
12.	1-75C8	Bolt, 3/8 - 16 x 1"	8	8	
13.	5-FS64	Adjustable Foot	2	2	
14.	8-1308	Flanged Adjustable Foot	2	2	
15.	9061-6	Set Screw, 3/8 - 16 x 1-3/4"	2	2	
16.	1-79C0	Nut, 3/8 - 16	2	2	
17.	6952-1	Trunnion Housing Assembly	1	1	
18.	8-2054	Hand Wheel	1	1	
19.	5393-1	Segment Gear & Worm Gear Kit (Includes 20 to 26)			
20.	1-W4C0	Lock Washer, 1/2"	1	1	
21.	2-96C8	Bolt, 1/2 - 13 x 2"	1	1	

PARTS LIST, ELECTRIC TILTING SKILLETS, MODELS: ETS-30, ETS-40

<u>ITEM</u>	<u>PART NO.</u>	<u>DESCRIPTION</u>	<u>QUANTITY</u>	<u>QUANTITY</u>	
			<u>30</u>	<u>40</u>	
22.	1-K8U8	Woodruff Key	1	1	
23.	1-R315	Retaining Clip	1	1	
24.	1-99C0	Nut, 1/2 -13	1	1	
25.	1-52U4	Set Screw, 1/4 - 20 x 1/2"	1	1	
26.	2-T6U5	Tension Pin, 3/16" D x 1-1/4" L	1	1	
27.	2-HN66	Jam Nut, 3/4 - 16	2	2	
28.	9-3374	Decal Tilt	1	1	
29.	9075-4	Set Screw, 3/8 - 16 x 5/8"	1	1	
30.	6738-1	Tilt Shaft	1	1	
31.	5327-1	Thrust Bearing	2	2	
32.	4473-1	Thermostat Mounting Bracket	1	1	
33.	9-3237	Component Mounting Plate	1	1	
34.	1-39C0	Hex Nut 10 - 32	1	1	
35.	4188-1	Earth ID Tag	1	1	
36.	4-70EU	Ground Lug	1	1	
**	37.	4-NG41	Contactor, 208V, 220V, 240V	2	-
		4-NG41	Contactor, 380V, 416V, 480V	1	-
		4-NG41	Contactor, 220/380V, 240/416V	1	1
		4-CG42	Contactor, 208V, 220V, 240V	-	2
		4-CG42	Contactor, 380V, 416V, 480V	-	1
	38.	4-33TB	Terminal Block	3	3
		4-33ES	End Section	1	1
**	39.	3450-1	Right Hand Console Cover	1	1
		4902-1	Right Hand Console Cover Faucet Mounting	1	1
	40.	3625-1	Washer	2	2

PARTS LIST, ELECTRIC TILTING SKILLETTS, MODELS: ETS-30, ETS-40

<u>ITEM</u>	<u>PART NO.</u>	<u>DESCRIPTION</u>	<u>QUANTITY</u>	<u>QUANTITY</u>	
			<u>30</u>	<u>40</u>	
41.	3462-1	Spacer	2	2	
42.	1-33C4	Screw, 10 - 32 x 1/2"	8	8	
43.	8022-1	Bottom Cover	1	-	
43.	8023-1	Bottom Cover	-	1	
44.	1-75C7	Bolt, 3/8 - 16 x 7/8"	8	8	
45.	1-70C0	Lock Washer, 3/8"	8	8	
46.	8020-1	Element Block Tie Down	1	-	
	8021-2	Element Block Tie Down	-	1	
47.	1-79C0	Nut, 3/8 - 16	58	80	
48.	9063-1	Bellville Washer	58	80	
49.	F01C-516	Flat Washer, 5/16"	29	40	
50.	4874-2	High-Limit	2	3	
**	51.	7545-208	Element Asm, 6 kW, 208V	2	
		7545-220	Element Asm, 6 kW, 220(380)V	2	
		7545-240	Element Asm, 6 kW, 240(415)V	2	
		7545-277	Element Asm, 6 kW, 277V(480)V	2	
		7547-208	Element Asm, 6 kW, 208V		3
		7547-220	Element Asm, 6 kW, 220(380)V		3
		7547-240	Element Asm, 6 kW, 240(415)V		3
		7547-277	Element Asm, 6 kW, 277(480)V		3
		8090-208	Element Asm, 9 kW, 208V	2	
		8090-220	Element Asm, 9 kW, 220(380)V	2	
		8090-240	Element Asm, 9 kW, 240(415)V	2	
		8090-277	Element Asm, 9 kW, 277(480)V	2	
		8091-208	Element Asm, 208V, 9 kW		3

PARTS LIST, ELECTRIC TILTING SKILLETS, MODELS: ETS-30, ETS-40

<u>ITEM</u>	<u>PART NO.</u>	<u>DESCRIPTION</u>	<u>QUANTITY</u>	<u>QUANTITY</u>
			<u>30</u>	<u>40</u>
**	51.	8091-220		3
		8091-240		3
		8091-277		3
	52.	3599-1	29	40
	53.	7386-2	1	-
		7387-2	-	1
	54.	1-79C0	1	1
	55.	9061-6	1	1
	56.	5328-1	1	1
	57.	5329-1	1	1
	58.	4139-1	1	1
	59.	5837-1	1	1
	60.	5817-1	1	1
	61.	9248-1	1	1
	62.	5836-1	1	1
	63.	F05N-14	1	1
	64.	9031-5	1	1
	65.	8016-1	1	
		8018-1		1
*	66.	8017-1	1	
		8019-1		1
**	67.	9068-1	2	2
		9068-1	1	1
		9002-1	2	2

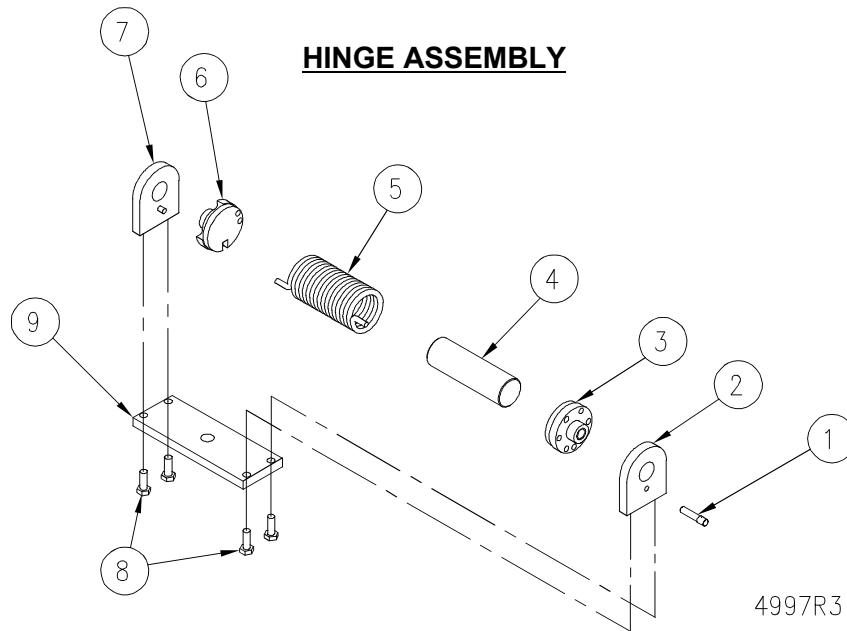
PARTS LIST, ELECTRIC TILTING SKILLETS, MODELS: ETS-30, ETS-40

<u>ITEM</u>	<u>PART NO.</u>	<u>DESCRIPTION</u>	<u>QUANTITY</u> <u>30</u>	<u>QUANTITY</u> <u>40</u>	
**	68.	9092-3	Fuse, Glass, 3 Amp., 250V (208, 220, 240V)	2	2
		9092-3	Fuse, 3 Amp. 250V (380/220, 415/240V)	1	1
		9001-2	Fuse, 1/2 Amp., 600V, (380, 415, 480V)	2	2
* **	69.	4-T251	Transformer, 380/415V-240V, 50/60 Hz, 100 VA	1	1
		4-T255	Transformer, 480-240V, 50/60 Hz, 100 VA	1	1

* NOT SHOWN.

** SELECT AS REQUIRED.

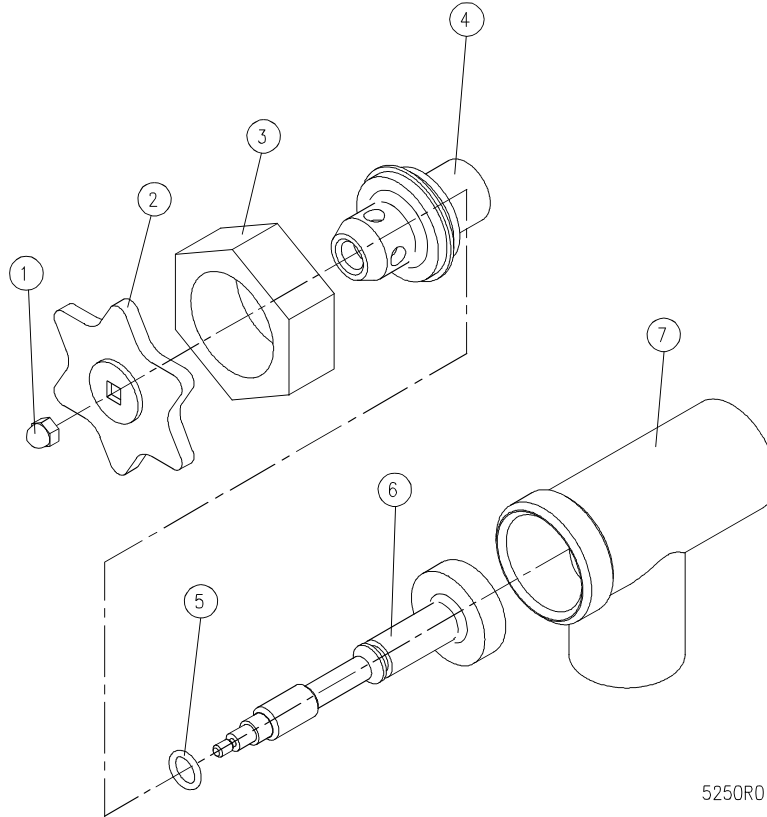
PARTS LIST, ELECTRIC TILTING SKILLETS, MODELS: ETS-30, ETS-40



<u>ITEM</u>	<u>PART NO.</u>	<u>DESCRIPTION</u>	<u>QUANTITY</u>
	9-3185	LARGE HINGE ASSEMBLY	
1.	8-2029	Lock Pin	1
2.	8-2035L	End Lock Plate	1
3.	5428-1	Stationary Disc	1
4.	5430-1	Core	1
5.	8-2026	Spring	1
6.	5429-1	Rotary Disc	1
7.	8-2021	End Stop Plate	1
8.	1-56S6	Cap Screws, 1/4-20 x 3/4, Stainless Steel	4
9.	3730-1	Base Plate	1

PARTS LIST, ELECTRIC TILTING SKILLETS, MODELS: ETS-30, ETS-40

DRAW-OFF VALVE



5250R0

<u>ITEM</u>	<u>PART NO.</u>	<u>DESCRIPTION</u>	<u>QUANTITY</u>
	3-D015	1-1/2" DRAW OFF VALVE ASSEMBLY	
1.	9031-3	Acorn Nut 10 - 24 UNC	1
2.	4115-1	Handle, Stainless Steel	1
3.	3-DV13	Gland Nut	1
4.	3-DV14	Bonnet	1
5.	3-DV16	"O" Ring	1
6.	3-DV15RV	Stem Assembly	1
7.	3-DV17	Valve Body	1

PARTS LIST, ELECTRIC TILTING SKILLETS, MODELS: ETS-30, ETS-40

<u>ITEM</u>	<u>PART NO.</u>	<u>DESCRIPTION</u>	<u>QUANTITY</u>
	3-D020	2" DRAW OFF VALVE ASSEMBLY	
1.	9031-3	Acorn Nut 10 - 24 UNC	1
2.	4115-1	Handle, Stainless Steel	1
3.	3-DV23	Gland Nut	1
4.	3-DV24	Bonnet	
5.	3-DV26	"O" Ring	1
6.	3-DV25RV	Stem Assembly	1
7.	3-DV27	Valve Body	1

<u>ITEM</u>	<u>PART NO.</u>	<u>DESCRIPTION</u>	<u>QUANTITY</u>
	3-D030	3" DRAW OFF VALVE ASSEMBLY	
1.	3-DV31	Acorn Nut, 7/16 - 14 UNC	1
2.	3-DV32	Handle, Stainless Steel	1
3.	3-DV33	Gland Nut	1
4.	3-DV34	Bonnet	1
5.	3-DV36	"O" Ring	1
6.	3-DV35RV	Stem Assembly	1
7.	3-DV37	Valve Body	1