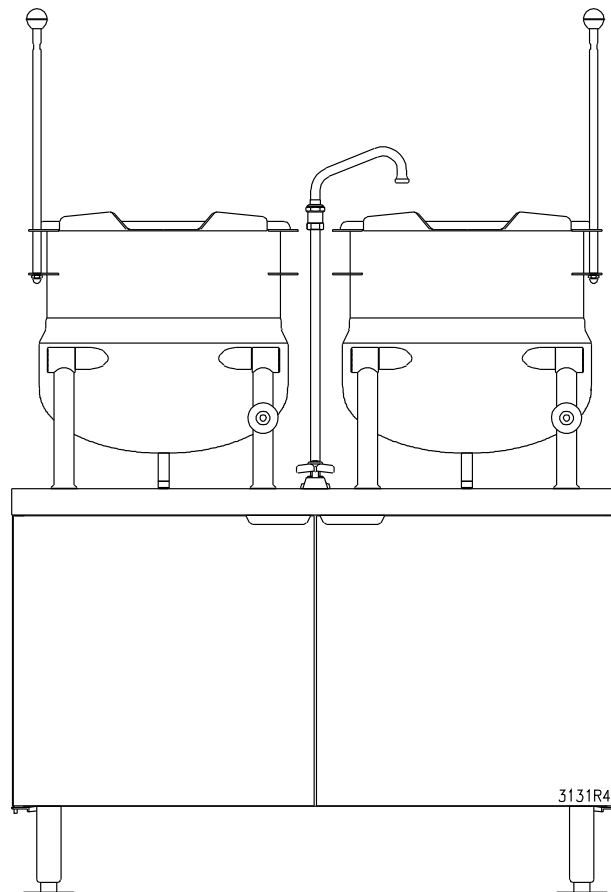




IMPORTANT FOR FUTURE REFERENCE
 Please complete this information and retain this manual for the life of the equipment:
 Model #: _____
 Serial #: _____
 Date Purchased: _____

PARTS LIST

8 A H! * !ff 2/\$2/&L 8 A H! % \$!ff 2/\$2/&L 8 A H! % &!ff 2/\$2/&L



⚠ WARNING

Improper installation, adjustment, alteration, service or maintenance can cause property damage, injury or death. Read the installation, operating and maintenance instructions thoroughly before installing or servicing this equipment.

CROWN FOOD SERVICE EQUIPMENT

A Middleby Company

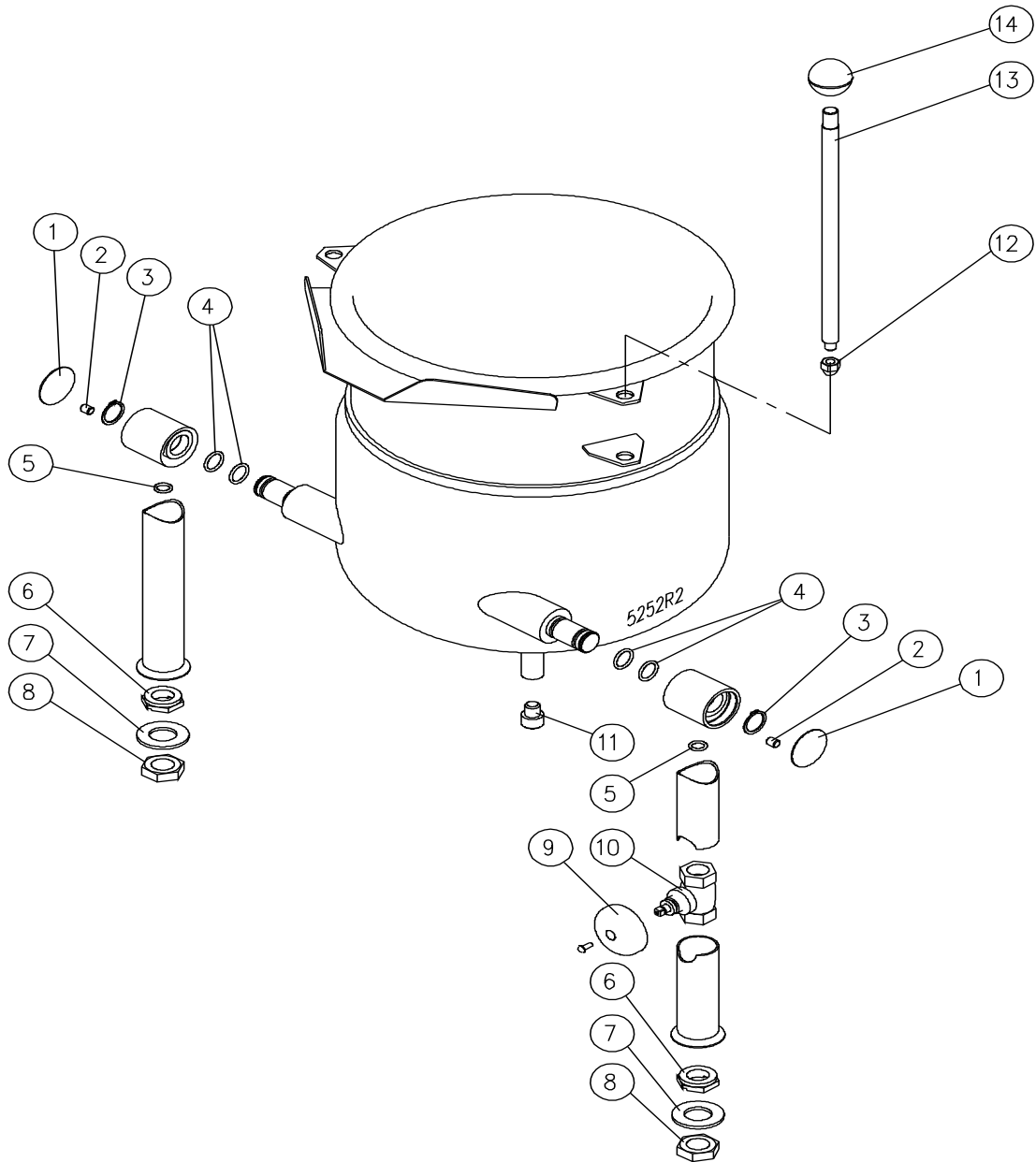
70 Oakdale Road, Downsview (Toronto) Ontario, Canada, M3N 1V9
 Telephone: 919-762-1000 www.crownsteamgroup.com

Printed in Canada



PARTS LIST, DIRECT STEAM KETTLES MOUNTED ON CABINET BASE,
MODELS DMT-6-(6, 10, 12), DMT-10-(6, 10, 12), DMT-12-(6, 10, 12)

FIGURE 1



PARTS LIST, DIRECT STEAM KETTLES MOUNTED ON CABINET BASE,
 MODELS DMT-6-(6, 10, 12), DMT-10-(6, 10, 12), DMT-12-(6, 10, 12)

FIGURE 1

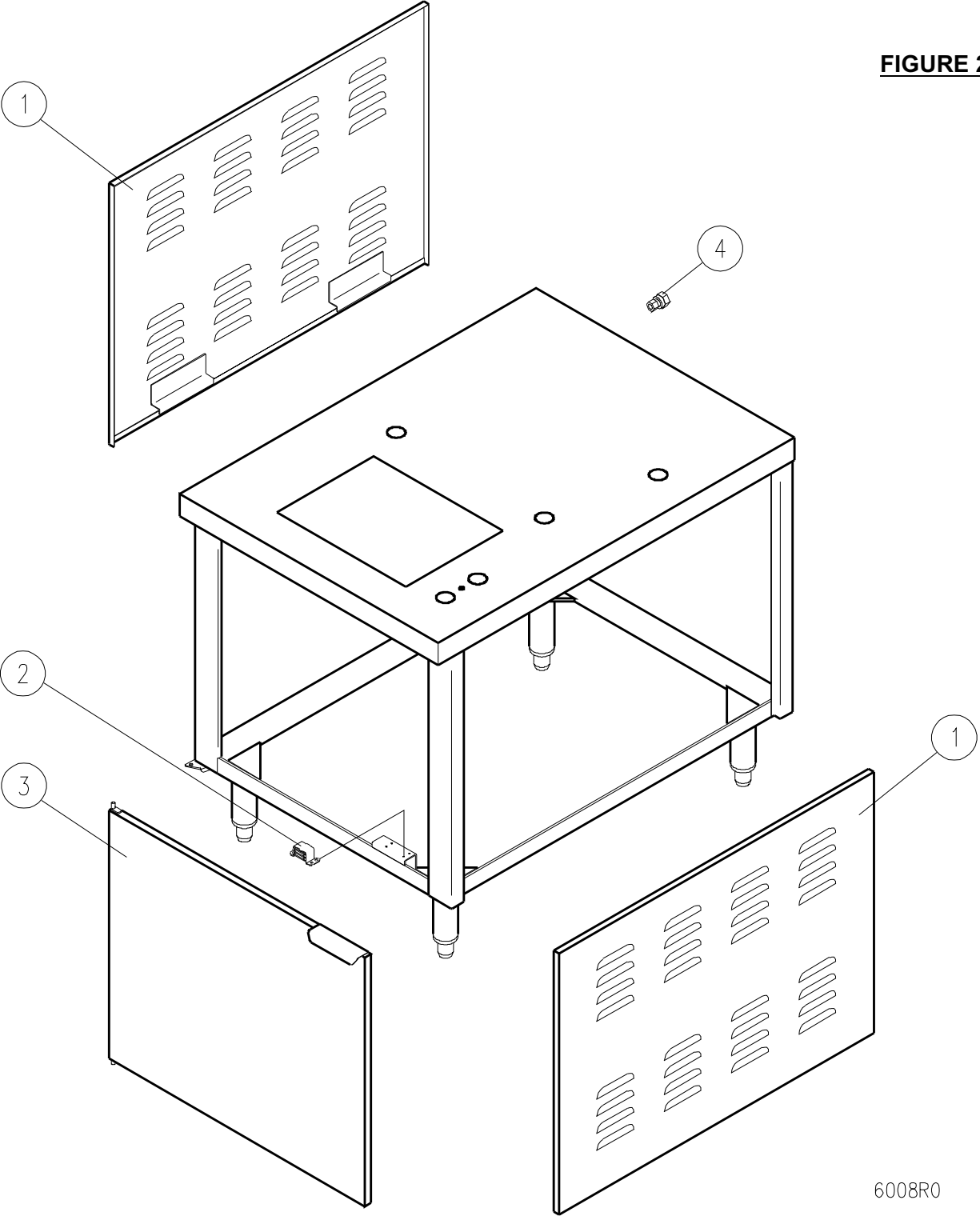
<u>ITEM</u>	<u>PART NO.</u>	<u>DESCRIPTION</u>	<u>QTY.</u>	
1.	3819-1	Hole Plug	2	
2.	9061-9	Hex Socket Set Screw, Cup Point 5/16-18 UNC x 3/8 Lg.	2	
3.	9047-87	External Retaining Ring, \varnothing 7/8 Shaft	2	
4.	2-115R	O Ring Seal, 7/8 OD x 11/16 ID	4	
5.	2-014R	O Ring Seal, 5/8 OD x 1/2 ID	2	
6.	3796-1	Foot Nut, Brass, 1/2-14 NPSL	2	
7.	2-W0C7	Flat Washer, 1-3/4 OD x 31/32 ID x 1/8 Thk	2	
8.	3-D034	Nut, Brass, 1/2-14 NPS	2	
9.	3-SC06	Steam Control Knob	1	
10.	3-SC11	Steam Control Valve	1	
11.	3520-1	Foot, Nylon	1	
12.	9031-7	Acorn Nut, 3/8-16 UNC	1	
13.	3589-1	Tilt Handle	1	
14.	2-KB01	Knob, Red	1	
**	15.	3799-1	Condensate Leg Assembly (6 Gallon)	1
		3799-2	Condensate Leg Assembly (10, 12 Gallon)	1
**	16.	3800-1	Steam in Leg Assembly (6 Gallon)	1
		3800-2	Steam in Leg Assembly (10, 12 Gallon)	1
**	17.	9085-1	O Ring Lubricant, 2 Grams, - 65°F to 400°F	1

* NOT SHOWN.

** SELECT AS REQUIRED.

PARTS LIST, DIRECT STEAM KETTLES MOUNTED ON CABINET BASE,
MODELS DMT-6-(6, 10, 12), DMT-10-(6, 10, 12), DMT-12-(6, 10, 12)

FIGURE 2



6008R0

PARTS LIST, DIRECT STEAM KETTLES MOUNTED ON CABINET BASE,
 MODELS DMT-6-(6, 10, 12), DMT-10-(6, 10, 12), DMT-12-(6, 10, 12)

FIGURE 2

CABINET 28" HEIGHT

<u>ITEM</u>	<u>PART NO.</u>	<u>DESCRIPTION</u>	<u>24" WIDE</u> <u>QTY.</u>	<u>36" WIDE</u> <u>QTY.</u>	<u>42" WIDE</u> <u>QTY.</u>	
1.	3563-1	Lower Panel Assembly	2	2	2	
2.	5-MC02	Magnetic Catch	1	2	2	
*	M93X-632-14	Pan Hd. Screw, # 6-32 UNC x 1/4 Lg.	4	8	8	
**	3.	3373-1	Door Assembly, 23-3/4W x 20H	1		
*	3204-1	Door Assembly, R.H. 17-7/8W x 20H		1		
*	3209-1	Door Assembly, L.H. 17-7/8 W x 20 H		1		
*	6009-1	Door Assembly, R.H. 20-7/8 W x 20H			1	
*	6010-1	Door Assembly, L.H. 20-7/8 W x 20 H			1	
4.	3-666D	Connector, Brass, 3/8 C x 1/2 FPT	1	1	1	
* NOT SHOWN.						
** SELECT AS REQUIRED.						