



IMPORTANT FOR FUTURE REFERENCE	
Please complete this information and retain this manual for the life of the equipment:	
Model #:	_____
Serial #:	_____
Date Purchased:	_____

PLATINUM SERIES HALF-SIZE GAS CONVECTION OVEN PARTS MANUAL

PCHG30S/S
PCHG30S/T

PCHG60S/S
PCHG60S/T



Model PCHG30S/T



Model PCHG60S/S

SOUTHBEND
MIDDLEBY A Middleby Company

1100 Old Honeycutt Road Fuquay-Varina, North Carolina 27526 USA
www.southbendnc.com



PARTS

NOTICE

INSTALLATION OF OTHER THAN GENUINE SOUTHBEND PARTS WILL VOID THE WARRANTY ON THIS EQUIPMENT.

The serial plate with voltage, model, and serial information is located inside the lower front panel of the oven.

Replacement parts may be ordered either through a Southbend Authorized Parts Distributor or a Southbend Authorized Service Agency.

When ordering parts, please supply the Model Number, Serial Number, Part Number, Description, Finish, and Electrical Characteristics as applicable.

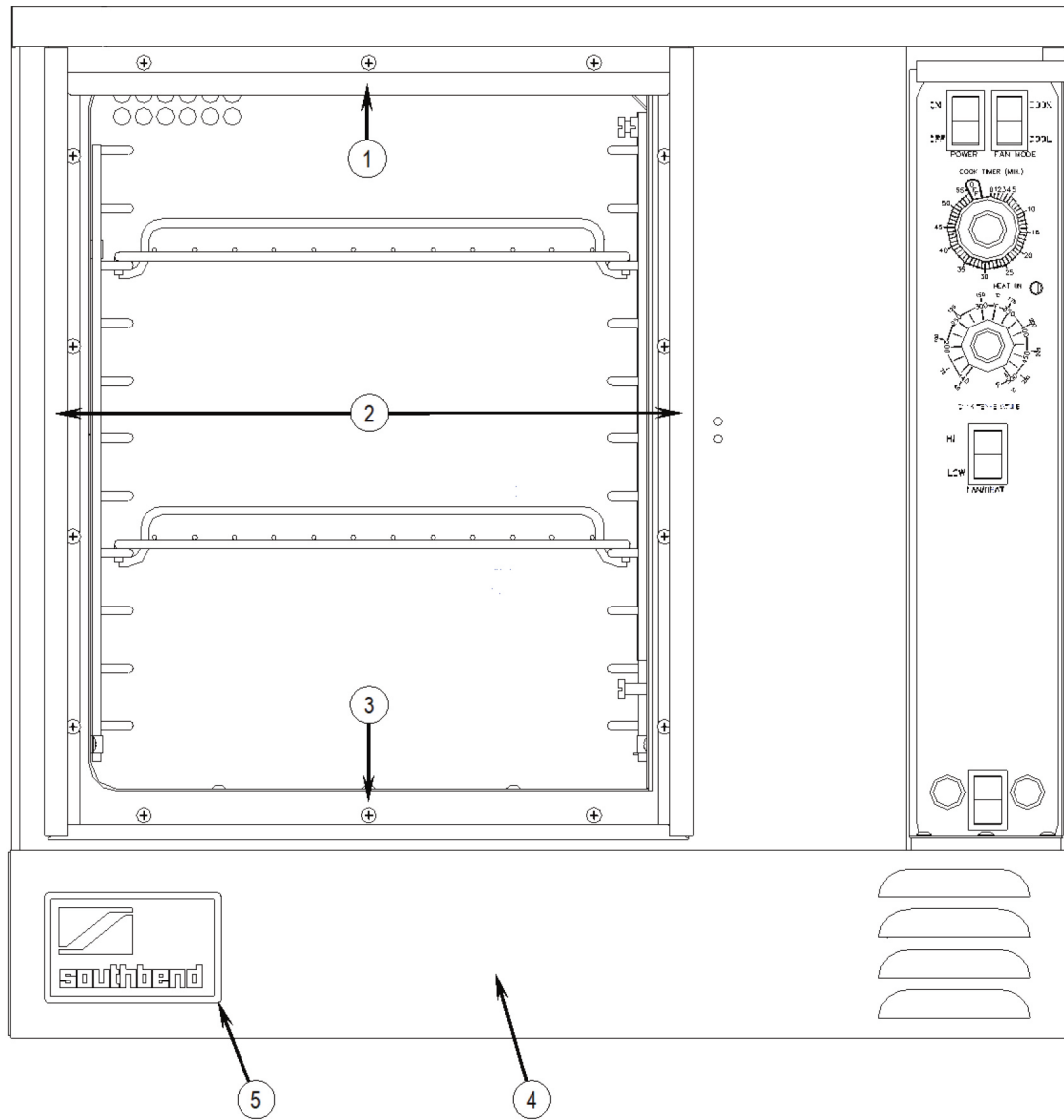
For parts not listed, consult a Southbend Authorized Parts Distributor or Southbend Authorized Service Agency. Consult the Southbend Authorized Parts/Service Distributor list for the Authorized Parts supplier in your area.

INDEX OF PARTS DIAGRAMS	
PAGE NUMBER	DESCRIPTION
3	Vent Knob, Door Gaskets, and Front Louver Panel Parts
4	Door, Door Latch, and Shutdown Switch Parts
6	Control Panel Parts for Models with Standard Controls (SC Models)
8	Control Panel Parts for 120 Volt Models with Touchscreen
9	Control Panel Parts for 208/480 Volt Models with Touchscreen
10	Internal Gas Supply Parts
11	Burner Parts
12	Oven Interior and Side-Compartment Parts
14	Leg Parts for Single-Deck Models
15	Storage Rack Parts
16	Double-Deck Oven Stacking Parts
17	Leg Parts for Double-Deck Ovens

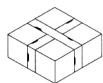
Control Panel Parts for 120 Volt Models with Touchscreen

VENT KNOB, DOOR GASKETS, AND FRONT LOUVER PANEL PARTS

Figure 41

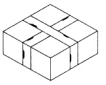


KEY	PART NUMBER	QTY	DESCRIPTION
1	1177481	1	Seal, top door
2	1177480	2	Seal, left & right door
3	1177496	1	Seal, bottom door
4	1181330	1	Panel, louver front
5	1172716	1	Nameplate, Southbend

**DOOR, DOOR LATCH, AND SHUTDOWN SWITCH PARTS**

See drawing on following page.

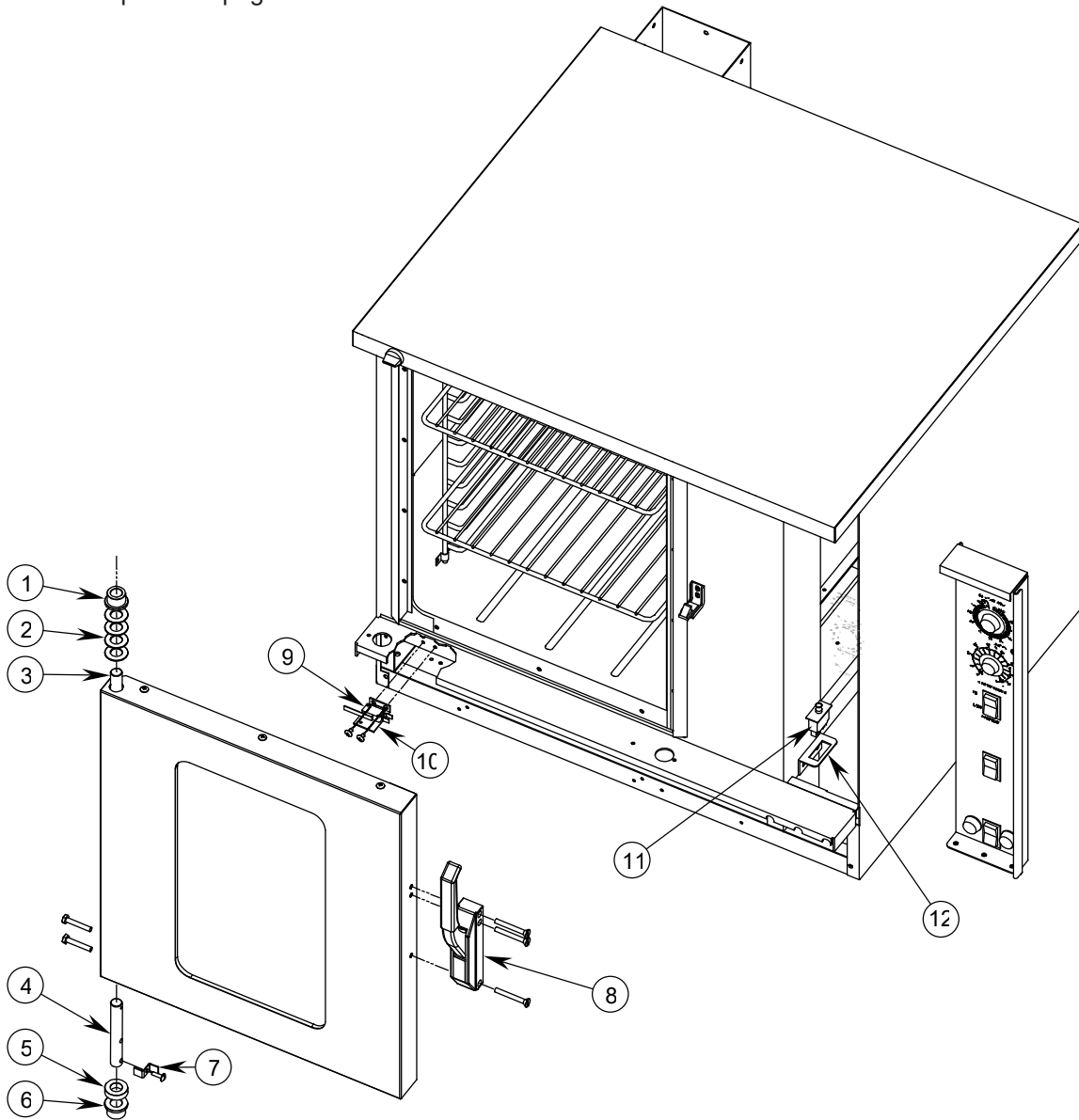
KEY	PART NUMBER	QTY	DESCRIPTION
1	1164527	1	Bushing-upper, bronze (Oilite)
2	1092000	4	Bearing-upper, thrust (Oilite)
3	1177550	1	Pin-upper, door
4	1177549	1	Pin-lower, door
5	1164547	1	Bearing-lower, thrust (Oilite)
6	1164527	1	Bushing-lower, bronze (Oilite)
7	1179899	1	Actuator, door switch
8	1180938	1	Latch & striker, door
9	1177567	1	Switch, door
10	1179900	1	Bracket, door switch
11	1177566	1	Switch, shutdown
12	1177495	1	Bracket, shutdown switch



DOOR, DOOR LATCH, AND SHUTDOWN SWITCH PARTS

Figure 42

See parts list on previous page.



CONTROL PANEL PARTS FOR MODELS WITH STANDARD CONTROLS (SC MODELS)

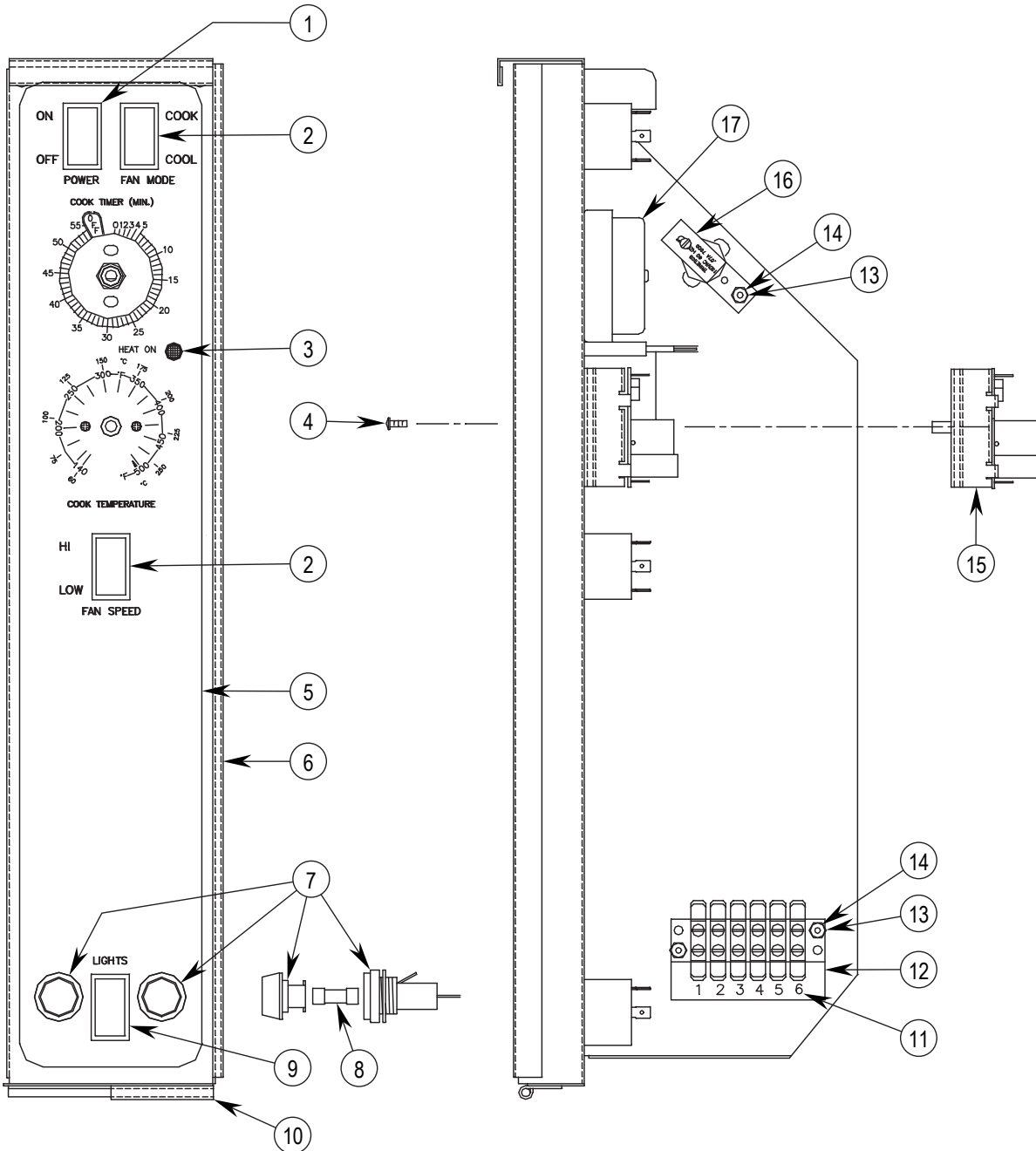
See drawing on following page.

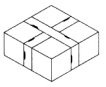
KEY	PART NUMBER	QTY	DESCRIPTION
1-17	1179707	1	Control panel s/a, SC, 60Hz, M-Gold, 208/380/415V (assembled, w/o wiring harness)
	1179656	1	Control panel s/a, SC, 60Hz, M-Gold, 480V (assembled, w/o wiring harness)
*	1179593	1	Wiring harness, SC
1	1177541	1	Rocker switch-DPST- (on-off)
2	1177540	2	Rocker switch-SPDT (on-on)
3	1170350	1	Light, amber, 240V, signal
4	6600334	2	Screw, 6-32, 3/8
5	1177785	1	Polypanel, M-Gold
6	1177556	1	Front control panel
7	1170424	2	Fuse holder
8	1170425	2	Fuse, 12 amp #LP-CC-12 low peak
9	1177642	1	Plug, square
10	1175046	1	Left control panel hinge
11	1170336	1	Marker strip
12	1170335	1	Terminal block
13	6600430	3	Locknut, 8-32
14	1146397	3	Screw 8-32 x 5/8 s/steel pan head
15	1181998	1	Cntl board/analog potentiometer
16	1175708	1	Buzzer, adjustable, 240VAC
17	1176416	1	Timer, motorized, 240V, 60Hz
	1176436	1	Timer, motorized, 240V, 50Hz
*	1172753	1	Thermostat probe (for units built before October 1, 2000)
	1181996	1	Thermostat probe (for units built on or after October 1, 2000)
*	1170337	2	Control knob
*	1166609	10	Ties, cable, ty-rap, 4"

* not shown on drawing.

CONTROL PANEL PARTS FOR MODELS WITH STANDARD CONTROLS (SC MODELS)

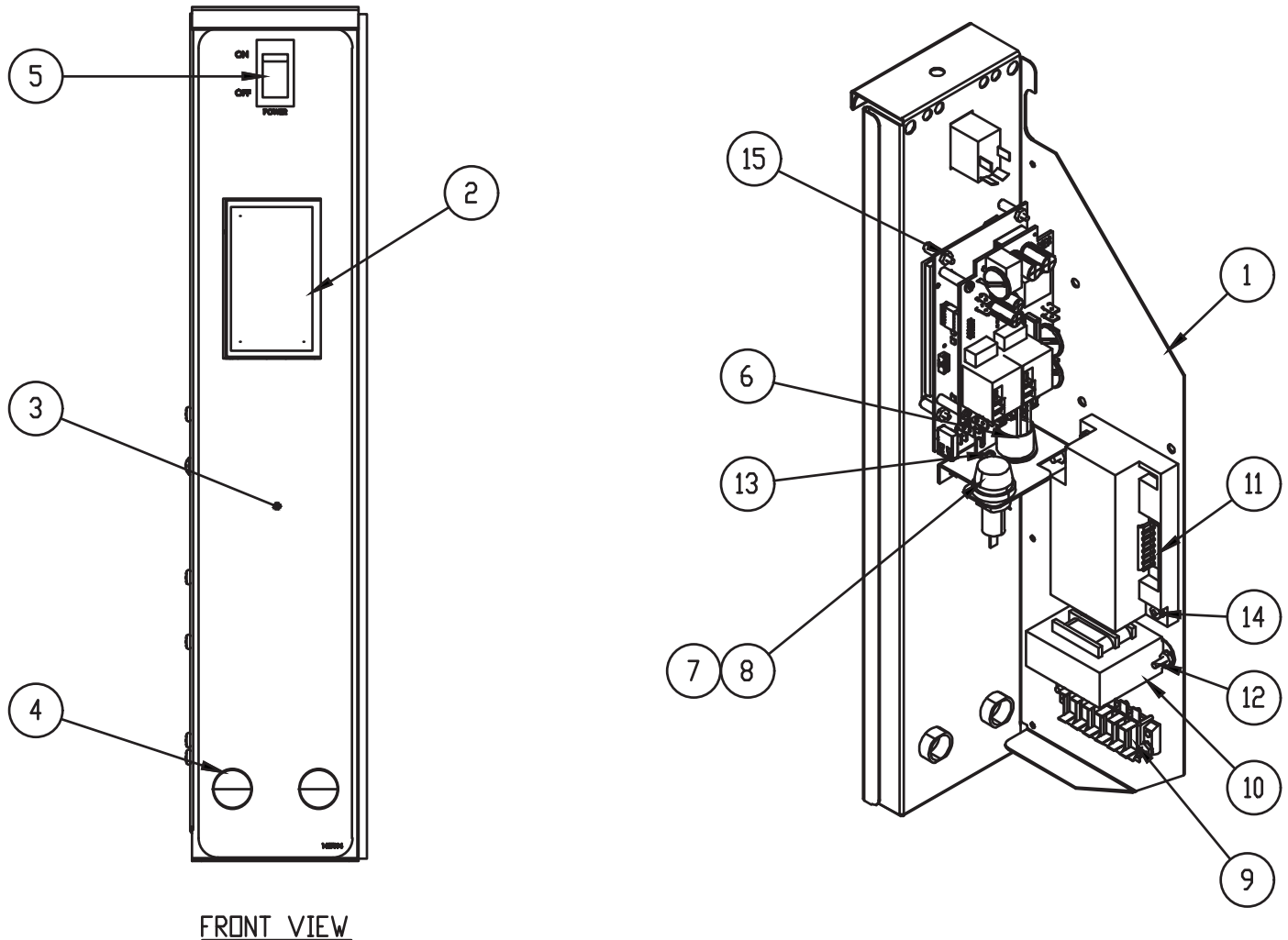
See parts list on previous page.





CONTROL PANEL PARTS FOR 120 VOLT MODELS WITH TOUCHSCREEN

Figure 44

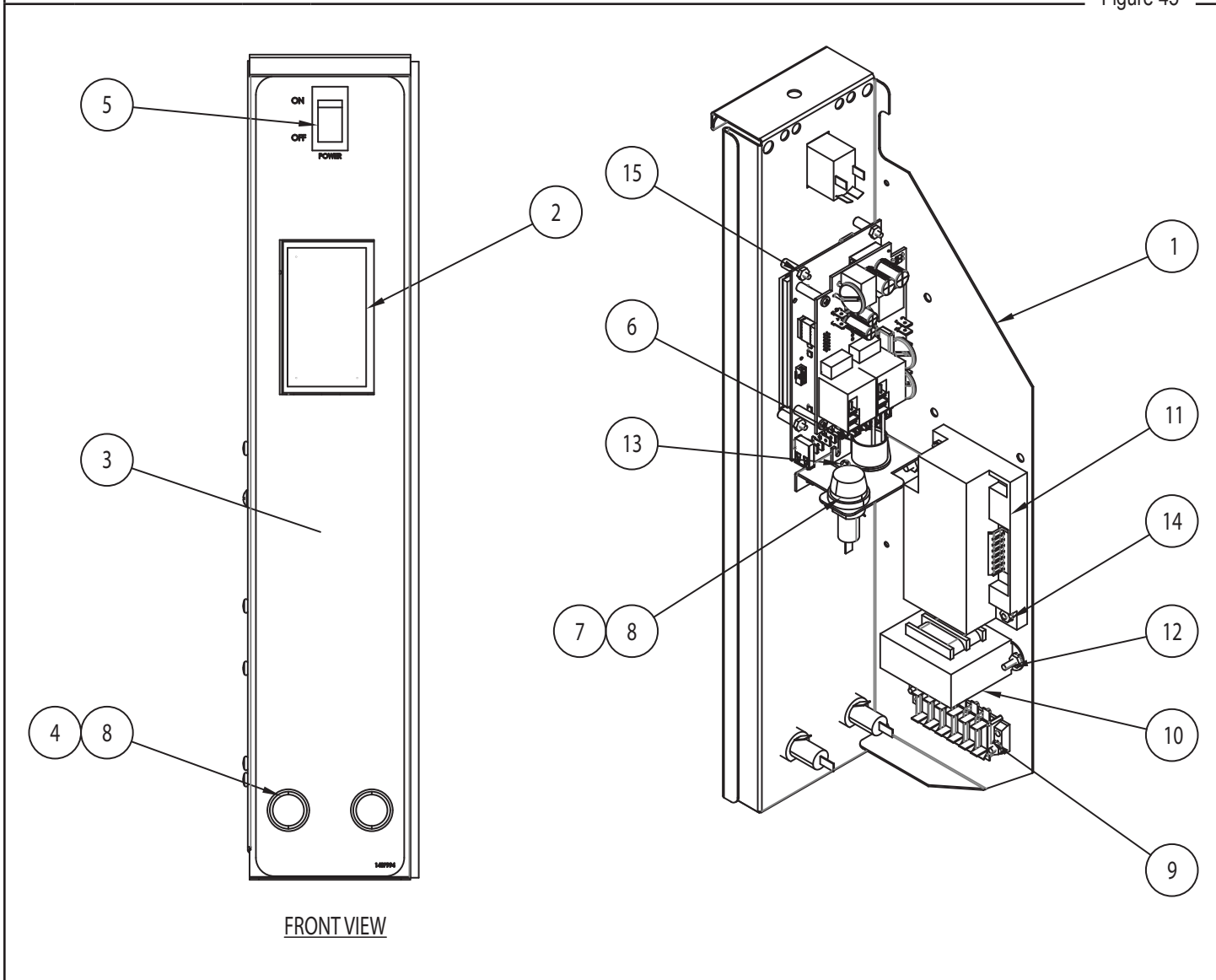


FRONT VIEW

KEY	PART NUMBER	QTY	DESCRIPTION
1	1408029	1	FRONT, CONTROL PANEL ASSEMBLY, TC, HALF
2	1407381	1	CONTROL, TOUCHSCREEN, C/O
3	1407994	1	POLYPNL, TOUCHSCREEN, HALF
4	1177564	2	PLUG, ROUND PLASTIC
5	1177541	1	SWITCH, BLACK SMOOTHED (POWER)
6	1408027	1	BUZZER ASSEMBLY, C/O
7	1408028	1	FUSE, LP-CC-2 AMP
8	1170424	1	FUSEHOLDER
9	1408012	1	WIRING HARNESS, TC, 120V, GAS
10	1172277	1	TRANSFORMER 120/208/24-240V
11	1175723	1	IGNITION CONTROL MODULE
12	1146397	6	SCREW, 8-32X5/8, SS, PHIL, PAN HD
13	1146319	2	SCREW, 6-32X1/2 ROUND HD
14	2001347	6	NUT, KEPS 8-32 ZP
15	1146400	6	NUT, 6-32, HEX, ZINC

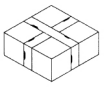
CONTROL PANEL PARTS FOR 208/240 VOLT MODELS WITH TOUCHSCREEN

Figure 45



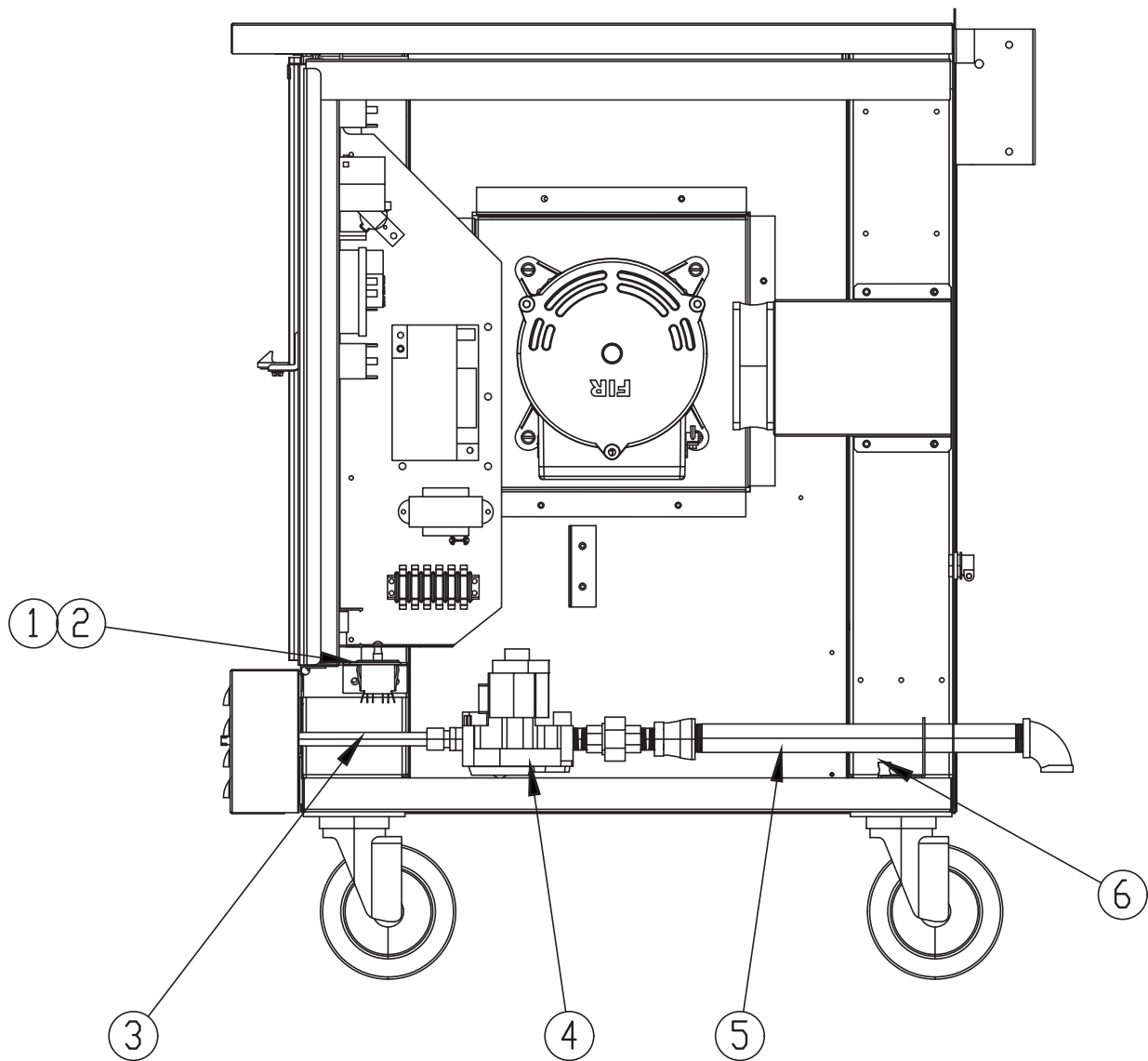
FRONT VIEW

KEY	PART NUMBER	QTY	DESCRIPTION
1	1408029	1	FRONT, CONTROL PANEL ASSEMBLY, TC, HALF
2	1407381	1	CONTROL, TOUCHSCREEN, C/O
3	1407994	1	POLYPNL, TOUCHSCREEN, HALF
4	1170425	2	FUSE, LP-CC-12 AMP
5	1177541	1	SWITCH, BLACK SMOOTHED (POWER)
6	1408027	1	BUZZER ASSEMBLY, C/O
7	1408028	1	FUSE, LP-CC-2 AMP
8	1170424	3	FUSEHOLDER
9	1508013	1	WIRING HARNESS, TC, 208/240V, GAS
10	1172277	1	TRANSFORMER 120/208/24-240V
11	1175723	1	IGNITION CONTROL MODULE
12	1146397	6	SCREW, 8-32X5/8, SS, PHIL, PAN HD
13	1146319	2	SCREW, 6-32X1/2 ROUND HD
14	2001347	6	NUT, KEPS 8-32 ZP
15	1146400	6	NUT, 6-32, HEX, ZINC



INTERNAL GAS SUPPLY PARTS

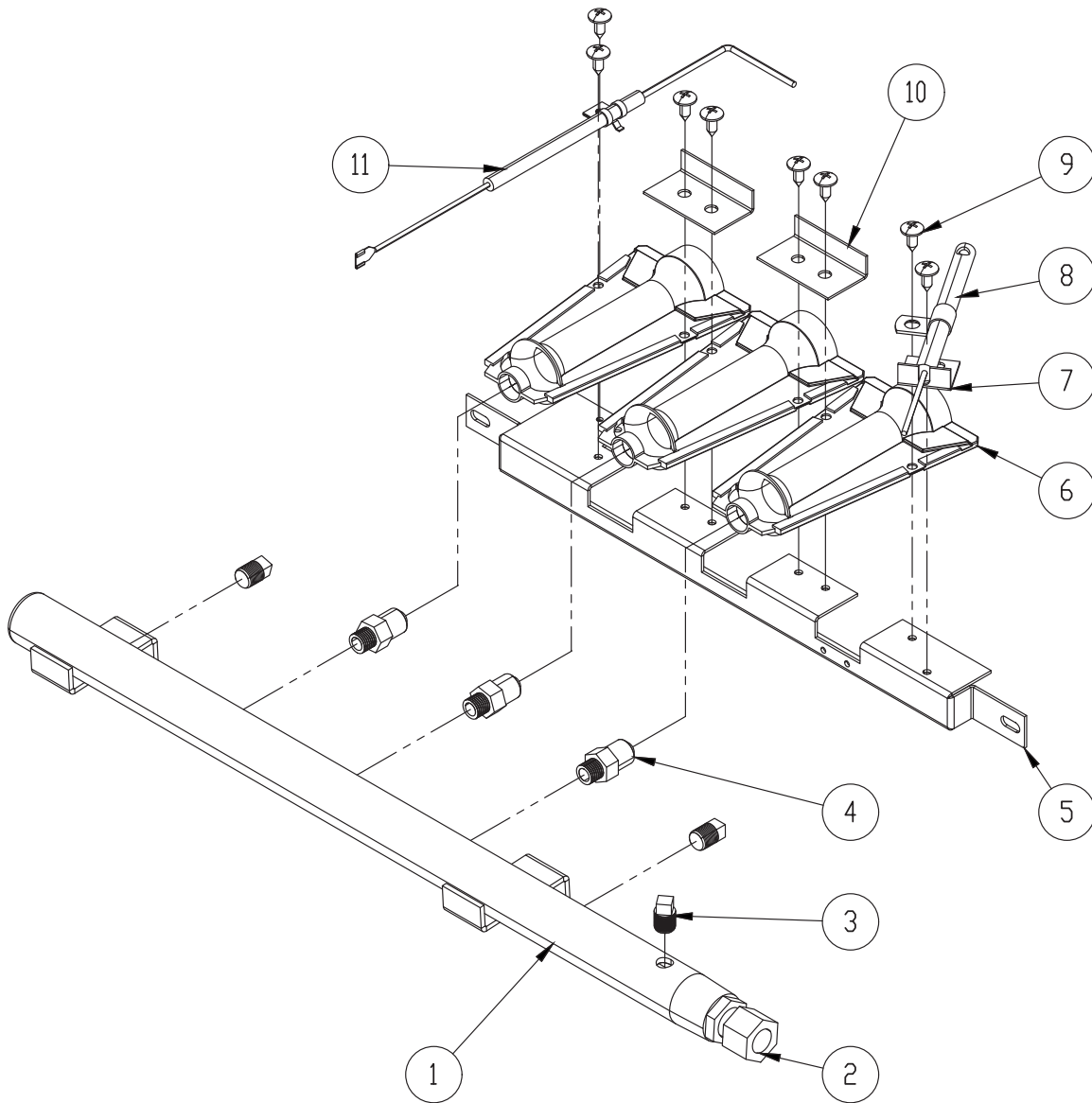
Figure 46



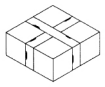
KEY	PART NUMBER	QTY	DESCRIPTION
1	1179900	1	Bracket, door switch mount
2	1177566	1	Door switch
3	1177519	1	Tube, manifold to supply
4	1175016	1	Valve, natural
	1175375	1	Valve, propane
5	1191873	1	Pipe, W/A
6	1175547	1	Lug, grounding

BURNER PARTS

Figure 47



KEY	PART NUMBER	QTY	DESCRIPTION
1	1-3915	1	Fitting, 1/2 NPT male x 1/2CC
2	1177485	1	Manifold assembly
3	1147007	3	Plug, pipe, blk, 1/8"
4	1176033	3	Hood, fitting, orifice, natural
	1176035	3	Hood, fitting, orifice, propane
5	1177509	1	Bracket, burner
6	1177521	3	Burner, inshot
7	1183398	1	Clip, Ignition Alignment
8	1183200	1	Ignitor, hot surface
9	1146304	8	Screw, #10 x 1/2 phil trus
10	1179705	2	Baffle, burner air
11	1195448	1	Flame sensor



OVEN INTERIOR AND SIDE-COMPARTMENT PARTS

See drawing on following page.

KEY	PART NUMBER	QTY	DESCRIPTION
1	1177472	2	Rack, guide 11 position
2	1177469	2	Rack, oven
3	6660	8	Clip, side rack support
4	1177498	2	Support assembly, top baffle
5	1177511	1	Baffle, air enamel
6	1177494	2	Support assembly, bottom baffle
7	1401370	1	Shield, CO oven thermostat bulb
8	1177520	1	Blower wheel
9	1177518	1	Blower pocket assembly
*	1179100	**	Puller disk
10	1179710	4	Spacer, blower motor
11	1198094	1	Motor assembly, 115V, GH & EH
	1198095	1	Motor assembly, 208V, GH & EH
12	1146264	4	Screw, motor mounting 1/4" x 2.00 lg.
13	1401674	1	Baffle, cooling fan half size CO
14	1179704	1	Fan, cooling, 120V CO
	1179794	1	Fan, cooling, 230V
15	1177577	1	Cover assembly, rear exhaust

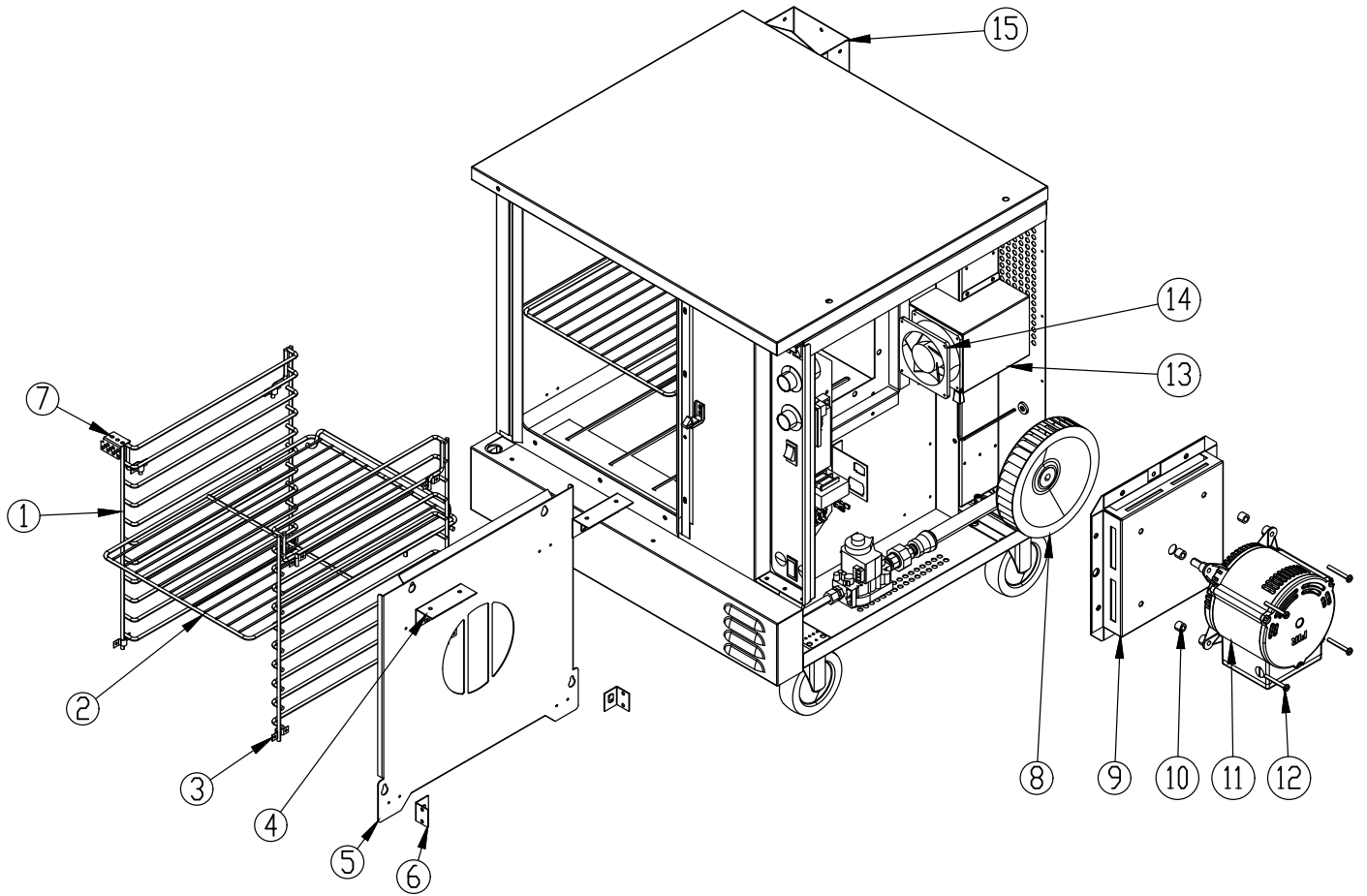
* not shown on drawing.

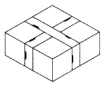
** not part of oven; may be needed to remove blower wheel.

Figure 48

OVEN INTERIOR AND SIDE-COMPARTMENT PARTS

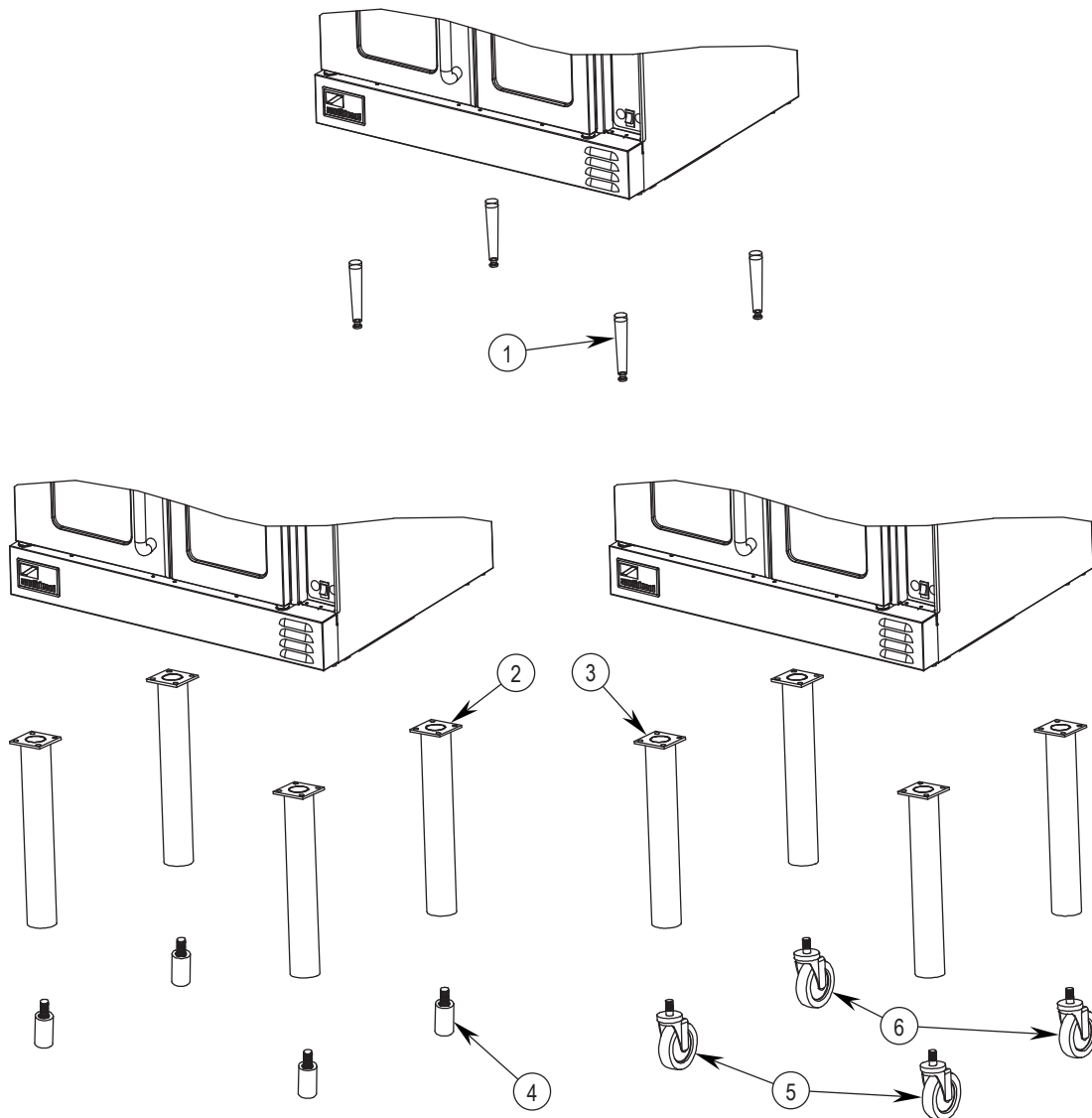
See parts list on previous page.





LEG PARTS FOR SINGLE-DECK MODELS

Figure 49

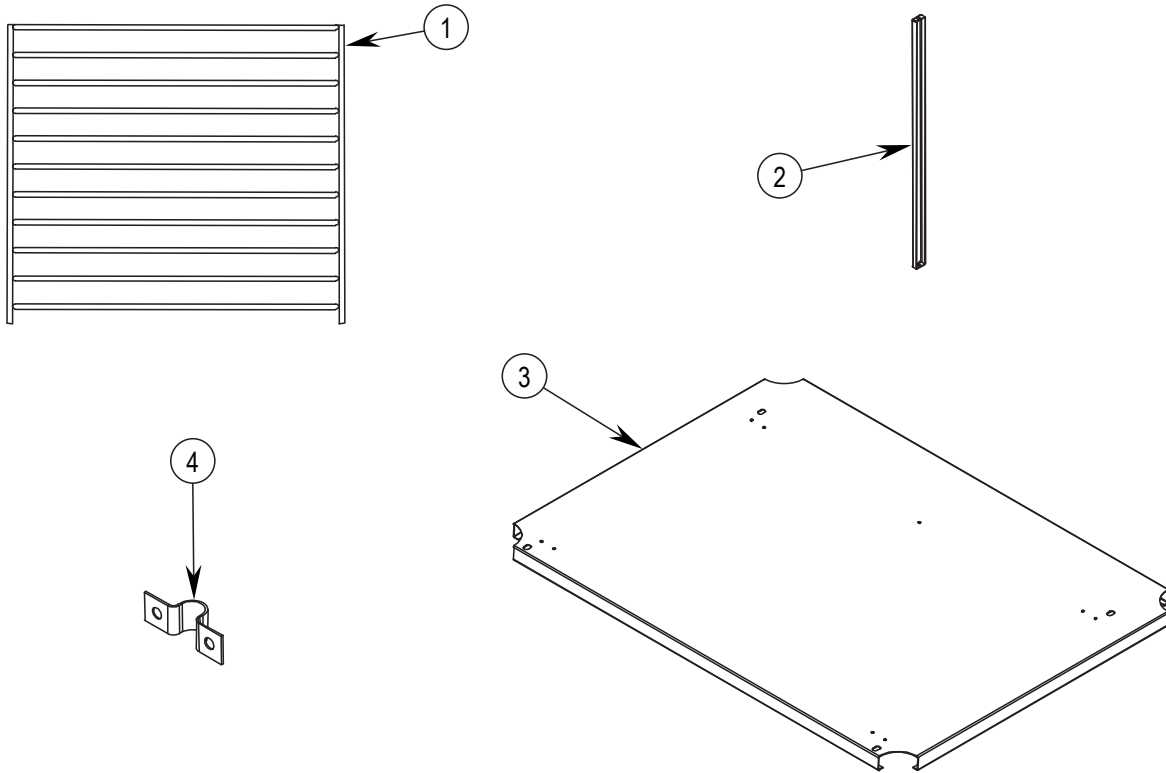


KEY	PART NUMBER	QTY	DESCRIPTION
1	1172857	1	4" legs (set of 4)
2	1175090	4	Single deck leg, M-Gold (for legs with feet)
3	1175089	4	Single deck leg, M-Gold (for legs with casters)
4	1174266	4	Adjustable foot for leg
*	1173584	4	Flanged foot (optional replacement for adjustable foot 1174266)
5	1174264	2	Caster with brake
6	1174263	2	Caster without brake
*	1174265	1	Set of four casters (two with brake, two without brake)
*	1146213	16	3/8 x 16 x 1 hex head bolt
*	1146513	16	3/8 lock washer
*	1146522	16	3/8 flat washer

* not shown on drawing.

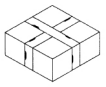
STORAGE RACK PARTS

Figure 50



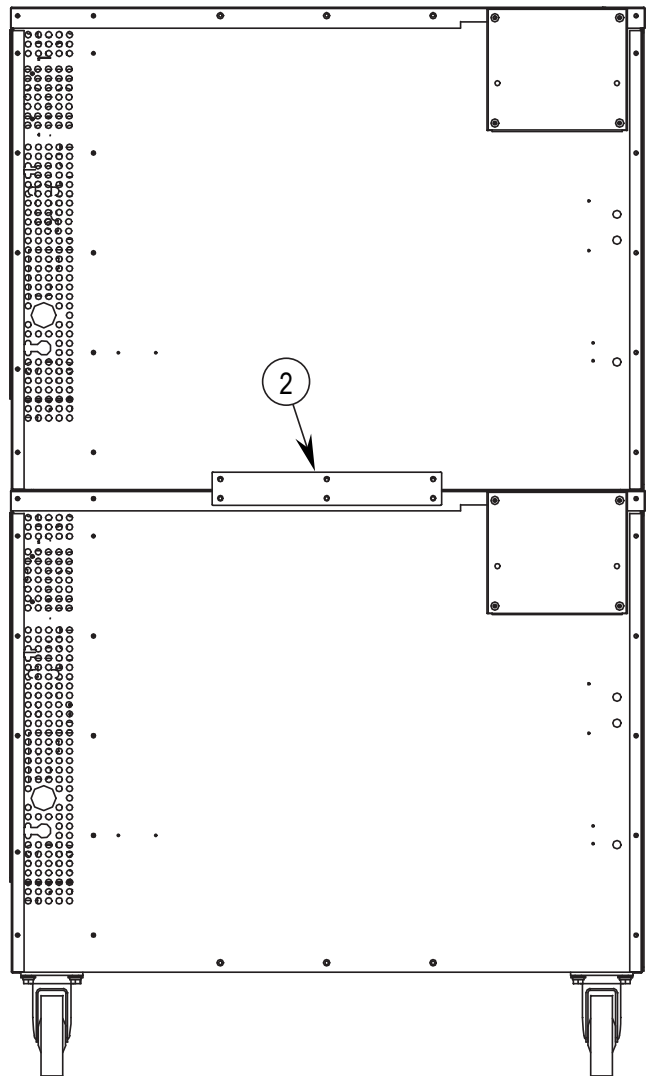
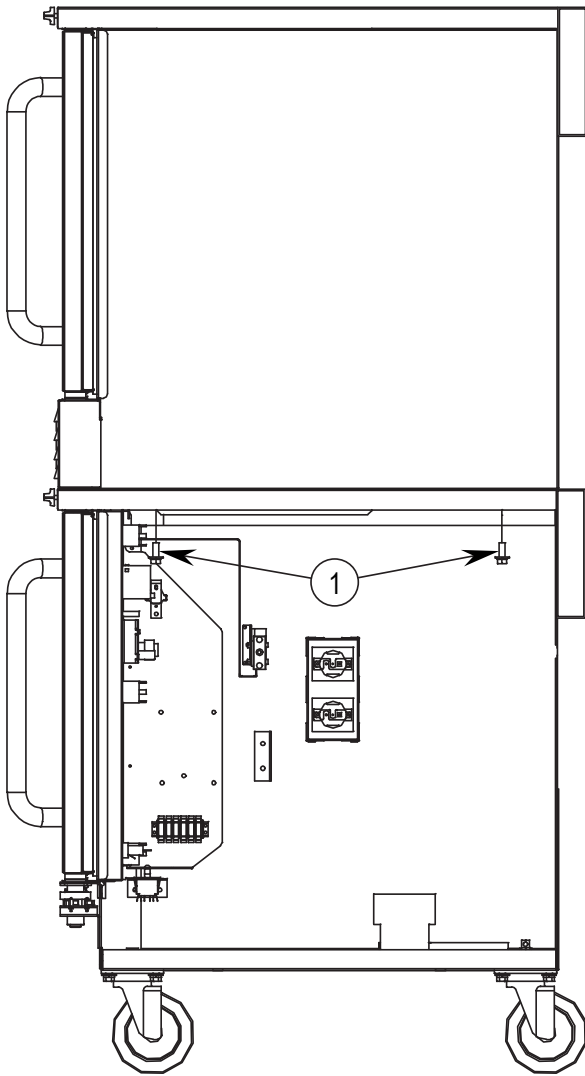
KEY	PART NUMBER	QTY	DESCRIPTION
1-4	0-75-0539	1	Cooling rack kit
1	1177472	2	Rack guide, 11 pos.
2	1181982	1	Stop channel
3	1181981	1	Shelf, open rack
4	6660	8	Clip, side rack support
*	1146304	18	10 x 1/2 Phillips screw

* not shown on drawing.



DOUBLE-DECK OVEN STACKING PARTS

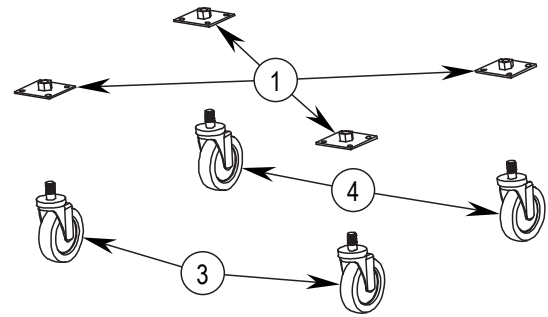
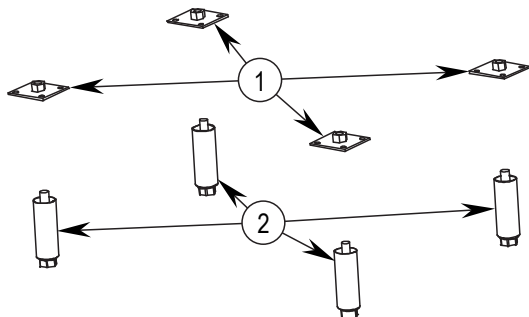
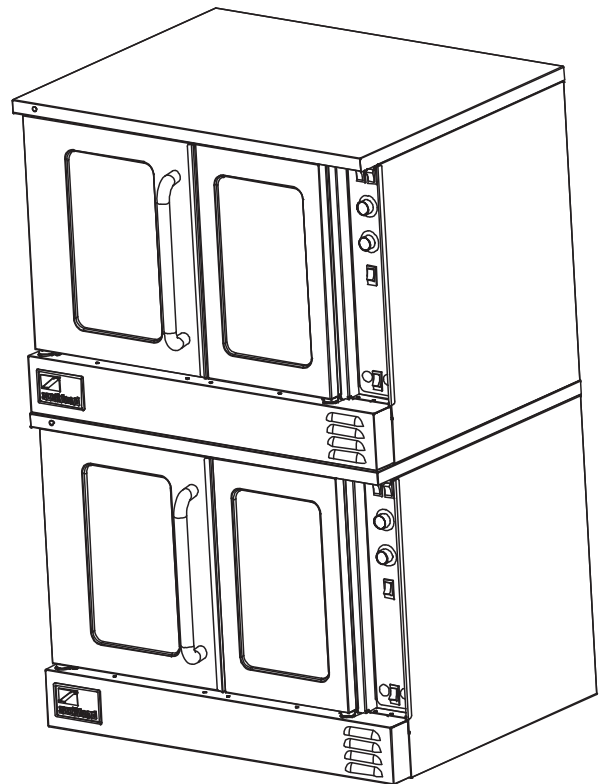
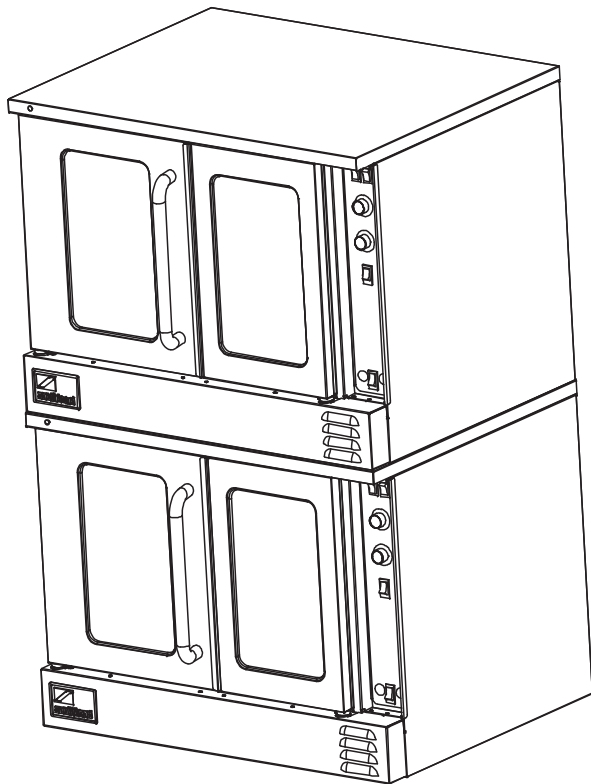
Figure 51



KEY	PART NUMBER	QTY	DESCRIPTION
1	1146213	2	Bolts
2	1175085	1	Tie bracket

LEG PARTS FOR DOUBLE-DECK OVENS

Figure 52



KEY	PART NUMBER	QTY	DESCRIPTION
1	1172788	4	Leg pad
2	1174259	4	SS leg, 3/4" stud
*	1174260	1	Leg package (set of four legs only)
3	1174264	2	Caster with brake
4	1174263	2	Caster without brake
*	1174265	1	Set of four casters (two with brake, two without brake)
*	1146213	16	3/8 x 16 x 1 hex head bolt
*	1146513	16	3/8 lock washer
*	1146522	16	3/8 flat washer

* not shown on drawing.

USER AND MAINTENANCE NOTES

HALF-SIZE GAS CONVECTION OVENS

USER AND MAINTENANCE NOTES

PLATINUM SERIES HALF-SIZE GAS CONVECTION OVENS



A product with the Southbend name incorporates the best in durability and low maintenance. We all recognize, however, that replacement parts and occasional professional service may be necessary to extend the useful life of this appliance. When service is needed, contact a Southbend Authorized Service Agency, or your dealer. To avoid confusion, always refer to the model number, serial number, and type of your appliance.



SOUTHBEND

 MIDDLEBY A Middleby Company

1100 Old Honeycutt Road Fuquay-Varina, North Carolina 27526 USA
www.southbendnc.com