



IMPORTANT FOR FUTURE REFERENCE Please complete this information and retain this manual for the life of the equipment:
Model #: _____
Serial #: _____
Date Purchased: _____

PLATINUM SERIES HALF- SIZE ELECTRIC CONVECTION OVEN PARTS MANUAL

PCHE75S/S
PCHE75S/T

PCHE15S/S
PCHE15S/T



Model PCHG75S/T



Model PCHG15S/S

SOUTHBEND

 **MIDDLEBY** A Middleby Company

1100 Old Honeycutt Road Fuquay-Varina, North Carolina 27526 USA

www.southbendnc.com



PARTS

NOTICE

INSTALLATION OF OTHER THAN GENUINE SOUTHBEND PARTS WILL VOID THE WARRANTY ON THIS EQUIPMENT.

The serial plate with voltage, model, and serial information is located inside the lower front panel of the oven.

Replacement parts may be ordered either through a Southbend Authorized Parts Distributor or a Southbend Authorized Service Agency.

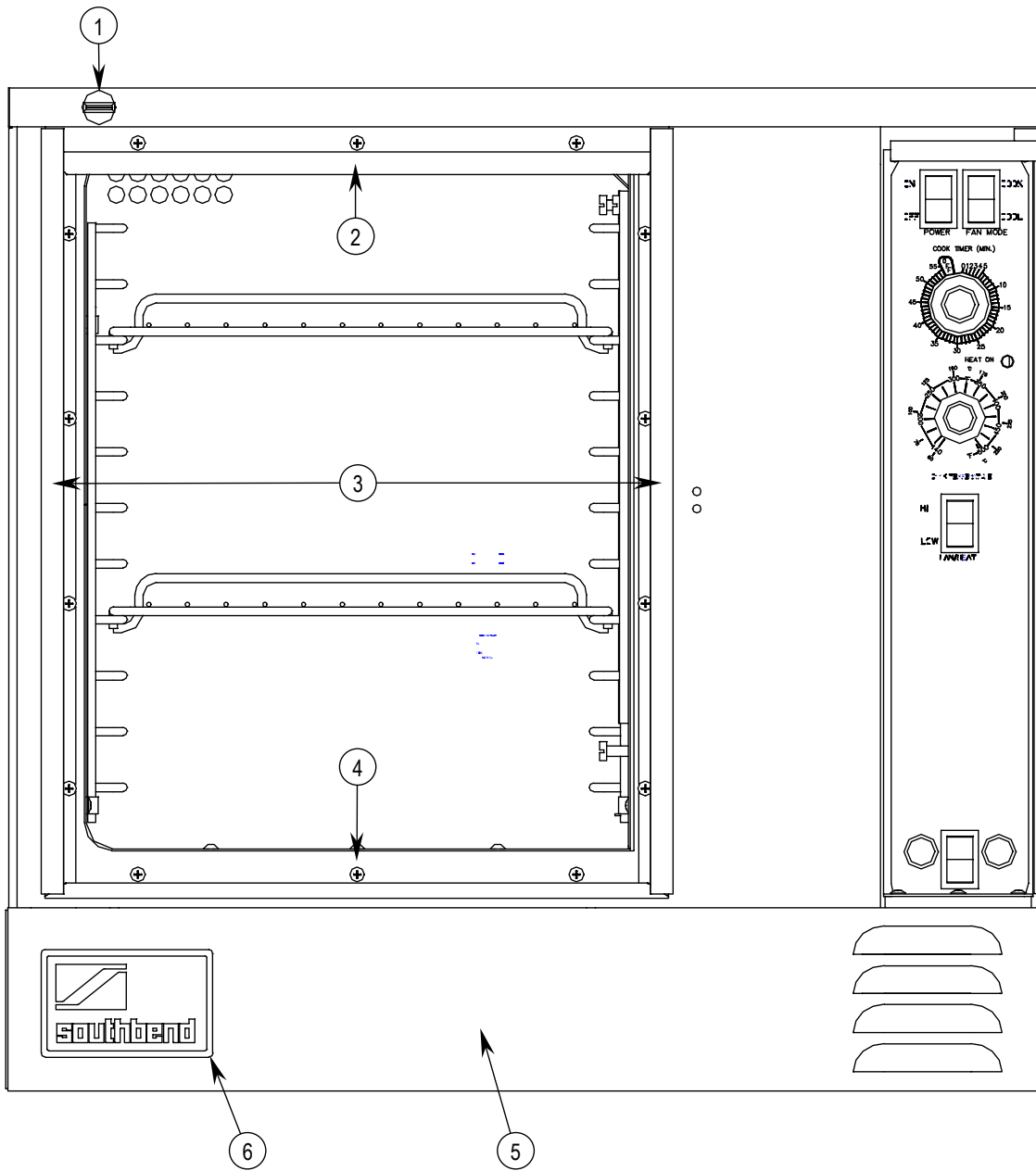
When ordering parts, please supply the Model Number, Serial Number, Part Number, Description, Finish, and Electrical Characteristics as applicable.

For parts not listed, consult a Southbend Authorized Parts Distributor or Southbend Authorized Service Agency. Consult the Southbend Authorized Parts/Service Distributor list for the Authorized Parts supplier in your area.

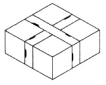
INDEX OF PARTS DIAGRAMS	
PAGE NUMBER	DESCRIPTION
3	Vent Knob, Door Gaskets, and Front Louver Panel Parts
4	Door, Door Latch, and Shutdown Switch Parts
6	Control Panel Parts for Models with Standard Controls (SC Models)
8	Control Panel Parts for 208/380/415 Volt Models with Touchscreen
10	Control Panel Parts for 480 Volt Models with Touchscreen
12	Oven Interior and Side-Compartment Parts
14	Leg Parts for Single-Deck Models
15	Storage Rack Parts
16	Double-Deck Oven Stacking Parts
17	Leg Parts for Double-Deck Ovens

VENT KNOB, DOOR GASKETS, AND FRONT LOUVER PANEL PARTS

Figure 44

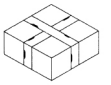


KEY	PART NUMBER	QTY	DESCRIPTION
1	1175401	1	Knob, black 1/40 w/set screw
2	1177481	1	Seal, top door
3	1177480	2	Seal, left & right door
4	1177496	1	Seal, bottom door
5	1181330	1	Panel, louver front
6	1172716	1	Nameplate, Southbend

**DOOR, DOOR LATCH, AND SHUTDOWN SWITCH PARTS**

See drawing on following page.

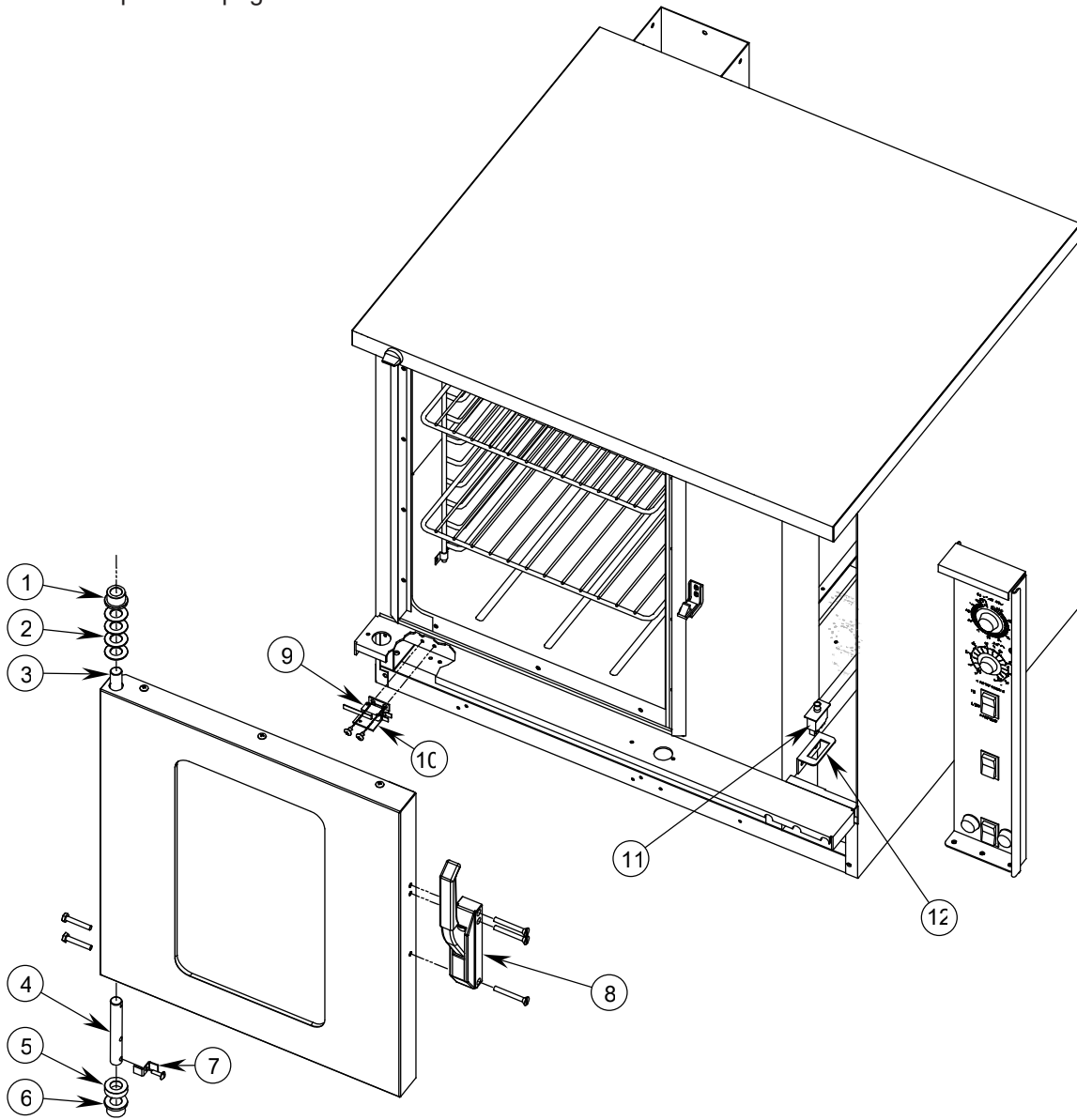
KEY	PART NUMBER	QTY	DESCRIPTION
1	1164527	1	Bushing-upper, bronze (Oilite)
2	1092000	4	Bearing-upper, thrust (Oilite)
3	1177550	1	Pin-upper, door
4	1177549	1	Pin-lower, door
5	1164547	1	Bearing-lower, thrust (Oilite)
6	1164527	1	Bushing-lower, bronze (Oilite)
7	1179899	1	Actuator, door switch
8	1180938	1	Latch & striker, door
9	1177567	1	Switch, door
10	1179900	1	Bracket, door switch
11	1177566	1	Switch, shutdown
12	1177495	1	Bracket, shutdown switch

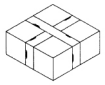


DOOR, DOOR LATCH, AND SHUTDOWN SWITCH PARTS

Figure 45

See parts list on previous page.



**CONTROL PANEL PARTS FOR MODELS WITH STANDARD CONTROLS (SC MODELS)**

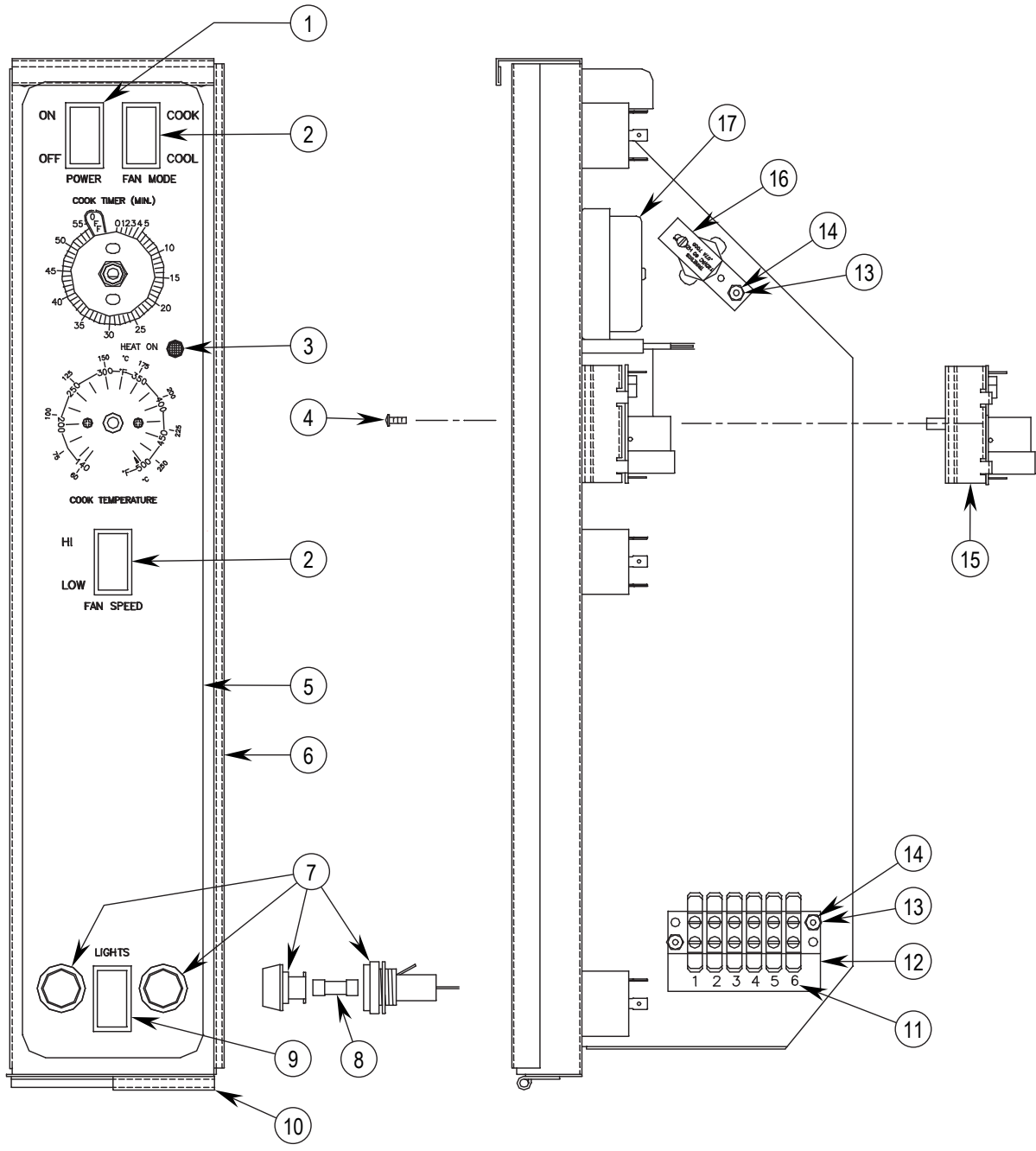
See drawing on following page.

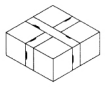
KEY	PART NUMBER	QTY	DESCRIPTION
1-17	1179707	1	Control panel s/a, SC, 60Hz, M-Gold, 208/380/415V (assembled, w/o wiring harness)
	1179656	1	Control panel s/a, SC, 60Hz, M-Gold, 480V (assembled, w/o wiring harness)
*	1179593	1	Wiring harness, SC
1	1177541	1	Rocker switch-DPST- (on-off)
2	1177540	2	Rocker switch-SPDT (on-on)
3	1170350	1	Light, amber, 240V, signal
4	6600334	2	Screw, 6-32, 3/8
5	1177785	1	Polypanel, M-Gold
6	1177556	1	Front control panel
7	1170424	2	Fuse holder
8	1170425	2	Fuse, 12 amp #LP-CC-12 low peak
9	1177642	1	Plug, square
10	1175046	1	Left control panel hinge
11	1170336	1	Marker strip
12	1170335	1	Terminal block
13	6600430	3	Locknut, 8-32
14	1146397	3	Screw 8-32 x 5/8 s/steel pan head
15	1181998	1	Cntl board/analog potentiometer
16	1175708	1	Buzzer, adjustable, 240VAC
17	1176416	1	Timer, motorized, 240V, 60Hz
	1176436	1	Timer, motorized, 240V, 50Hz
*	1172753	1	Thermostat probe (for units built before October 1, 2000)
	1181996	1	Thermostat probe (for units built on or after October 1, 2000)
*	1170337	2	Control knob
*	1166609	10	Ties, cable, ty-rap, 4"
* not shown on drawing.			

Figure 46

CONTROL PANEL PARTS FOR MODELS WITH STANDARD CONTROLS (SC MODELS)

See parts list on previous page.



**CONTROL PANEL PARTS FOR 208/380/415 VOLT MODELS WITH TOUCHSCREEN**

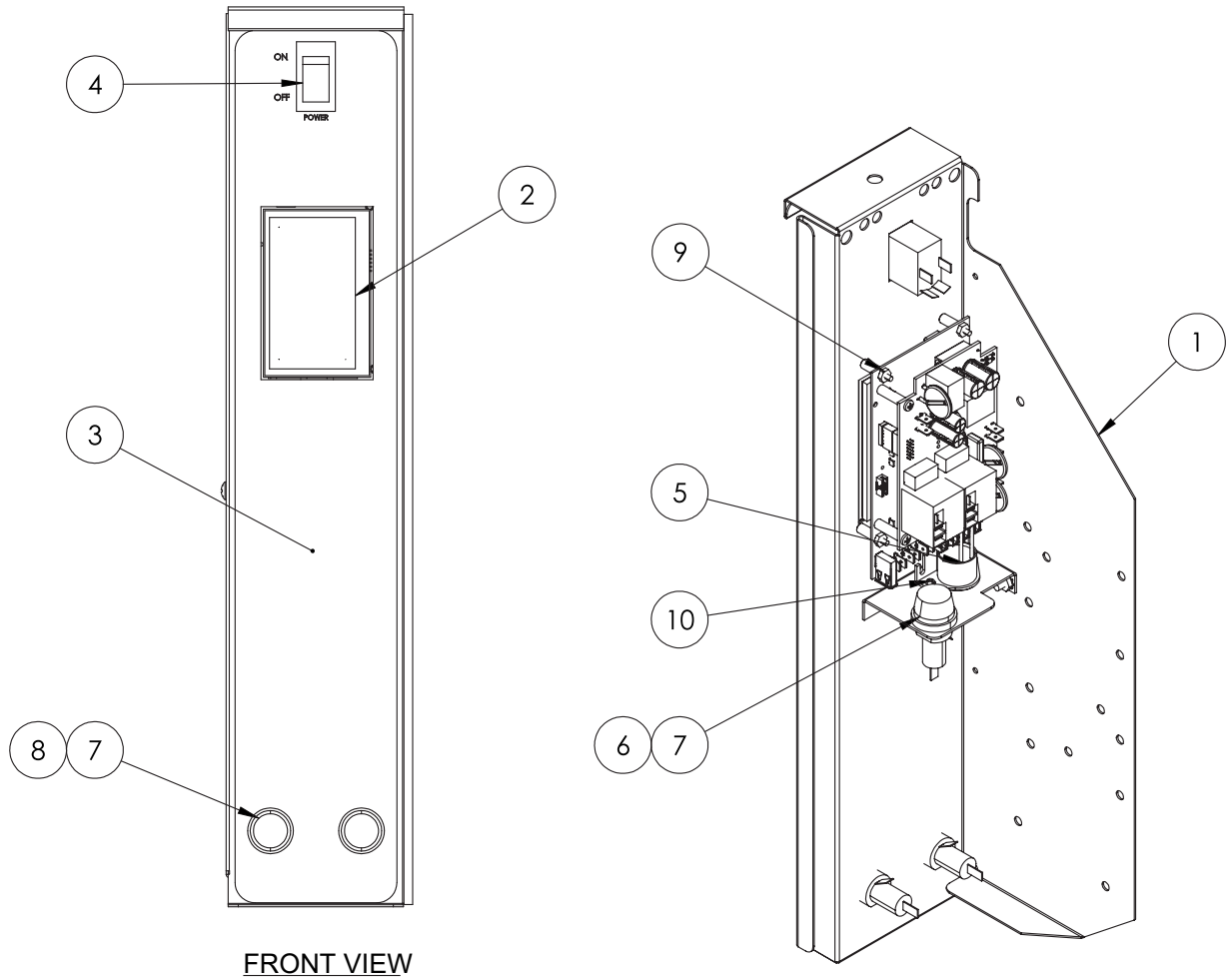
See drawing on following page.

KEY	PART NUMBER	QTY	DESCRIPTION
1	1408029	1	FRONT, CONTROL PANEL ASSEMBLY, TC, HALF
2	1407381	1	CONTROL, TOUCHSCREEN, C/O
3	1407994	1	POLYPNL, TOUCHSCREEN, HALF
4	1177541	1	SWITCH, BLACK SMOOTHED (POWER)
5	1408027	1	BUZZER ASSEMBLY, C/O
6	1408028	1	FUSE, LP-CC-2 AMP
7	1170424	3	FUSEHOLDER
8	1170425	2	FUSE, LP-CC-12 AMP
9	1146400	6	NUT, 6-32, HEX, ZINC
10	1146319	2	SCREW, 6-32X1/2 ROUND HD
11	1408067	1	WIRING HARNESS, TC, ELECTRIC, HALF

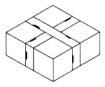
Figure 47

CONTROL PANEL PARTS FOR 208/380/415 VOLT MODELS WITH TOUCHSCREEN

See parts list on previous page.



FRONT VIEW

**CONTROL PANEL PARTS FOR 480 VOLT MODELS WITH TOUCHSCREEN**

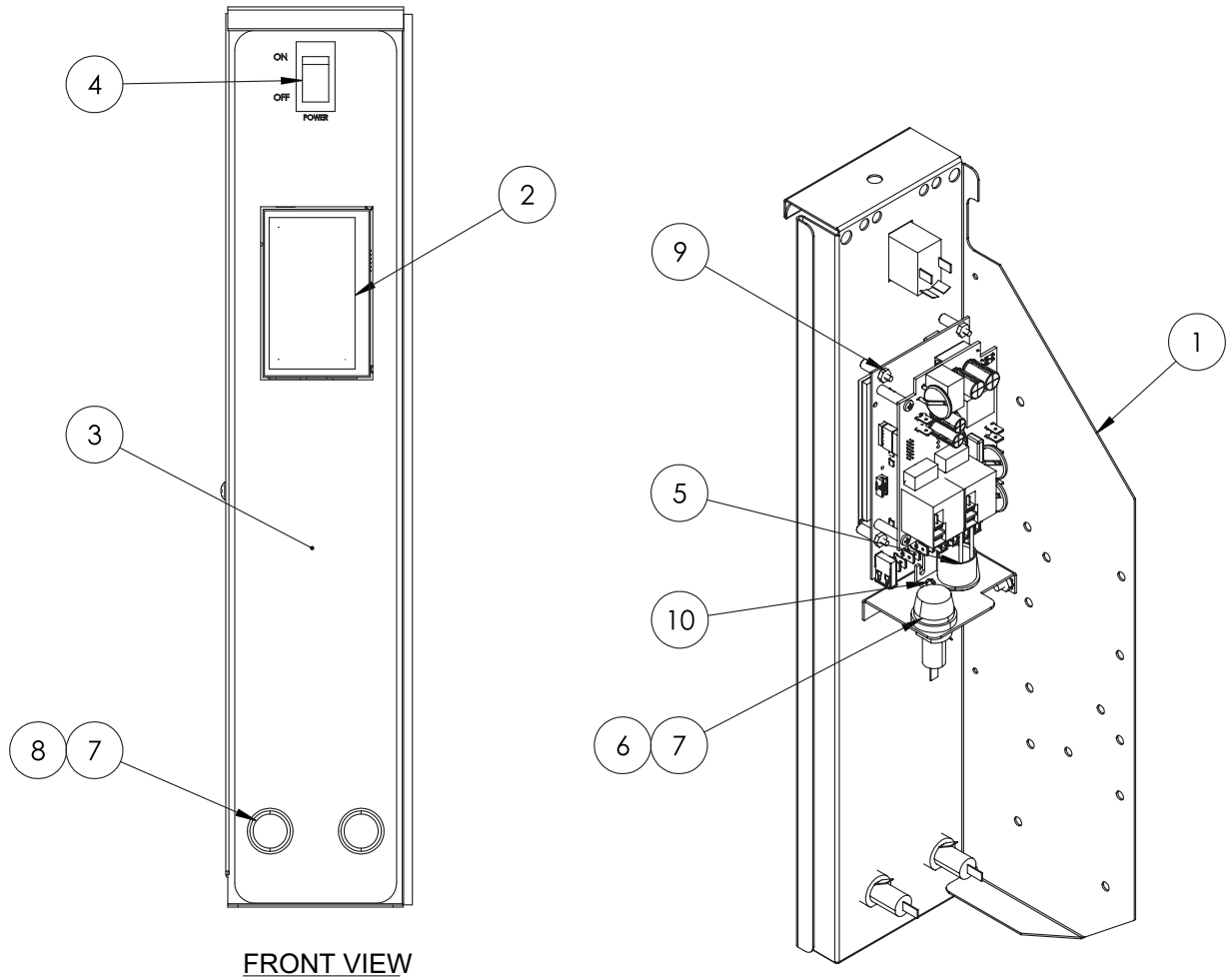
See drawing on following page.

KEY	PART NUMBER	QTY	DESCRIPTION
1	1408029	1	FRONT, CONTROL PANEL ASSEMBLY, TC, HALF
2	1407381	1	CONTROL, TOUCHSCREEN, C/O
3	1407994	1	POLYPNL, TOUCHSCREEN, HALF
4	1177541	1	SWITCH, BLACK SMOOTHED (POWER)
5	1408027	1	BUZZER ASSEMBLY, C/O
6	1408028	1	FUSE, LP-CC-2 AMP
7	1170424	3	FUSEHOLDER
8	1170425	2	FUSE, LP-CC-12 AMP
9	1146400	6	NUT, 6-32, HEX, ZINC
10	1146319	2	SCREW, 6-32X1/2 ROUND HD
11	1408067	1	WIRING HARNESS, TC, ELECTRIC, HALF

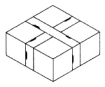
Figure 48

CONTROL PANEL PARTS FOR 480 VOLT MODELS WITH TOUCHSCREEN

See parts list on previous page.



FRONT VIEW



OVEN INTERIOR AND SIDE-COMPARTMENT PARTS

See drawing on following page.

KEY	PART NUMBER	QTY	DESCRIPTION
1	1177472	2	Rack, guide 11 position
2	1177469	2	Rack, oven
3	6660	8	Clip, side rack support
4-7	1178092	1	Complete element assembly, 208V
	1178093	1	Complete element assembly, 240V
	1178094	1	Complete element assembly, 380V
	1178095	1	Complete element assembly, 480V
4	1178088	3	Element, heating, 208V
	1178089	3	Element, heating, 240V
	1178090	3	Element, heating, 380V
	1178091	3	Element, heating, 480V
5	1178079	2	Clamp, heating element
6	1178078	2	Bracket, heating element
7	1078077	1	Plate, element mounting, EH
8	1177498	2	Support assembly, top baffle
9	1177511	1	Baffle, air enamel
10	1177494	2	Support assembly, bottom baffle
11	1175734	1	Plate, contactor mounting
12	1179680	1	Contacto, element
13	1177523	1	Bracket, rear gas pipe
14	1179794	1	Fan, cooling 230V
15	1179710	4	Spacer, blower motor
16	1146264	4	Screw, motor mounting 1/4" x 2.00 lg.
17	1179689	1	Motor assembly, 208/230V, 50/60Hz, GH & EH
18	1177518	1	Blower pocket assembly
19	1177581	1	Blower wheel assembly, EH
*	1179100	**	Puller disk
20	1179839	1	Cover, electric element
21	1177577	1	Cover assembly, rear exhaust

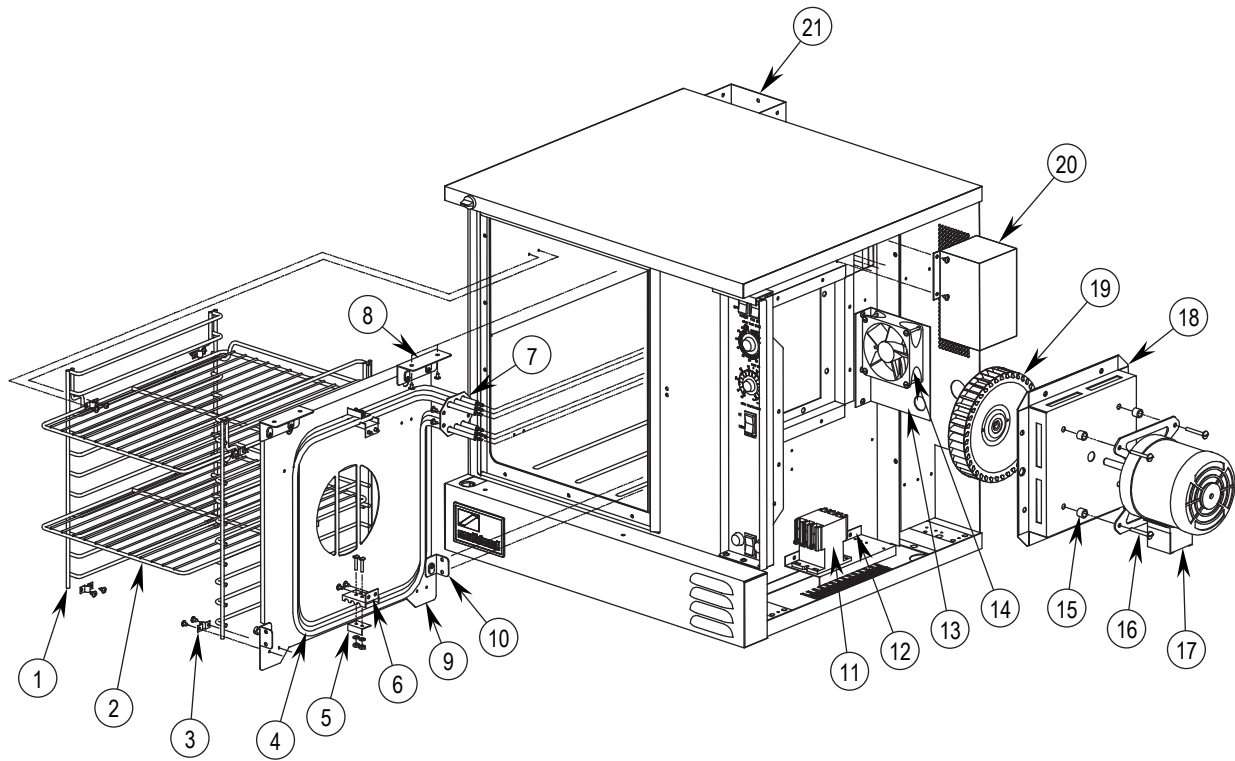
* not shown on drawing.

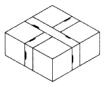
** not part of oven; may be needed to remove blower wheel.

Figure 49

OVEN INTERIOR AND SIDE-COMPARTMENT PARTS

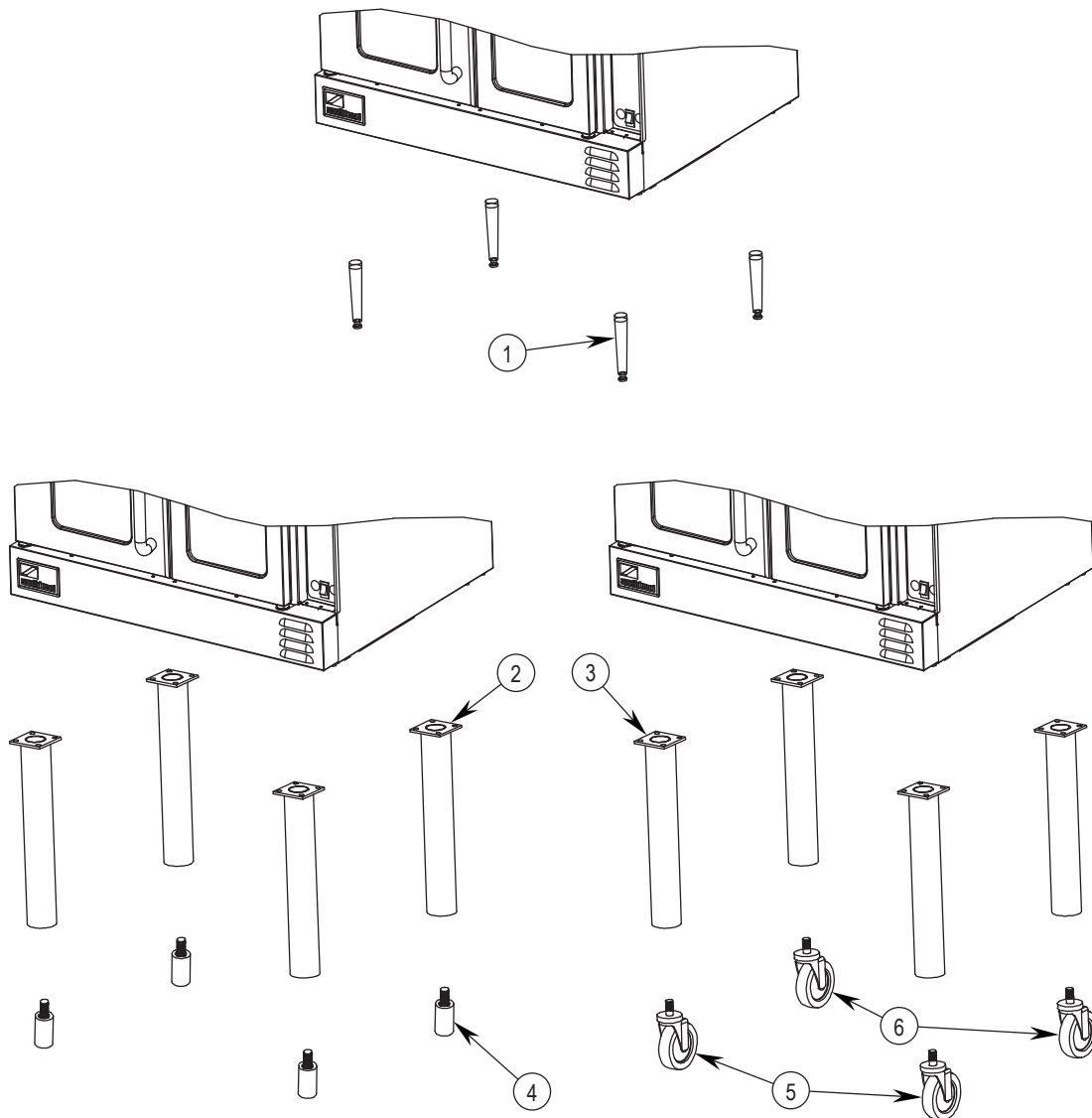
See parts list on previous page.





LEG PARTS FOR SINGLE-DECK MODELS

Figure 50

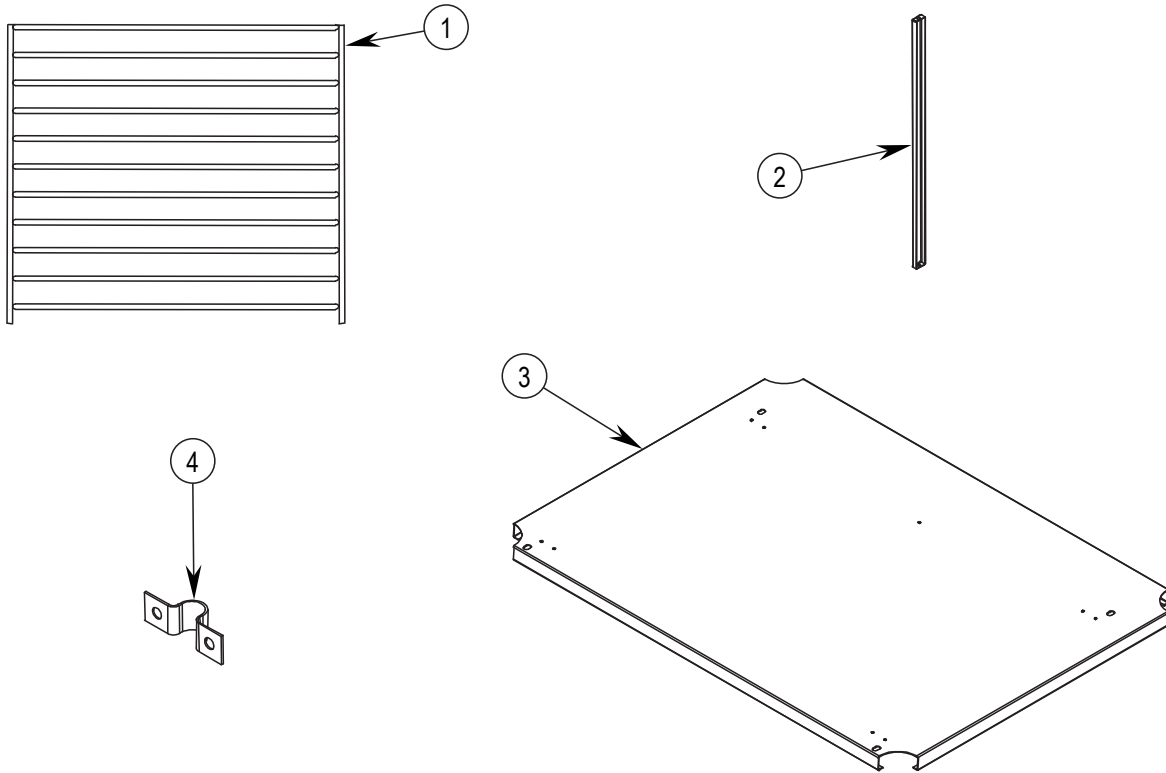


KEY	PART NUMBER	QTY	DESCRIPTION
1	1172857	1	4" legs (set of 4)
2	1175090	4	Single deck leg, M-Gold (for legs with feet)
3	1175089	4	Single deck leg, M-Gold (for legs with casters)
4	1174266	4	Adjustable foot for leg
*	1173584	4	Flanged foot (optional replacement for adjustable foot 1174266)
5	1174264	2	Caster with brake
6	1174263	2	Caster without brake
*	1174265	1	Set of four casters (two with brake, two without brake)
*	1146213	16	3/8 x 16 x 1 hex head bolt
*	1146513	16	3/8 lock washer
*	1146522	16	3/8 flat washer

* not shown on drawing.

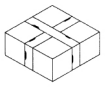
STORAGE RACK PARTS

Figure 51



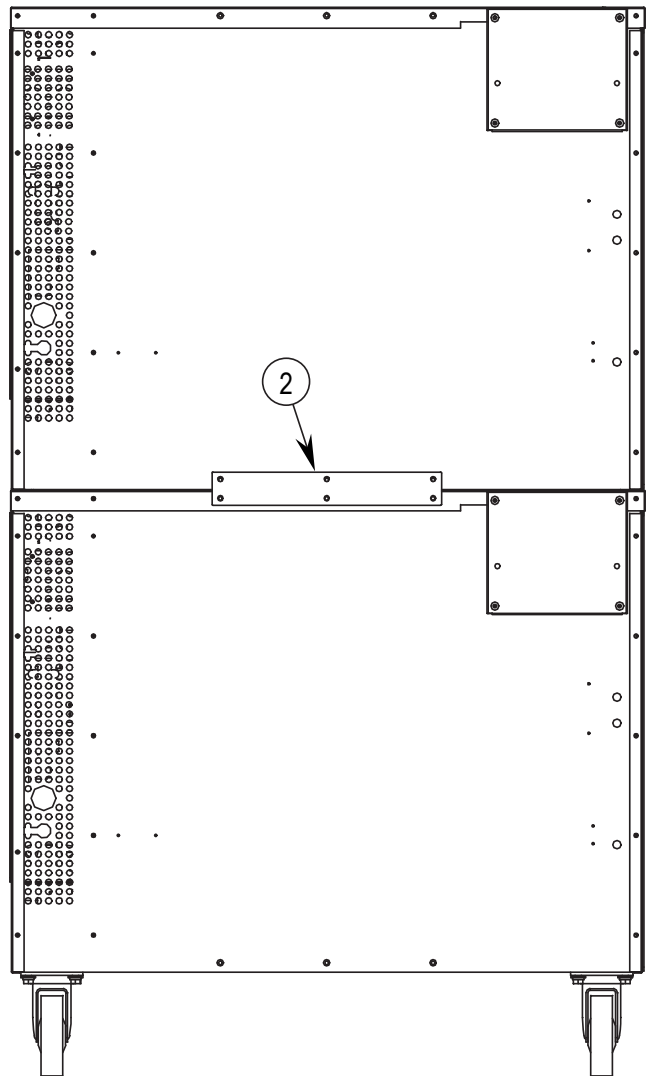
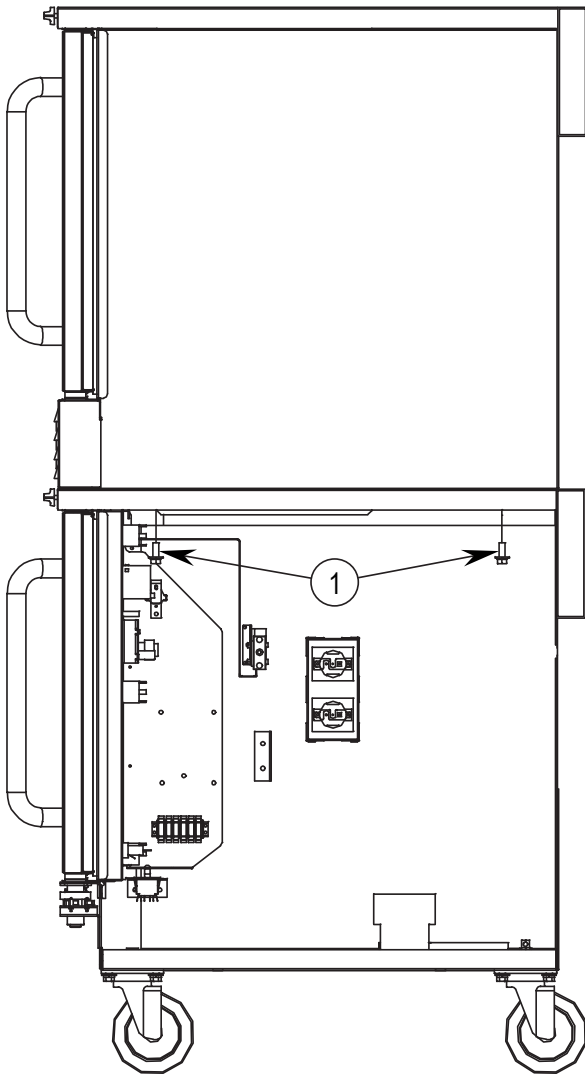
KEY	PART NUMBER	QTY	DESCRIPTION
1-4	0-75-0539	1	Cooling rack kit
1	1177472	2	Rack guide, 11 pos.
2	1181982	1	Stop channel
3	1181981	1	Shelf, open rack
4	6660	8	Clip, side rack support
*	1146304	18	10 x 1/2 Phillips screw

* not shown on drawing.



DOUBLE-DECK OVEN STACKING PARTS

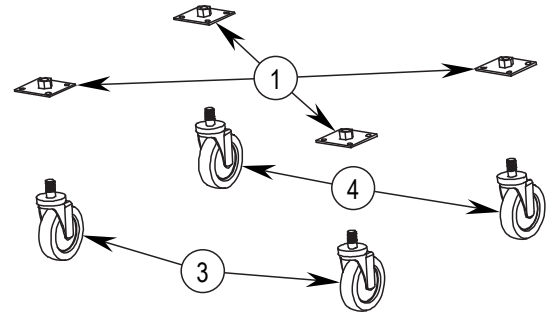
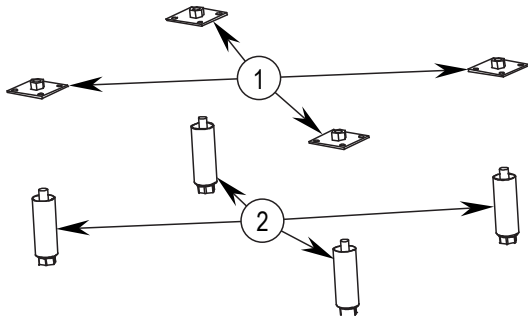
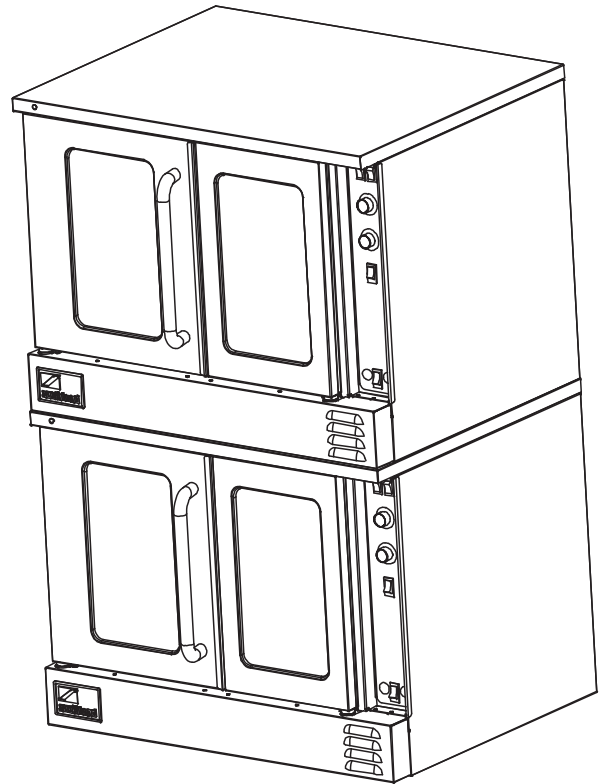
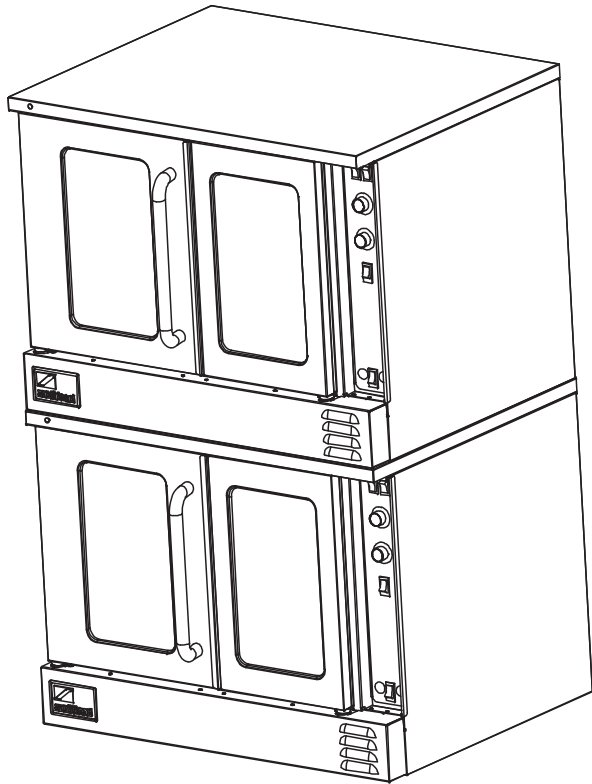
Figure 52



KEY	PART NUMBER	QTY	DESCRIPTION
1	1146213	2	Bolts
2	1175085	1	Tie bracket

LEG PARTS FOR DOUBLE-DECK OVENS

Figure 53



KEY	PART NUMBER	QTY	DESCRIPTION
1	1172788	4	Leg pad
2	1174259	4	SS leg, 3/4" stud
*	1174260	1	Leg package (set of four legs only)
3	1174264	2	Caster with brake
4	1174263	2	Caster without brake
*	1174265	1	Set of four casters (two with brake, two without brake)
*	1146213	16	3/8 x 16 x 1 hex head bolt
*	1146513	16	3/8 lock washer
*	1146522	16	3/8 flat washer

* not shown on drawing.

PLATINUM SERIES HALF-SIZE ELECTRIC CONVECTION OVENS

PLATINUM SERIES HALF-SIZE ELECTRIC CONVECTION OVENS



A product with the Southbend name incorporates the best in durability and low maintenance. We all recognize, however, that replacement parts and occasional professional service may be necessary to extend the useful life of this appliance. When service is needed, contact a Southbend Authorized Service Agency, or your dealer. To avoid confusion, always refer to the model number, serial number, and type of your appliance.



SOUTHBEND

 **MIDDLEBY** A Middleby Company

1100 Old Honeycutt Road Fuquay-Varina, North Carolina 27526 USA
www.southbendnc.com