



**1400 SERIES
ELECTRIC DECK OVEN
REPLACEMENT PARTS LIST**

EFFECTIVE DECEMBER 6, 2017

Superseding All Previous Parts Lists.

The Company reserves the right to make substitution in the event that items specified are not available.

ERRORS: Descriptive and/or typographic errors are subject to correction.

BLODGETT OVEN COMPANY

42 Allen Martin Drive, Essex Junction, VT 05452 USA Telephone: (802) 658-6600 Fax: (802) 860-3732
www.blodgett.com

P/N 53539 Rev F

IMPORTANT: When ordering parts, please provide the model, gas type and serial number of the oven. The identification plate is located on the left side of the combustion compartment and, also, above the control panel under the ledge.



**ASAP Distributor Required Stocking Parts
Doors Are Not Returnable**

ELECTRICAL COMPONENTS

Ref. No.	Part No.	Description
1	53666	Element Assy., Bottom 208V, 3 ph
1	53668	Element Assy., Bottom 240V, 3 ph
	53667	Element Assy., Top 208V, 3 ph
	53669	Element Assy., Top 240V, 3 ph
	53580	Element Assy., Middle 208V, after 4/27/10
	53581	Element Assy., Middle 240V, after 4/27/10
	53582	Element Kit, Middle upgrade to non-removeable 208V, 3 phase
	53583	Element Kit, Middle upgrade to non-removeable 240V, 3 phase
	53660	Element Kit, Bottom, 208V, 1 phase
	53661	Element Kit, Top, 208V, 1 phase
	53662	Element Kit, Bottom, 240V, 1 phase
	53663	Element Kit, Top, 240V, 1 phase
	53664	Element Kit, Middle upgrade to non-removeable 208V, 1 phase
	53665	Element Kit, Middle upgrade to non-removeable 240V, 1 phase

INTERIOR COMPONENTS

Ref. No.	Part No.	Description
	19955	Deck, Steel
	31144	Deck, Cordierite (3/4" x 19-1/2" x 19-1/2")

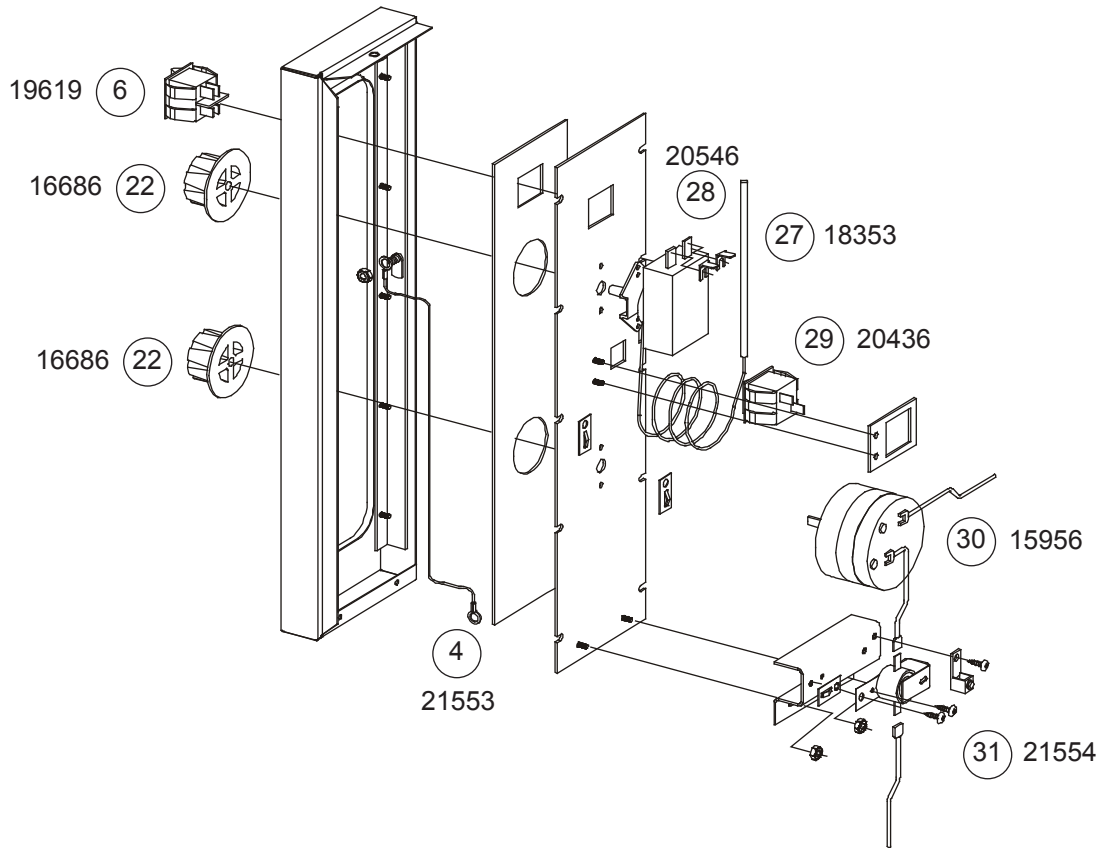
EXTERIOR COMPONENTS

Ref. No.	Part No.	Description
	20095	Door Assy., S/S, Drop Down (After 2/10/89)
	21556	Brackets, Door Arm Roll-Up
	20139	Bearing, Door Roll-Up (Set of 2)
	21552	Hinge Pin, Door Roll-Up (Set of 2)
	20734	Microswitch Assy., Door Roll-Up
	21528	Bearing, Door Drop-Down (Set of 2)
	17559	Bushing, Roll-Up
	21527	Hinge Pin, Door Drop-Down (Set of 2)
	23009	Handle, Door Conversion Kit (Before 11/15/91)
	20140	Handle, Door (w/rod), (After 11/15/91)
	35184	Window Bracket (L & R) (for handles) (For units after 11/15/91)

****NOTE This Kit 35184 replaces 20533 & 20534 single brackets.**

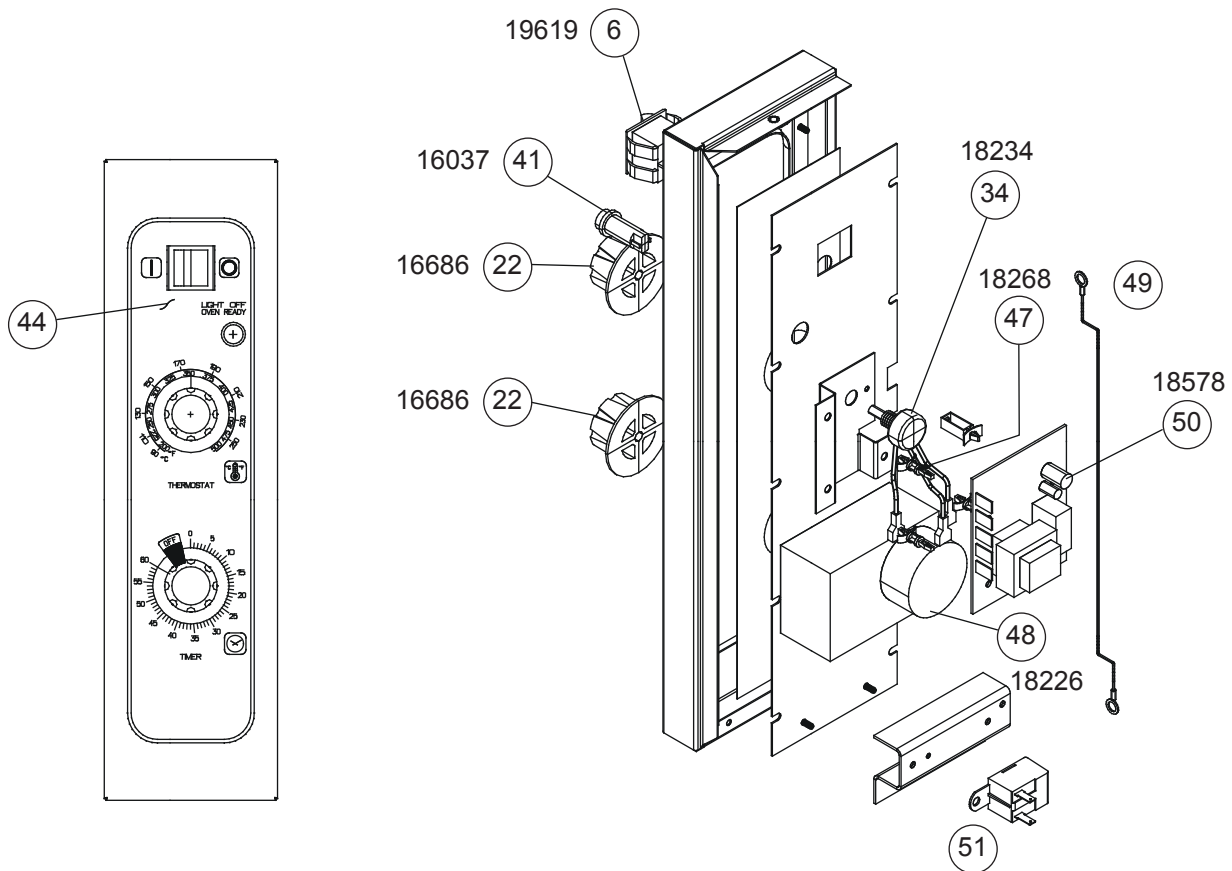
	20527	Catch, Door (Pressure Latch)
	57628	Catch, Door (Striker Plate)
	20535	Gasket, Top Door S/S
	19556	Nameplate, Blodgett 4"
	20557	Back Panel, Louvered
	20536	Body Top & Sides, S/S
	21109	Stacking Kit, 1400 on 1400
	20435	Legs, 4" Painted (Set of 4)
	24934	Stand, 19" S/S w/ Casters
	32298	Heat Shield (1405/1415)
	19806	Bodyback (before 4/27/2010)
	53530	Bodyback (after 4/27/2010)
	20431	Lower Deck Seal (crumb catcher)
	20524	Angle, Door Seal (upper)

MECHANICAL CONTROLS



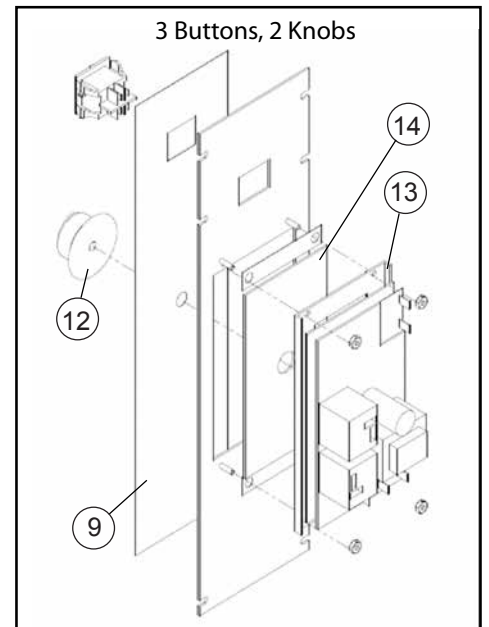
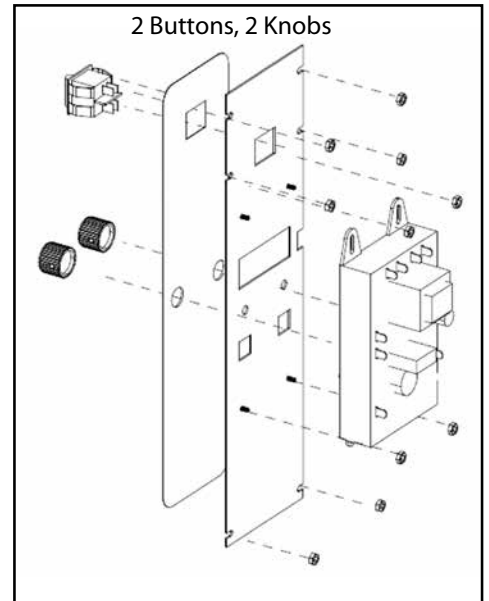
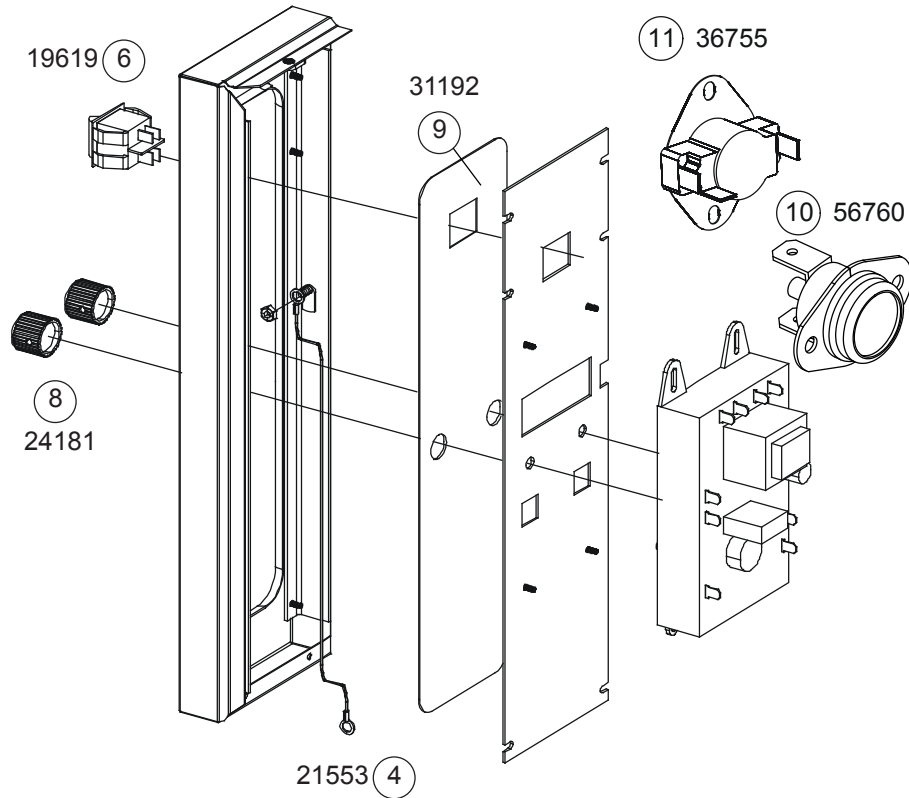
Ref. No.	Part No.	Description
30	<input checked="" type="checkbox"/> 15956	Timer, 60 Minute
	16686	Knob, Timer
31	21554	Buzzer, Timer 240V
28	20546	Thermostat w/ Terminal, Mechanical
22	16686	Knob, Thermostat
27	18353	Terminal Adapter, Thermostat
6	19619	Rocker Switch, DPST, Black
29	20436	Indicator Light, 250V, Clear, Rectangular
	20547	Contactors, 30 Amp., 3 Pole (For Solid State Thermostat)
	17556	Terminal Block, 90 Amp., 3 Pole
	23086	Suppressor Assy., RC
	<input checked="" type="checkbox"/> 21430	Axial Fan, 230V, 34 CFM, 3"
24	21553	Cable Assy., Strain Relief

SOLID STATE INFINITE CONTROLS



Ref. No.	Part No.	Description
50	☑ 18578	Control, Temperature
	☑ 18588	Probe, Temperature
34	☑ 18234	Potentiometer, Remote
41	16037	Light, Ind. 250V Red, Round
48	☑ 18226	Timer, 60 Minute 240V
6	☑ 19619	Switch, Rocker DPST, Black
	35886	Buzzer, 240V
	20547	Contactor, 3Pole 30 AMP
	19751	Clip, Bulb Thermistor
22	16686	Knob, Control
47	18268	Nylon Spacer

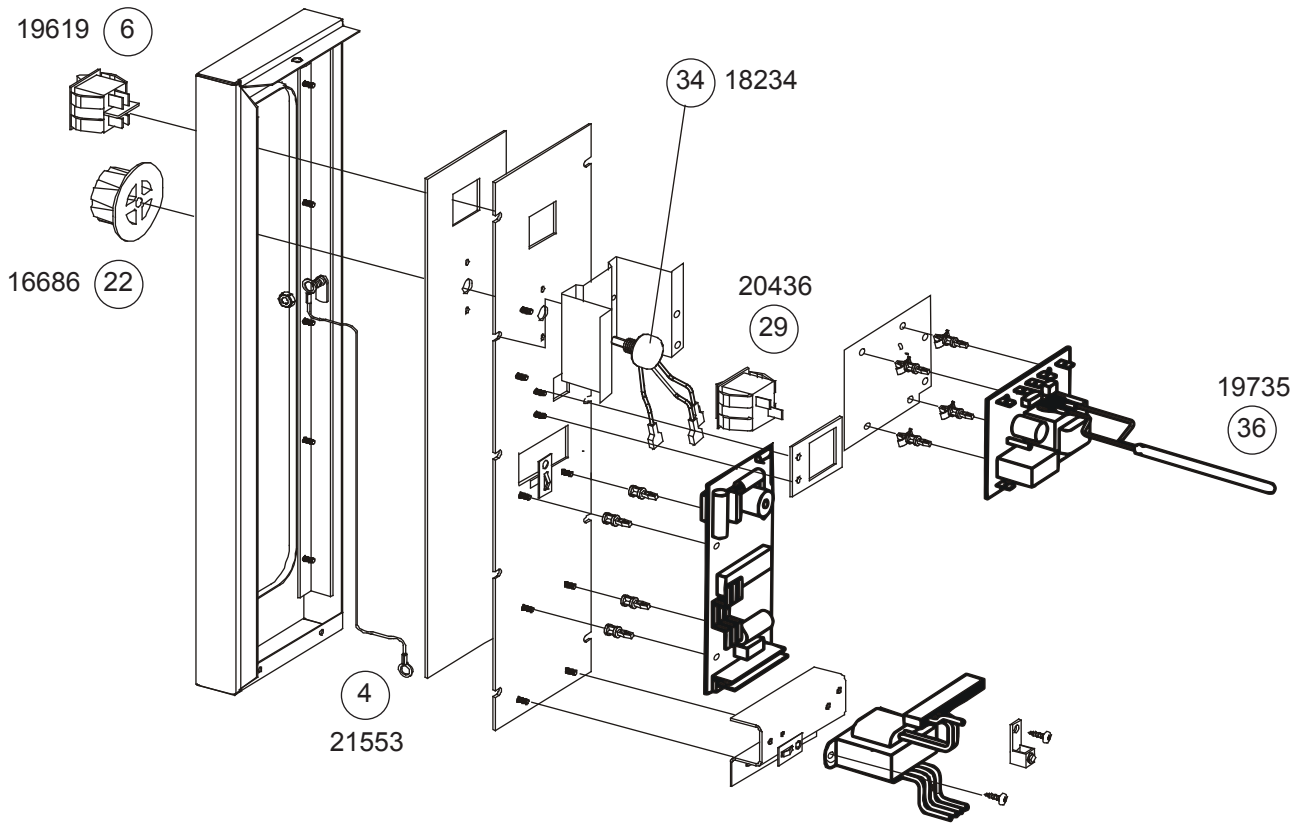
SOLID STATE DIGITAL CONTROLS



Ref. No.	Part No.	Description
13	51584	Controller, For ovens manufactured after 4/27/08
8	24181	Knob, Control (2), For ovens manufactured before 4/27/08
<input checked="" type="checkbox"/>	23392	Probe, Temperature RTD
6	19619	Rocker Switch, DPST, Black
4	21553	Cable Assy., Strain Relief
5	32472	Control Panel & Decal Assy. 3 Button (Includes the Controller)
9	31192	Decal Only (For 2 Button)
	51392	Decal Only (For 3 Button)
12	36617	Knob, control (1) For ovens manufactured after 4/27/08
	51700	Kit, upgrade from 2 button to 3 button
10	56760	High Limit Switch, For ovens manufactured after 5/27/13
11	36755	Thermal Switch, Cooking Fan, For ovens manufactured after 5/27/13
	21430	Axial Fan, 230V, 34 CFM, 3"

NOTE: If you do not have a 32472 in stock, you can use the the 24448 conversion kit in its place.

SOLID STATE DIGITAL CONTROLS 12 Key



Ref. No.	Part No.	Description
	24448	Conversion Kit, 12 Button to Current Control with 3 Button Decal (Complete Module Assy.) (See Note)
22	16686	Knob, Control
36	19735	Probe, Temperature Controller RTD
34	18234	Potentiometer, Remote
21	19619	Rocker Switch, DPST, Black
29	20436	Indicator Light, 250V, Clear, Rectangular
24	21553	Cable Assy., Strain Relief
	24193	Wiring Harness, Solid State Control Module

NOTE: *If you need either the timer or the control panel and decal assy. for the 12 button control, you need to order part number 24448 conversion kit to update to the current control with 3 button decal.*