



BC-20E
COMBI OVEN STEAMER
REPLACEMENT PARTS LIST
SERIAL NUMBERS WITH KG

EFFECTIVE MAY 27, 2026

Superseding All Previous Parts Lists.

The Company reserves the right to make substitution in the event that items specified are not available.

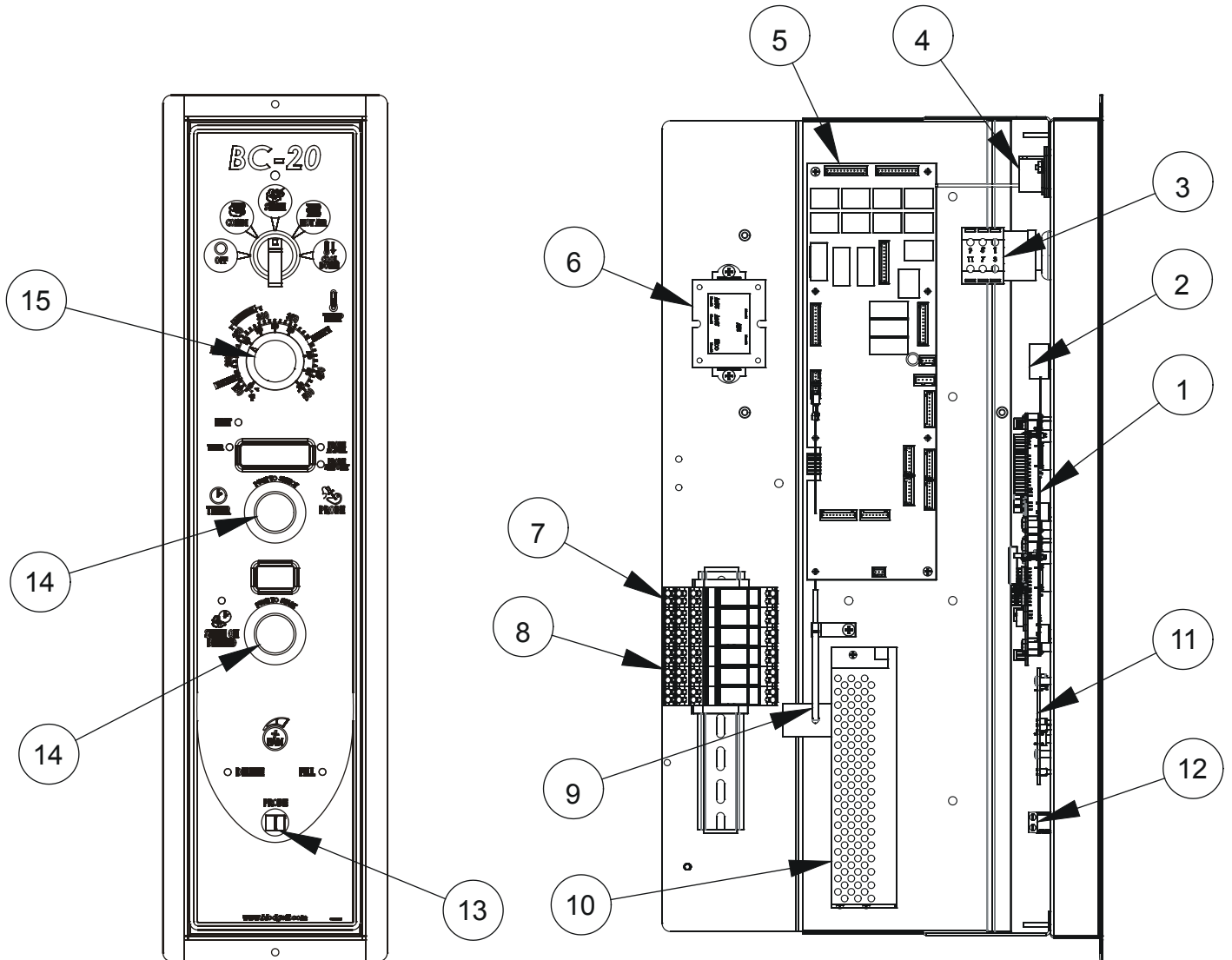
ERRORS: Descriptive and/or typographic errors are subject to correction.

BLODGETT

42 Allen Martin Drive, Essex Junction, Vermont 05452 USA Telephone: (802) 658-6600 Fax: (802) 860-3732
www.blodgett.com

P/N 55354 Rev V

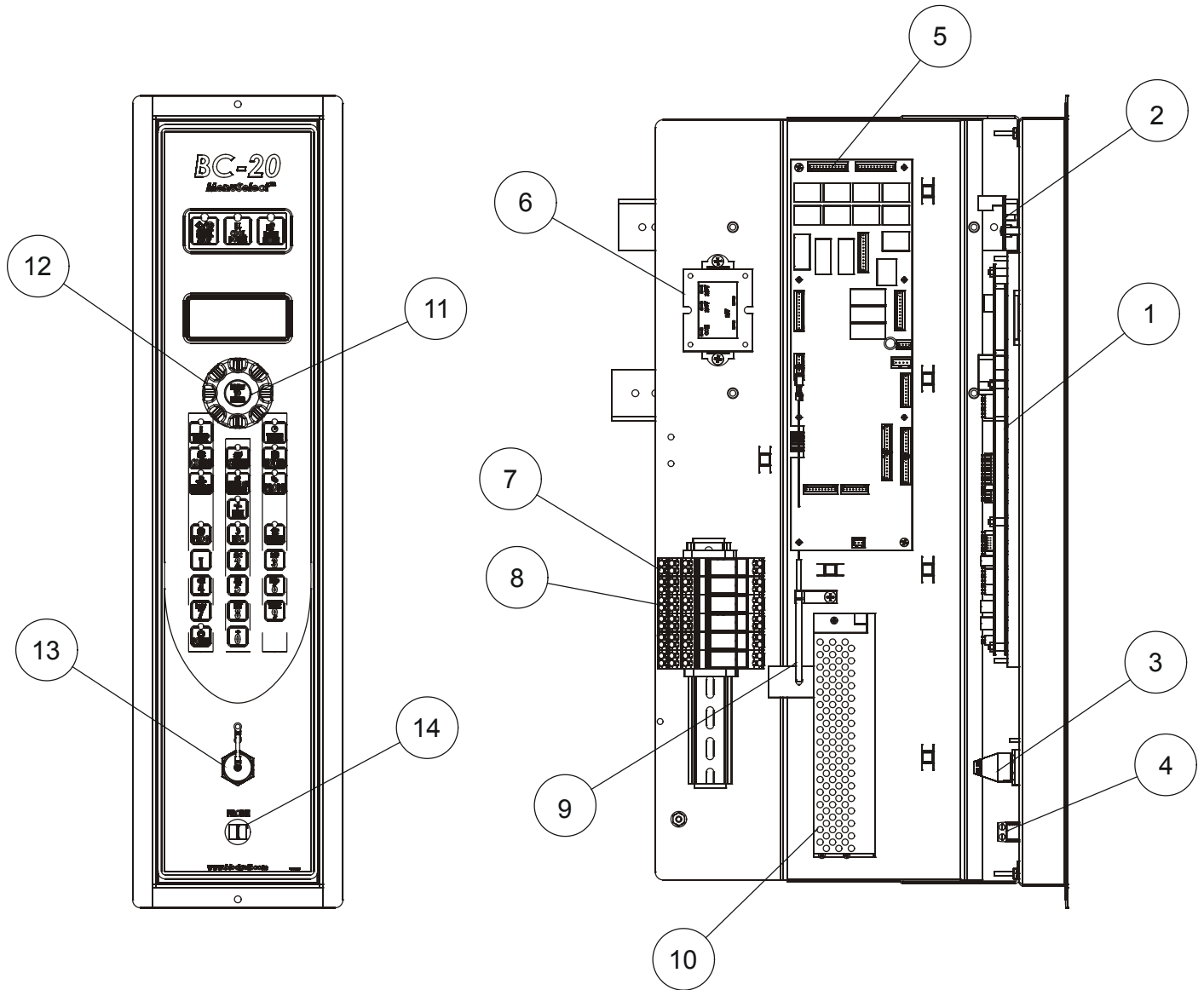
Manual Control Components



Ref. No.	Part No.	Description
1	53913	MANUAL CONTROL
2	18234	POTENTIOMETER
3	52466	MODE SWITCH
4	53759	BUZZER
5	54380	INTERFACE BOARD
6	52948	TRANSFORMER
7	38604	RELAY
8	39343	JUMPER, BUSS BAR
9	51516	PROBE, 100 OHM
10	52946	POWER SUPPLY, 24VDC
11	53146	FAN CONTROL BOARD
12	39781	MEAT PROBE JACK

Ref. No.	Part No.	Description
13	39782	MEAT PROBE JACK PLUG
	56545	MEAT PROBE, 4", DUAL SENSOR
	57685	MEAT PROBE, 4", THIN
14	36617	KNOB, W/OUT ARROW
15	36616	KNOB, WITH ARROW
	R6928	CAVITY PROBE, RT ANGLE
	54075	COMMUNICATIONS CABLE

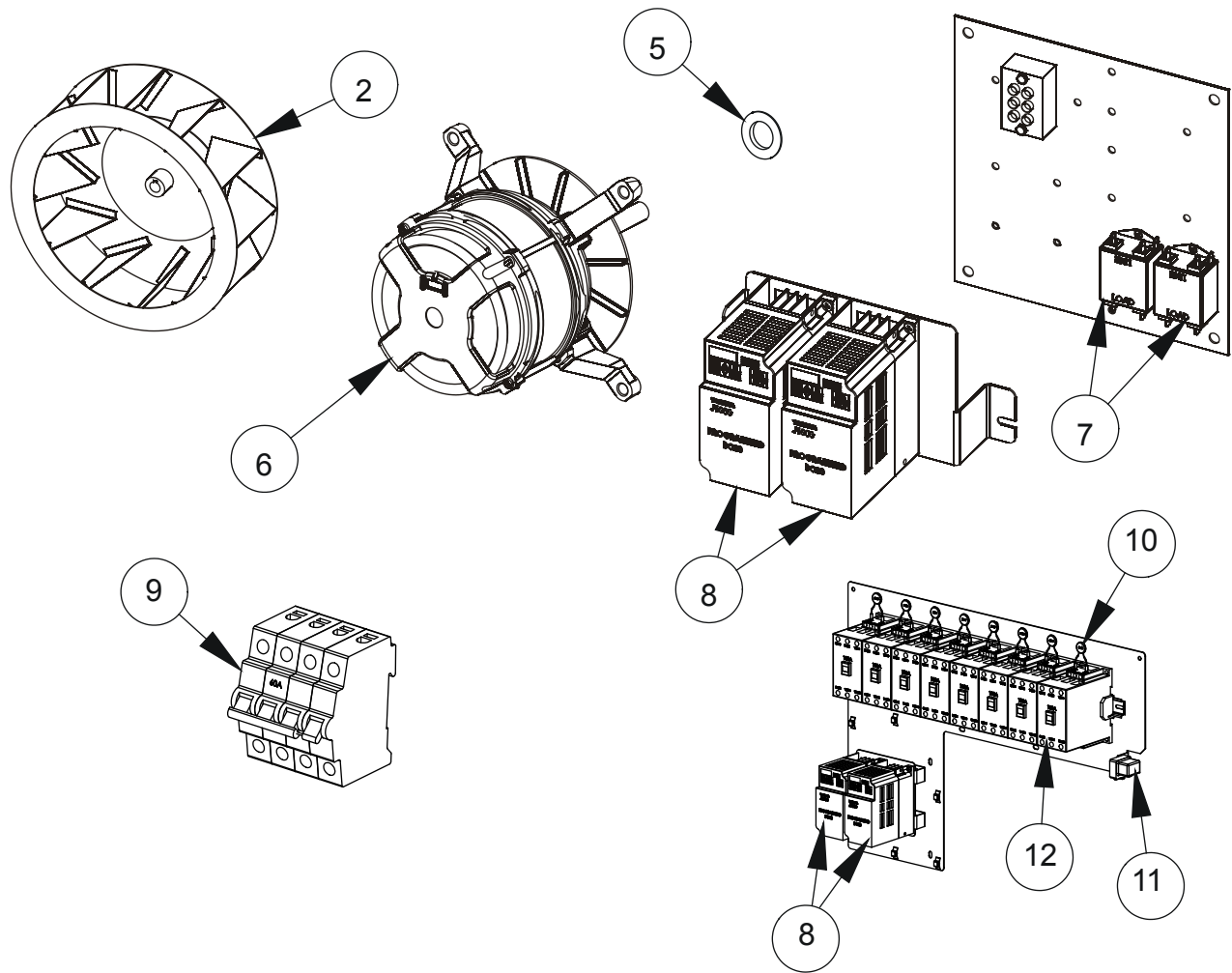
MenuSelect Control Components



Ref. No.	Part No.	Description
1	53481	MENUSELECT CONTROL
2	39122	BOARD, 3 BUTTON
3	52647	USB CABLE, 1M LONG
4	39781	MEAT PROBE JACK
5	54380	INTERFACE BOARD
6	52948	TRANSFORMER
7	38604	RELAY, 24 VDC
8	39343	JUMPER, BUSS BAR
9	51516	PROBE, 100 OHM
10	52946	POWER SUPPLY, 24VDC

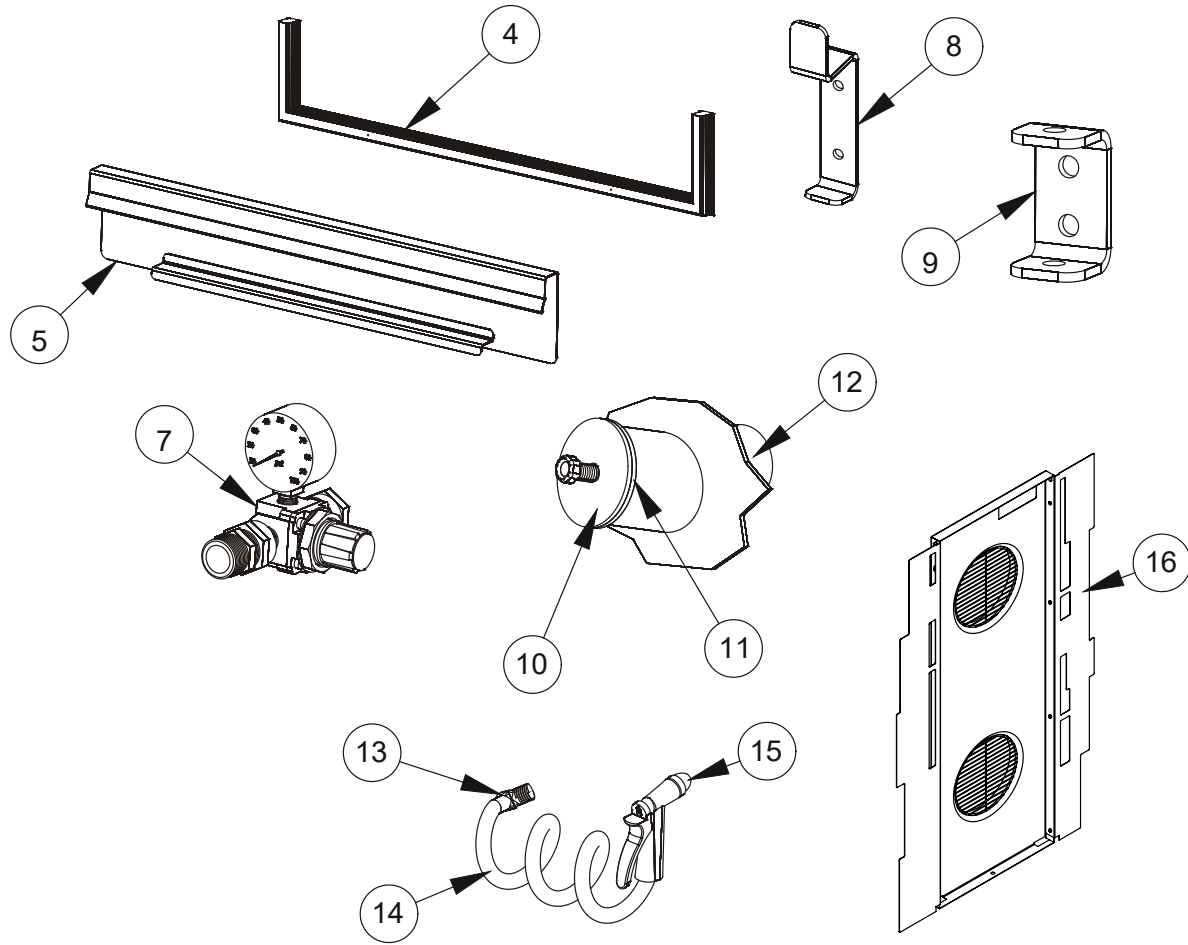
Ref. No.	Part No.	Description
11	50986	DECAL, "PRESS TO ENTER"
12	51372	KNOB
13	52161	USB COVER
14	39782	MEAT PROBE JACK PLUG
	56545	MEAT PROBE, 4", DUAL SENSOR
	57685	MEAT PROBE, 4", THIN
	R6928	CAVITY PROBE, RT ANGLE
	52926	FLASHDRIVE
	54073	COMMUNICATIONS CABLE
	53339	DECAL, MENUSELECT

Blower Motor, Hot Air Elements, Circuit Breakers & Contactors



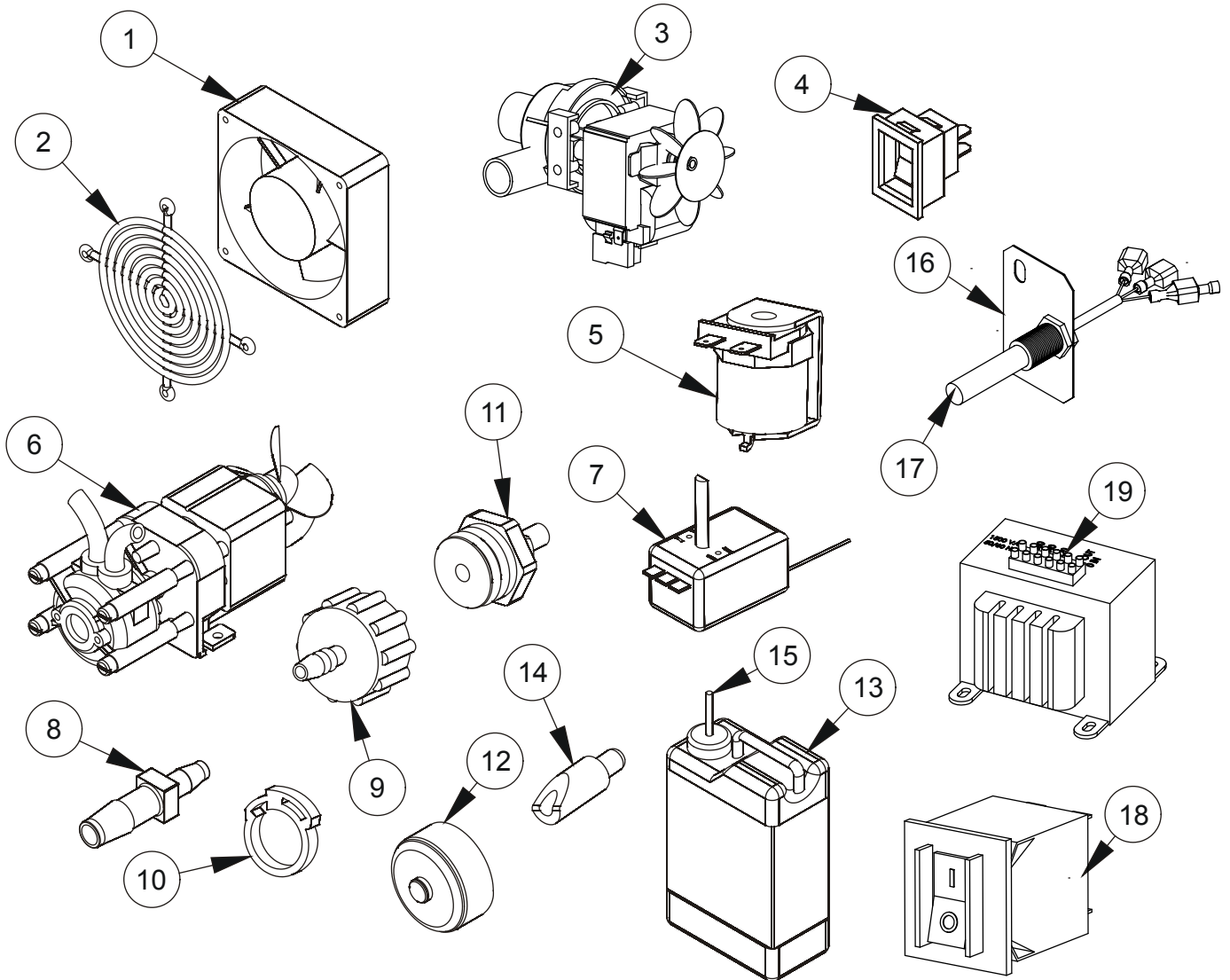
Ref. No.	Part No.	Description
2	R5081	BLOWER WHEEL
5	R4244	MOTOR SHAFT SEAL
6	59909	MOTOR, 1/2 HP WITH KEY, AFTER 4/20/21
6	55301	MOTOR, 1/2 HP WITH KEY, BEFORE 4/20/21
7	53902	FILTER
8	100354	INVERTER DRIVE, AFTER 4/20/21
	100427	KIT, MOTORS AND INVERTERS UPGRADE
	R7189	HOT AIR ELEMENT, 208V
	R7190	HOT AIR ELEMENT, 240V
	R7192	HOT AIR ELEMENT, 480V
9	39804	CIRCUIT BREAKER, 63A, 208-240V MODELS
9	39113	CIRCUIT BREAKER, 480V MODELS
10	33904	MOV ASSEMBLY
11	36441	HIGH LIMIT
12	53431	CONTACTOR 208V MODELS
	53432	CONTACTOR 240V OR 480V MODELS

Interior/Exterior Components



Ref. No.	Part No.	Description
4	53576	TROLLEY GASKET
5	54423	PREHEAT PANEL KIT (INCLUDES ITEM #8)
7	R11210	PRESSURE REGULATOR ASSEMBLY
8	R5392	HOSE HOOK
9	R5391	PROBE HOLDER
10	R7575	PRESSURE RELIEF SPRING
11	R2657	PRESSURE RELIEF GASKET
12	R2814	HOSE, 1 5/8" ID (BY THE FOOT)
13	R0376	CONNECTOR, 3 WAY
14	R10889	HOSE, 1/2" OD X 10'
15	53639	SPRAY NOZZLE
	R10899	SPRAY HOSE ASSEMBLY (INCLUDES ITEMS 13, 14, AND 15)
16	55415	BAFFLE ASSY

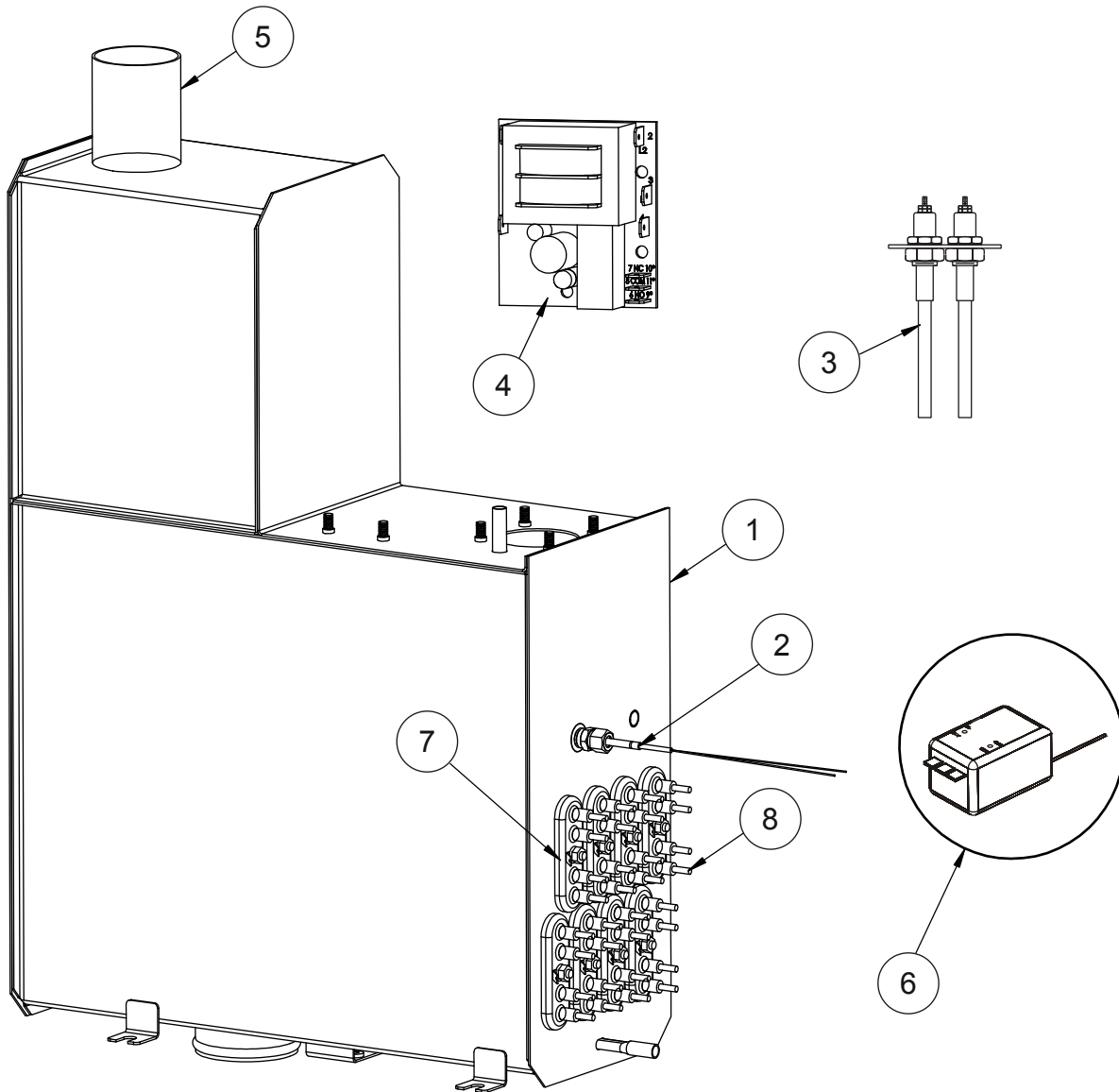
Misc. Electrical & Delime System Components



<u>Ref. No.</u>	<u>Part No.</u>	<u>Description</u>
1	23034	COOLING FAN, 230V 4"
2	22718	FAN GUARD
3	R2726	DRAIN PUMP
4	36376	GAS SWITCH
5	R5075	WATER INLET SOLENOID
	R5094	SOLENIOD, SINGLE (FILL)
	R7910	VARISTOR
6	R10398	DELIME PUMP
7	R3661	QUENCH THERMOSTAT
8	53641	FITTING, BARBED 1/4" X 3/8"
9	53752	FITTING, 3/4" GHT X 1/4" BARB
10	R10391	CLAMP, SNAP-GRIP
11	R10030	DELIME PORT
	R11008	HOSE, 3/8" ID (5 FOOT PIECE)

<u>Ref. No.</u>	<u>Part No.</u>	<u>Description</u>
12	R10039	DELIME PORT CAP
13	R10732	DELIME BOTTLE
14	R11164	DELIME BOTTLE WEIGHT
15	R10394	HOSE, 1/4" ID CLEAR (BY THE FOOT)
16	58702	DOOR SWITCH UPGRADE KIT (INCLUDES ITEM #17) FOR OVENS W/O SECURITY PACKAGE
16	58709	DOOR SWITCH UPGRADE KIT (INCLUDES ITEM #17) FOR OVENS WITH SECURITY PACKAGE
17	58100	DOOR SWITCH
18	39112	CIRCUIT BREAKER
19	51453	480V STEPDOWN TRANSFORMER

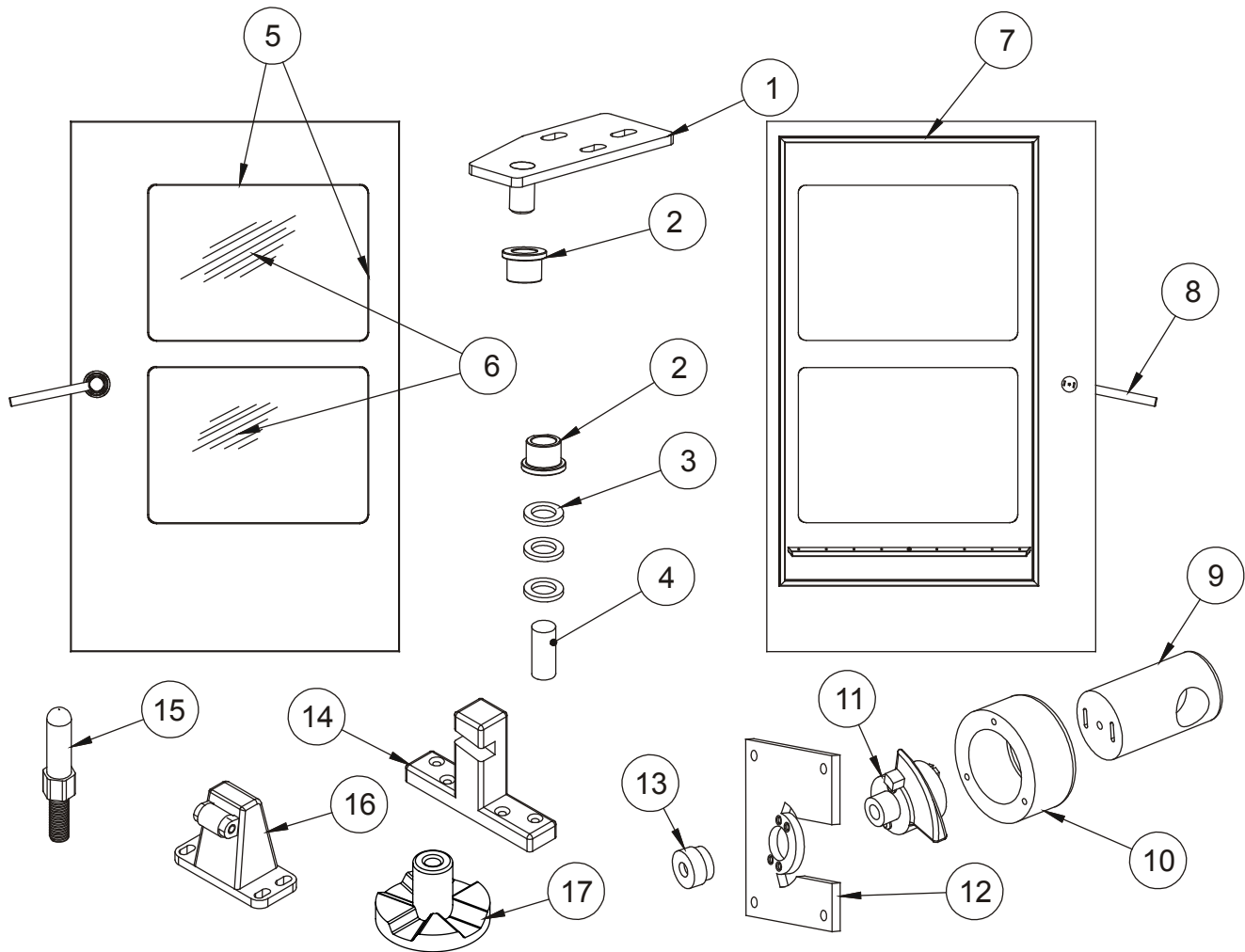
Boiler



Ref. No.	Part No.	Description
1	53482	INSULATED BOILER, W/O ELEMENTS (INCLUDES ITEM #2)
2	39800	RTD PROBE, 1K
3	R6965	LEVEL PROBE ASSEMBLY
4	R5708	LEVEL CONTROL BOARD
5	R4579	HOSE, 2 3/8 ID (BY THE FOOT)
6	R2630	BOILER HIGH LIMIT
7	R2769	STEAM ELEMENT 208V 3KW
	R2772	STEAM ELEMENT 240V 3KW
	R4432	STEAM ELEMENT 480V 3KW
8	R2768	STEAM ELEMENT 208V 6KW
	R2771	STEAM ELEMENT 240V 6KW
	R2770	STEAM ELEMENT 480V 6KW
	R2467	RUBBER DRAIN BOOT
	R8175	HOSE, 1 1/4" ID (BY THE INCH)
	57025	HOSE, 7/8" ID (BY THE INCH)

Door Components

UNITS MANUFACTURED BEFORE 3-20-2014

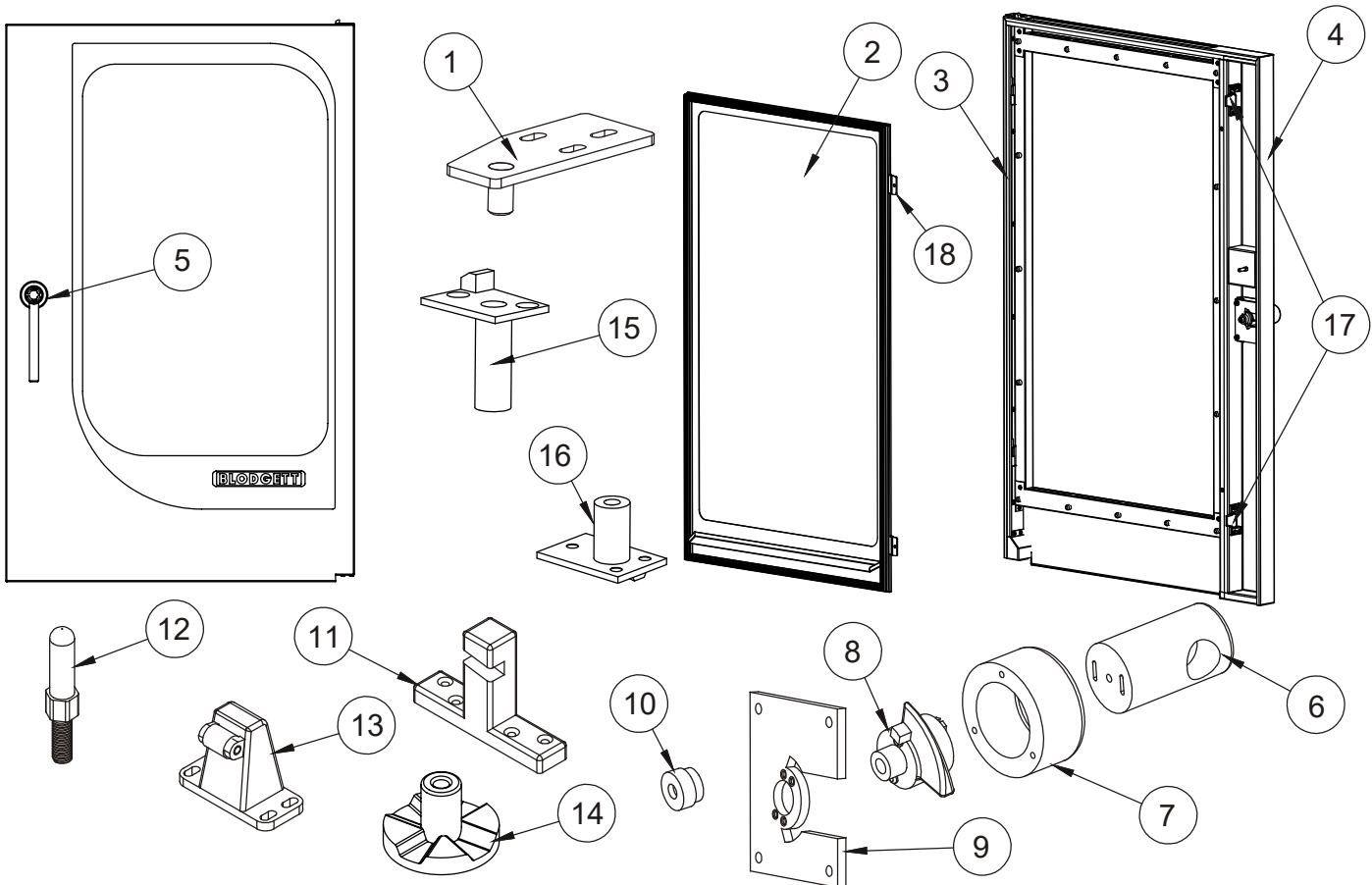


Ref. No.	Part No.	Description
1	R4130	TOP HINGE PLATE
2	15932	BUSHING
3	15933	SPACER
4	R3510	LOWER DOOR PIN
5	R2105	WINDOW GASKET (BY THE FOOT)
6	R5797	WINDOW GLASS
7	53568	DOOR GASKET (FOR OVENS BUILT AFTER 09-07-10)
	R3497	HORIZONTAL GASKET RETAINING STRIP (FOR OVENS BUILT BEFORE 09-07-10)
8	R11101	DOOR HANDLE
9	R7889	HANDLE SUPPORT
10	R11412	HANDLE BUSHING
11	R1082	DOOR HANDLE CAM
12	R7944	DOOR LATCH PLATE

Ref. No.	Part No.	Description
13	R11102	BUSHING
	R11106	COMPLETE HANDLE ASSEMBLY (INCLUDES ITEMS 8 THROUGH 13)
14	R0274	DOOR CAM CATCH
	R1009	PLASTIC INSERT
15	R2844	DOOR SWITCH ACTIVATOR
16	R0922	ROLLER CATCH
17	57132	DOOR DETENT FOR OVENS WITH BLACK GLASS DOOR
	58173	COMPLETE DOOR ASSEMBLY W/O SECURITY
	58172	COMPLETE DOOR ASSEMBLY W/ SECURITY

Black Glass Door Components

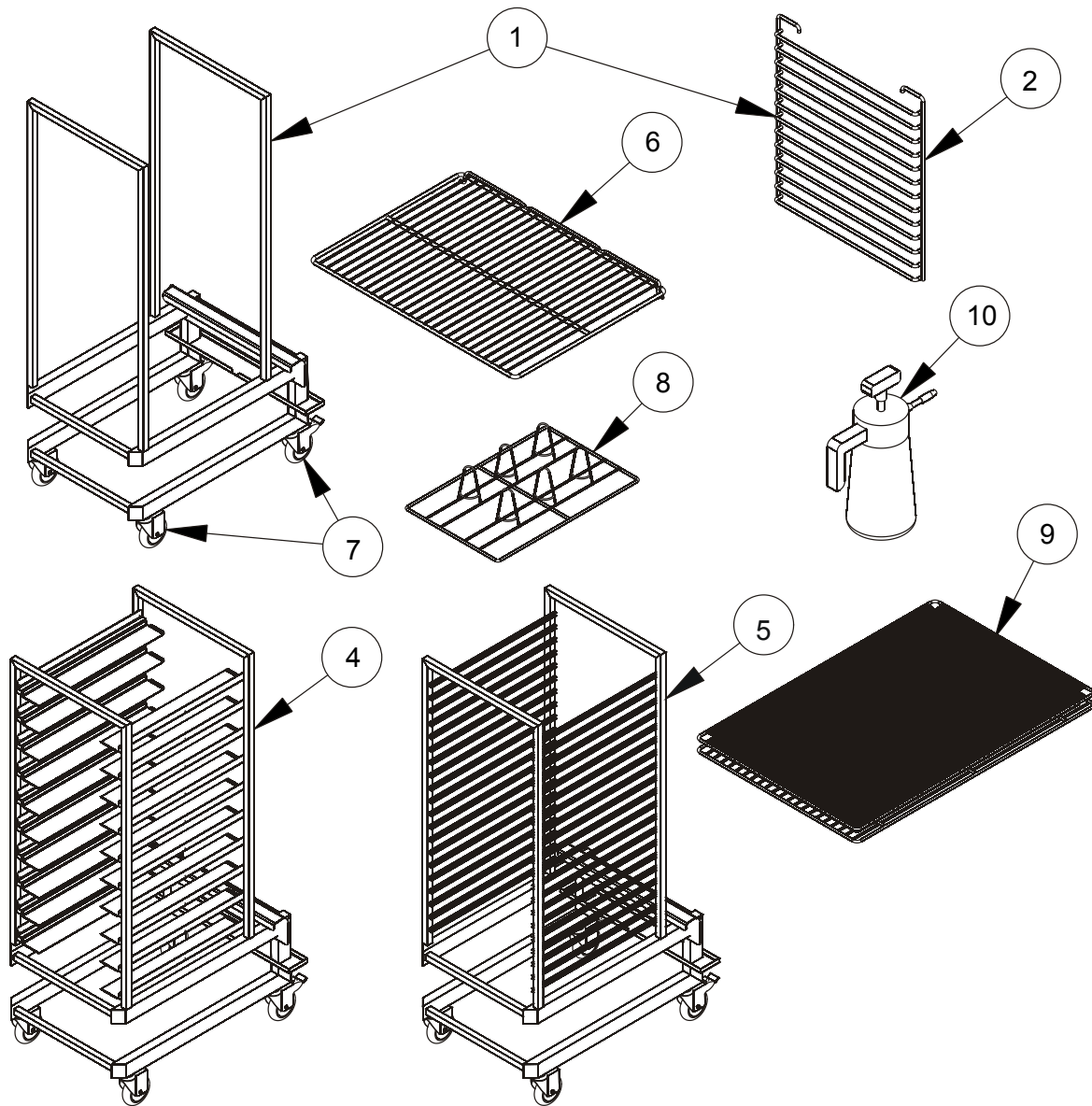
UNITS MANUFACTURED AFTER 3-20-2014



Ref. No.	Part No.	Description
1	56376	TOP HINGE PLATE
2	56371	INNER GLASS ASSEMBLY
3	53568	DOOR GASKET
4	58175	COMPLETE DOOR ASSEMBLY W/O SECURITY
4	58174	COMPLETE DOOR ASSEMBLY W/ SECURITY
5	R11101	DOOR HANDLE
6	R7889	HANDLE SUPPORT
7	R11412	HANDLE BUSHING
8	R1082	DOOR HANDLE CAM
9	R7944	DOOR LATCH PLATE
10	R11102	BUSHING
	R11106	COMPLETE HANDLE ASSEMBLY (INCLUDES ITEMS 8 THROUGH 13)
11	R0274	DOOR CAM CATCH

Ref. No.	Part No.	Description
	R1009	PLASTIC INSERT
12	R2844	DOOR SWITCH ACTIVATOR
13	R0922	ROLLER CATCH
14	60180	DOOR DETENT FOR OVENS WITH BLACK GLASS DOOR
	60055	BOLT, SET M6 X 20 HEX HEAD
15	60176	UPPER DOOR BUSHING
16	60177	LOWER DOOR BUSHING
17	R0923	BALL CATCH
18	R8080	SCREW FOR INNER GLASS

Accessories



Ref. No.	Part No.	Description
1	R5792	TC-14 CART, COMPLETE (INCLUDES 4-ITEM #2)
2	R4487	RACK GUIDE, STANDARD DESIGN FOR TC-14 CART (2 OR 4 PER CART) 13 POSITIONS
4	R5989	TC-10 CART, COMPLETE WITH NON-REMOVABLE UNIVERSAL (RACK OR PAN) GUIDES 10 POSITIONS
5	R5839	TC-20 CART, COMPLETE WITH NON-REMOVABLE STANDARD (RACK) GUIDES 20 POSITIONS
6	R5324	WIRE RACK, TC-14
	R1013	WIRE RACK, TC-20
7	R11249	CASTERS (SET OF 4) TC-14, TC-10, TC-20, OR 96 PLATE BANQUET CART
	R3492	LEG, STANDARD (EA)
	R4803	LEG, SEISMIC (EA)
	R6184	LEG, SEISMIC (SET OF 4)
8	52387	CHICKEN RACK
9	54247	MULTI-PURPOSE FRY RACK
10	R10955	SPRAY BOTTLE
	R11534	96 PLATE BANQUET CART, COMPLETE