



HV-100E & HV-100E-AB HYDROVECTION OVENS REPLACEMENT PARTS LIST

HV-100E

SERIAL LETTER CODE "KE OR KC" (*manufactured on or before 1/20/2017*)

See pages 4 - 16

HV-100E-AB

SERIAL LETTER CODE "KL" (*manufactured after 1/20/2017*)

See pages 17 - 28

EFFECTIVE MAY 20, 2026

Superseding All Previous Parts Lists.

The Company reserves the right to make substitution in the event that items specified are not available.

ERRORS: Descriptive and/or typographic errors are subject to correction.

BLODGETT OVEN COMPANY

42 Allen Martin Drive, Essex Junction, Vermont 05452 USA Telephone: (802) 658-6600 Fax: (802) 860-3732
www.blodgett.com

P/N 53055 Rev AX

SERIAL NUMBER LOCATION / KEY:

IMPORTANT: When ordering parts, please provide the model, gas type and serial number of the oven. The identification plate is located on the back of the oven.

**SERIAL NUMBER IDENTIFICATION CODE:
KE OR KC = HV-100E HYDROVECTION OVEN
KL = HV-100E-AB HYDROVECTION OVEN**

SERIAL NUMBER EXAMPLES

071909KC001

07/19/09 = DATE

KC = LETTER CODE FOR HV-100E

001 = FACTORY SEQUENCE

TABLE OF CONTENTS

HV-100E OVENS - SERIAL LETTER CODE "KE" OR "KC"

MANUAL CONTROLS	5
MENUSELECT™ CONTROLS.....	6
TOUCHSCREEN CONTROL	7
DOORS	8
INTERIOR COMPONENTS - FRONT VIEW.....	10
INTERIOR COMPONENTS - REAR VIEW	12
MOTOR.....	13
ELECTRICAL PANEL	14
EXTERIOR COMPONENTS	16

HV-100E-AB OVENS - SERIAL LETTER CODE "KL"

SMARTTOUCH CONTROL.....	18
SMARTTOUCH 2 CONTROL.....	19
ONE TOUCH CONTROLS	20
MANUAL CONTROL.....	21
PROGRAMMABLE MANUAL CONTROL.....	22
DOORS	23
INTERIOR COMPONENTS.....	24
REAR COMPONENTS	25
MOTOR ASSEMBLY	26
EXTERIOR COMPONENTS	27
ELECTRICAL COMPONENTS	28
ELEMENT COMPONENTS.....	29

HV-100E & HV-100E-AB OVENS

ACCESSORIES	31
-------------------	----

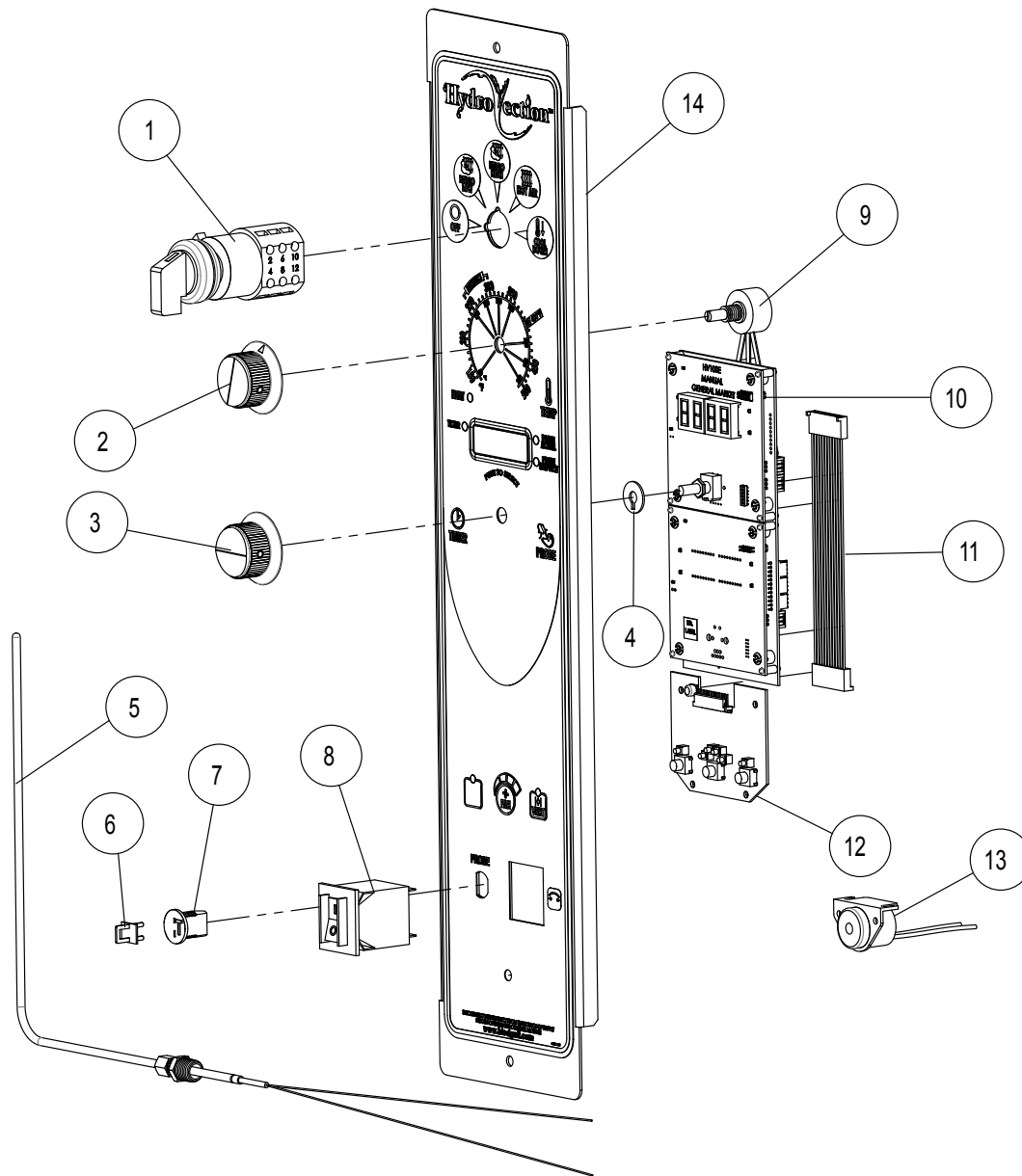
HV-100E OVENS

SERIAL LETTER CODE "KE" OR "KC"

(All Full Size Hydrovection ovens manufactured on or before 1/25/2017)

MANUAL CONTROLS

FOR HV-100E OVENS (MANUFACTURED BEFORE 1/20/2017)

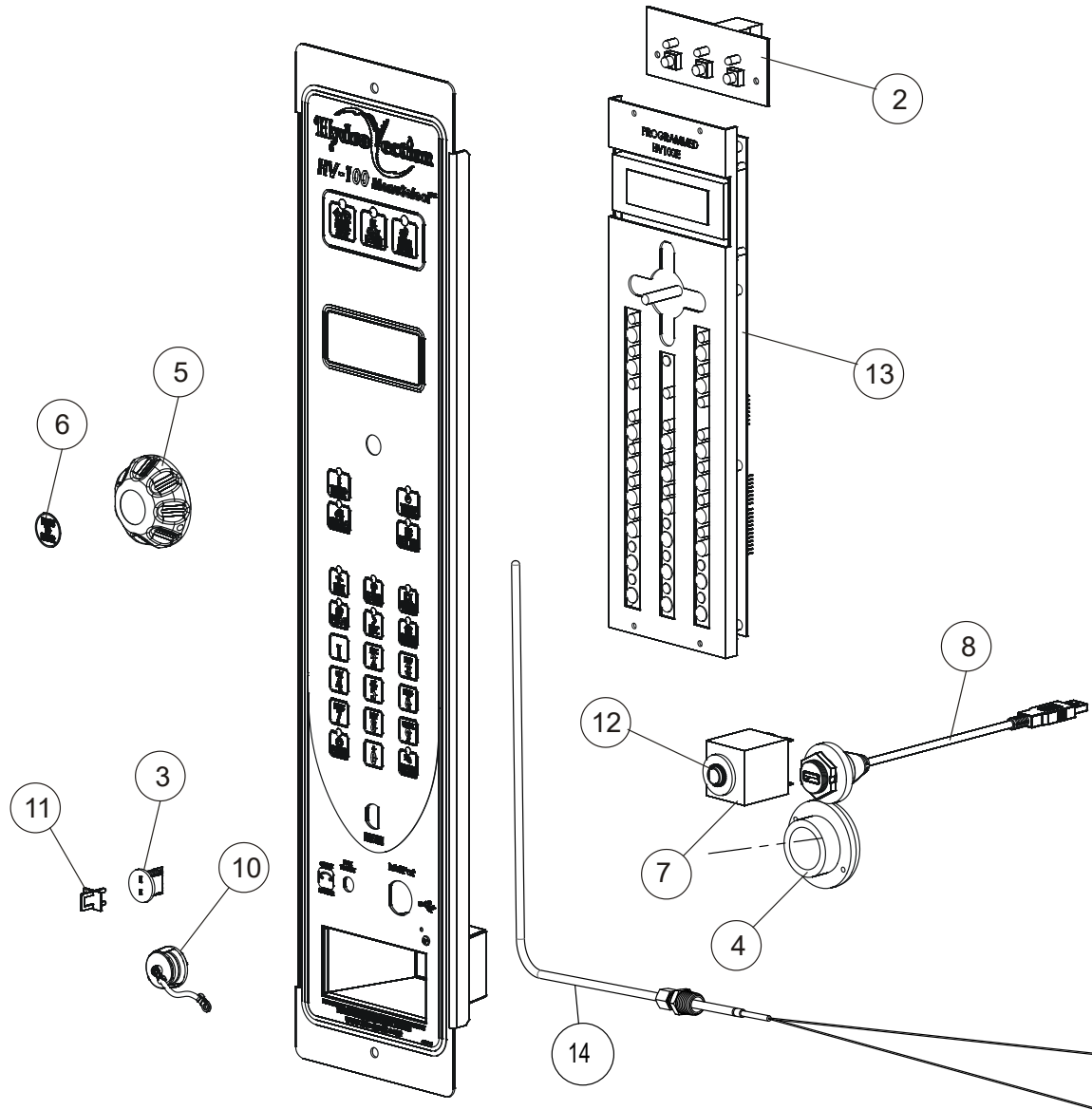


For HV-100E Ovens (Serial Letter Code KE or KC)

Ref. No.	Part No.	Description	Ref. No.	Part No.	Description
1	52466	ROTARY SWITCH, 5 POSITION	10	53400	PROGRAMMED CONTROL, HV100E MANUAL
2	36616	KNOB W/ARROW	11	53344	HARNESS, CONTROL CONNECTOR
3	36617	KNOB W/O ARROW	12	53157	BOARD, 3 BUTTON HYDRO MANUAL
4	54340	SPACER, ENCODER SUPPORT	13	53759	REMOTE BUZZER
5	53007	CAVITY PROBE		54075	COMMUNICATION CABLE
6	39782	MEAT PROBE JACK PLUG	14	58538	PANEL & DECAL W/O HOSE REEL (OVENS AFTER 10-6-11)
7	39781	MEAT PROBE JACK		58543	PANEL & DECAL W HOSE REEL (OVENS BEFORE 10-6-11)
8	39688	CIRCUIT BREAKER, 20A			
9	18234	POTENTIOMETER			

MENSELECT™ CONTROLS

FOR HV-100E OVENS (MANUFACTURED BEFORE 1/20/2017)

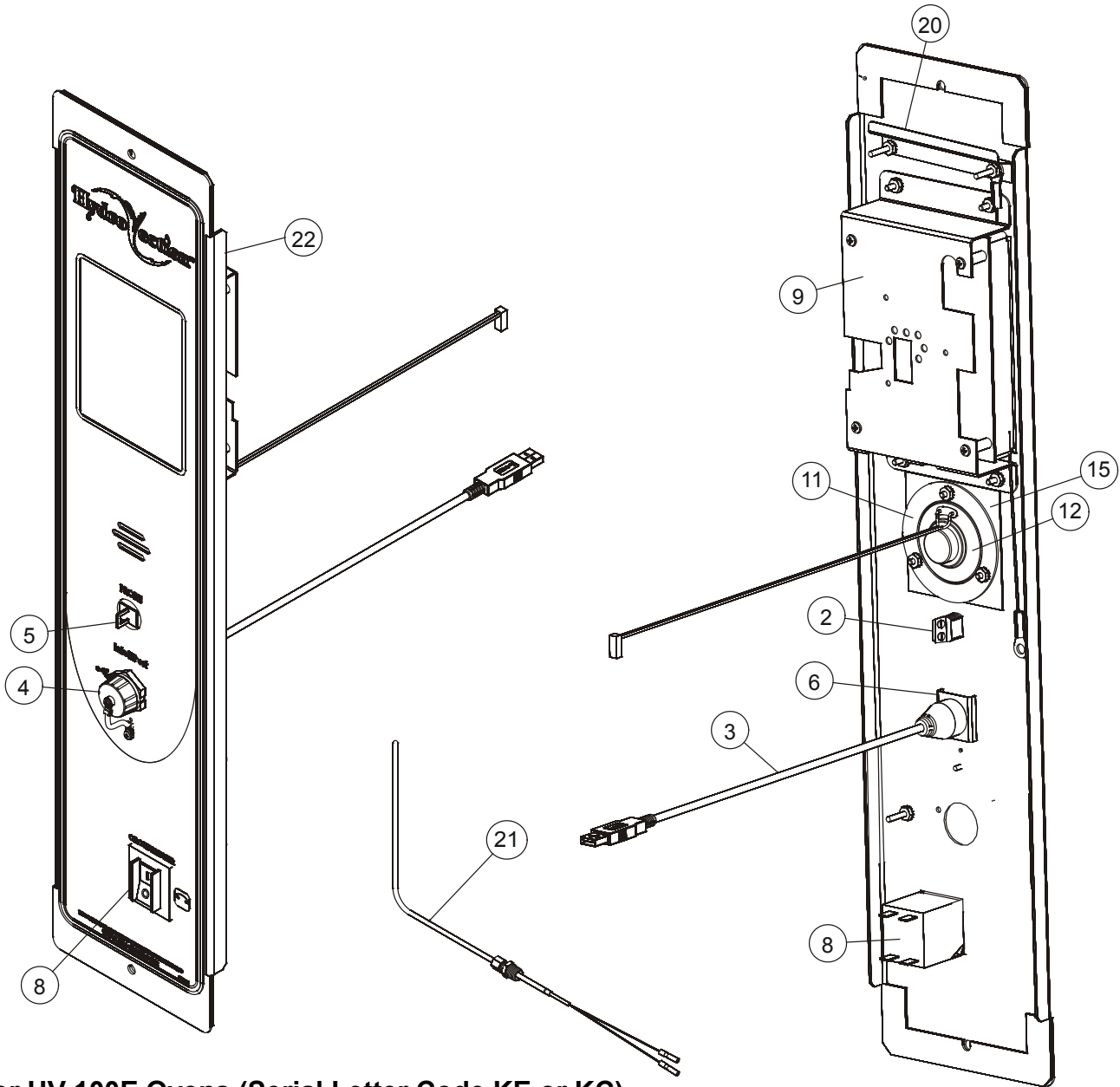


For HV-100E Ovens (Serial Letter Code KE or KC)

Ref. No.	Part No.	Description	Ref. No.	Part No.	Description
2	39122	BOARD, 3 BUTTON PCB	13	53384	PROGRAMMED CONTROL, HV100E KNOB
3	39781	MEAT PROBE JACK		36376	SWITCH, HEAT CUT-OFF
4	52402	HOSE REEL GROMMET		53759	REMOTE BUZZER
5	51372	KNOB, XCEL		54073	CUMMUNICATION CABLE
6	50986	DECAL, PRESS TO ENTER	14	53007	CAVITY PROBE
7	52185	CIRCUIT BREAKER, PUSH BUTTON STYLE			
	39688	CIRCUIT BREAKER, ROCKER STYLE			
8	52647	USB CABLE			
10	52161	COVER, USB			
11	39782	MEAT PROBE JACK PLUG			
12	52233	SPACER, CURCUIT BREAKER			

TOUCHSCREEN CONTROL

FOR HV-100E OVENS (MANUFACTURED BEFORE 1/20/2017)



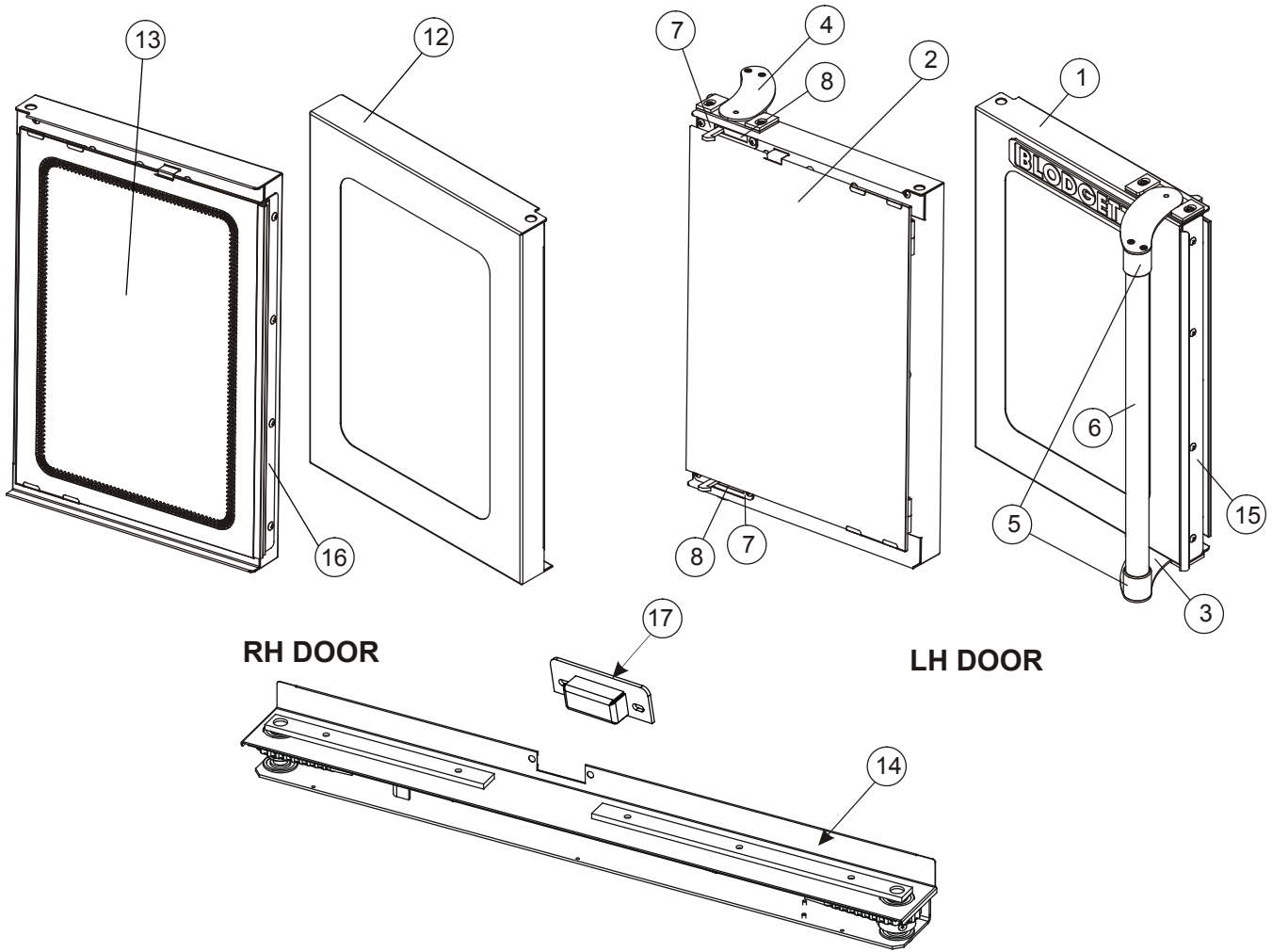
For HV-100E Ovens (Serial Letter Code KE or KC)

Ref. No.	Part No.	Description	Ref. No.	Part No.	Description
2	39781	MEAT PROBE JACK	11	59616	SPEAKER RETAINER
3	52160	USB CABLE	12	59777	SPEAKER KIT, W/RETAINERS
4	52161	COVER, USB	15	54440	SPEAKER COVER
5	39782	MEAT PROBE JACK PLUG	20	52806	DEFLECTOR, CONTROL PANEL DRIP
6	52600	SPACER, USB PORT	21	53007	CAVITY PROBE
8	39688	CIRCUIT BREAKER, 20A		54330	COMMUNICATIONS CABLE
9	101915	SMART TOUCH 2 CONTROL PANEL UPGRADE, GENERAL MARKET	22	58540	PANEL & DECAL
9	101850	SMART TOUCH 2 CONTROL PANEL UPGRADE, DUNKIN DONUTS			

DOORS

STAINLESS STEEL

FOR HV-100E OVENS (MANUFACTURED BEFORE 1/20/2017)



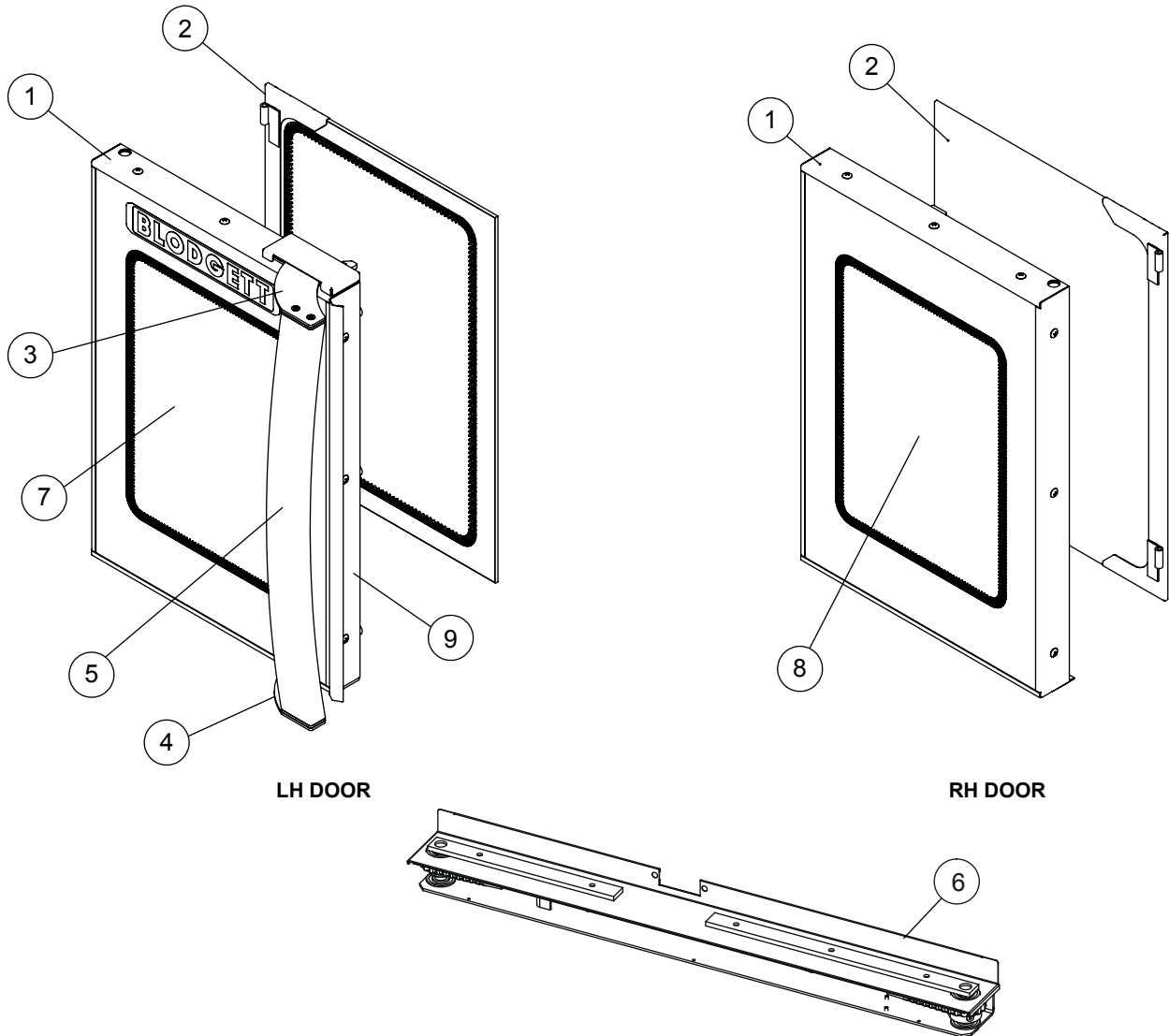
For HV-100E Ovens (Serial Letter Code KE or KC)

Ref. No.	Part No.	Description	Ref. No.	Part No.	Description
1	56762	ASSEMBLY, LH OUTER DOOR, WITH BLACK BORDER ON GLASS	12	56766	ASSEMBLY, RH OUTER DOOR, WITH BLACK BORDER ON GLASS
	53825	ASSEMBLY, LH OUTER DOOR WITH RED BORDER ON GLASS	13	51556	ASSEMBLY, RH INNER DOOR GLASS WITH BLACK BORDER ON GLASS
2	51534	ASSEMBLY, LH INNER DOOR GLASS WITH BLACK BORDER ON GLASS	14	57953	DOOR TURNBUCKLE ASSEMBLY
	53827	ASSEMBLY, LH INNER DOOR GLASS WITH RED BORDER ON GLASS		52514	DOOR SWITCH ASSEMBLY
3	57016	ASSY, LATCH RH	15	51450	LH DOOR CENTER CHANNEL
4	57015	ASSY, LATCH LH	16	51610	RH DOOR CENTER GASKET
5	50213	END CAP, HANDLE		51631	RUBBER BUMPER (PUSH IN STYLE)
6	51542	ASSEMBLY, DOOR HANDLE		60185	BUMPER (SCREW IN STYLE)
7	51539	PLATE, LATCH COVER	17	57889	CATCH LATCH ASSEMBLY
8	51668	GASKET, DOOR LATCH			

DOORS

BLACK GLASS

FOR HV-100E OVENS (MANUFACTURED BEFORE 1/20/2017)

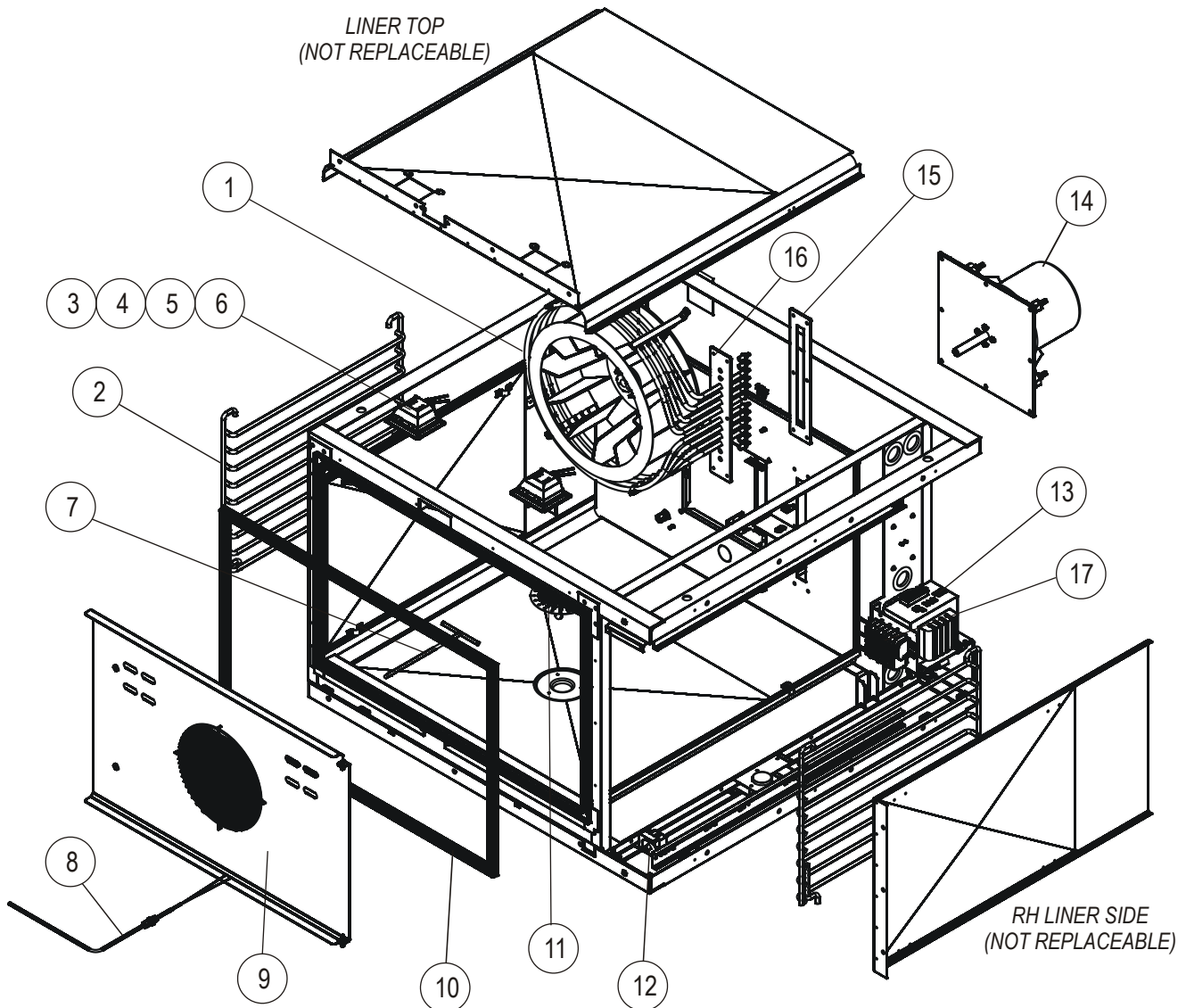


For HV-100E Ovens (Serial Letter Code KE or KC)

Ref. No.	Part No.	Description	Ref. No.	Part No.	Description
1	55528	LH OUTER DOOR (COMPLETE AS SHOWN)	6	57953	DOOR TURNBUCKLE
1	55542	RH OUT DOOR (COMPLETE AS SHOWN)		52514	DOOR SWITCH
2	51534	LH INNER GLASS	7	55531	LH FRONT GLASS
	51556	RH INNER GLASS	8	55532	RH FRONT GLASS
3	58939	LATCH ASSY, RECT, LH	9	55533	CENTER TRIM
4	58938	LATCH ASSY, RECT, RH		51610	CENTER DOOR GASKET
5	55608	DOOR HANDLE		60185	BUMPER (SCREW IN STYLE)
				51519	CLIP, DOOR GLASS

INTERIOR COMPONENTS - FRONT VIEW

FOR HV-100E OVENS (MANUFACTURED BEFORE 1/20/2017)



INTERIOR COMPONENTS - FRONT VIEW

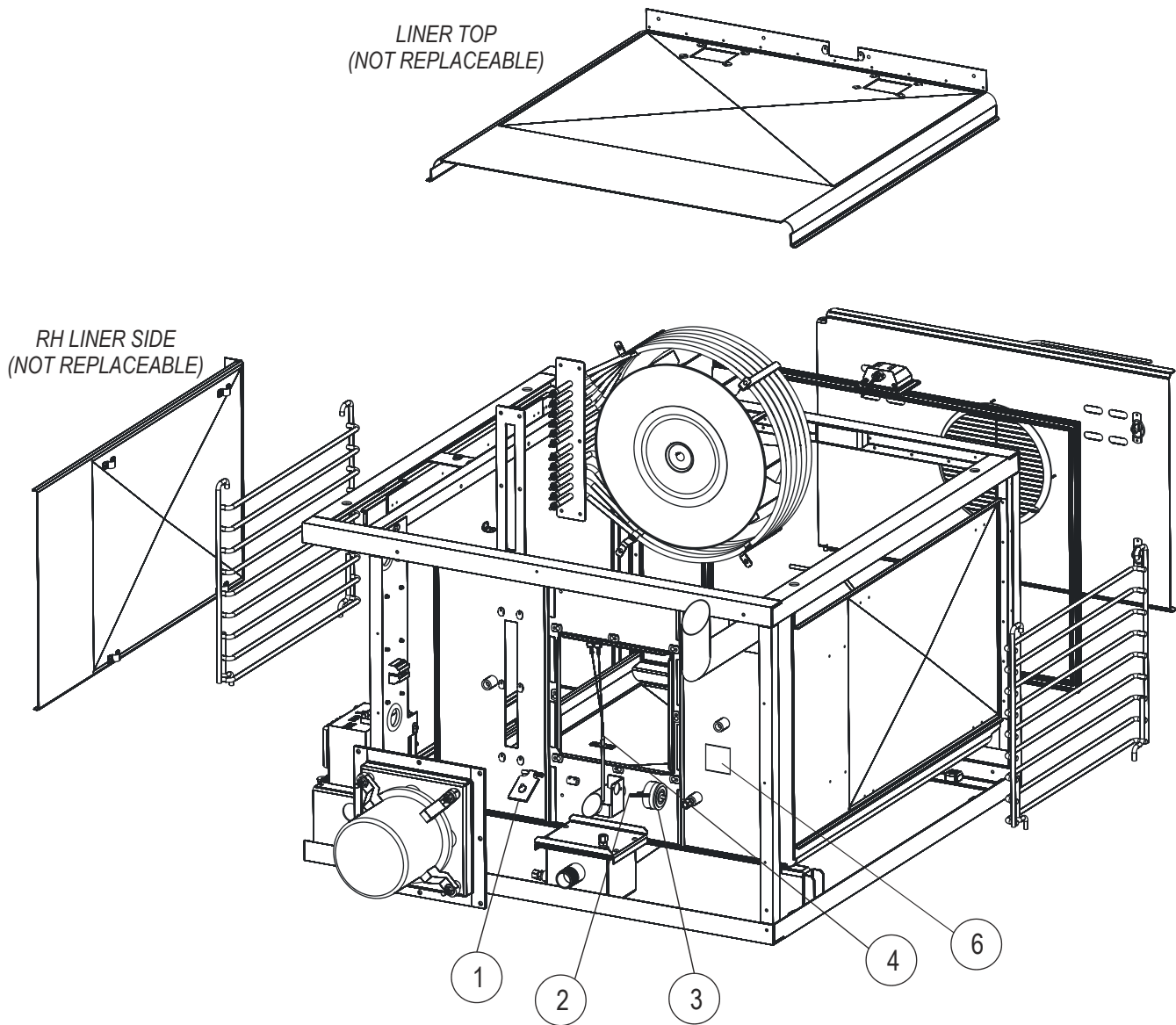
FOR HV-100E OVENS (MANUFACTURED BEFORE 1/20/2017)

For HV-100E Ovens (Serial Letter Code KE or KC)

Ref. No.	Part No.	Description	Ref. No.	Part No.	Description
1	52958	BLOWER WHEEL WITH KEY\ (BEFORE 6/21/12)	9	52321	BAFFLE (BEFORE 6/21/12)
1	55303	BLOWER WHEEL WITH KEY\ (AFTER 6/21/12)	9	54863	BAFFLE (AFTER 6/21/12 & BEFORE 11/12/13)
2	54856	SIDE RACK SUPPORT (SET OF 2)	9	57496	BAFFLE (AFTER 11/11/13)
	59046	WIRE RACK	10	52716	PERIMETER GASKET
3	D0128	LIGHT BULB FOR SQUARE LIGHT, TYPE G4 .16" BETWEEN PINS	11	50506	DRAIN STRAINER
	57075	LIGHT BULB FOR SQUARE LIGHT, TYPE G5.3 .21" BETWEEN PINS	12	36441	HIGH LIMIT THERMOSTAT
	53101	LIGHT BULB FOR ROUND LIGHT	13	51453	440-480V TRANSFORMER
4	50192	GLASS FOR SQUARE LIGHT	14	55301	KIT, MOTOR (HANNING)
5	D0127	GASKET FOR SQUARE LIGHT	14	39333	MOTOR ASSEMBLY (BEFORE 6/21/12)
6	D0125	BEZEL FOR SQUARE LIGHT	14	54293	MOTOR ASSEMBLY (AFTER 6/21/12)
	53081	LENS & GASKETS FOR ROUND LIGHT	15	52304	ELEMENT GASKET
	57058	HOUSING, SOCKET AND BULB FOR SQUARE LIGHT	16	53280	14 kW, 208V ELEMENT ASSEMBLY AND GASKET KIT
	53194	HOUSING, SOCKET AND BULB FOR ROUND LIGHT	16	53281	14 kW, 220/440V ELEMENT ASSEMBLY AND GASKET KIT
7	52957	WATER INJECTION TUBE AND FITTING KIT (BEFORE 6/21/12)	16	53282	14 kW, 240/480V ELEMENT ASSEMBLY AND GASKET KIT
8	53007	CAVITY TEMPERATURE PROBE AND FITTING KIT	17	39733	TERMINAL BLOCK
				53101	HALOGEN BULB, 12V 20W GY6 .35"
				58996	FRONT CAVITY VENT GASKET

INTERIOR COMPONENTS - REAR VIEW

FOR HV-100E OVENS (MANUFACTURED BEFORE 1/20/2017)

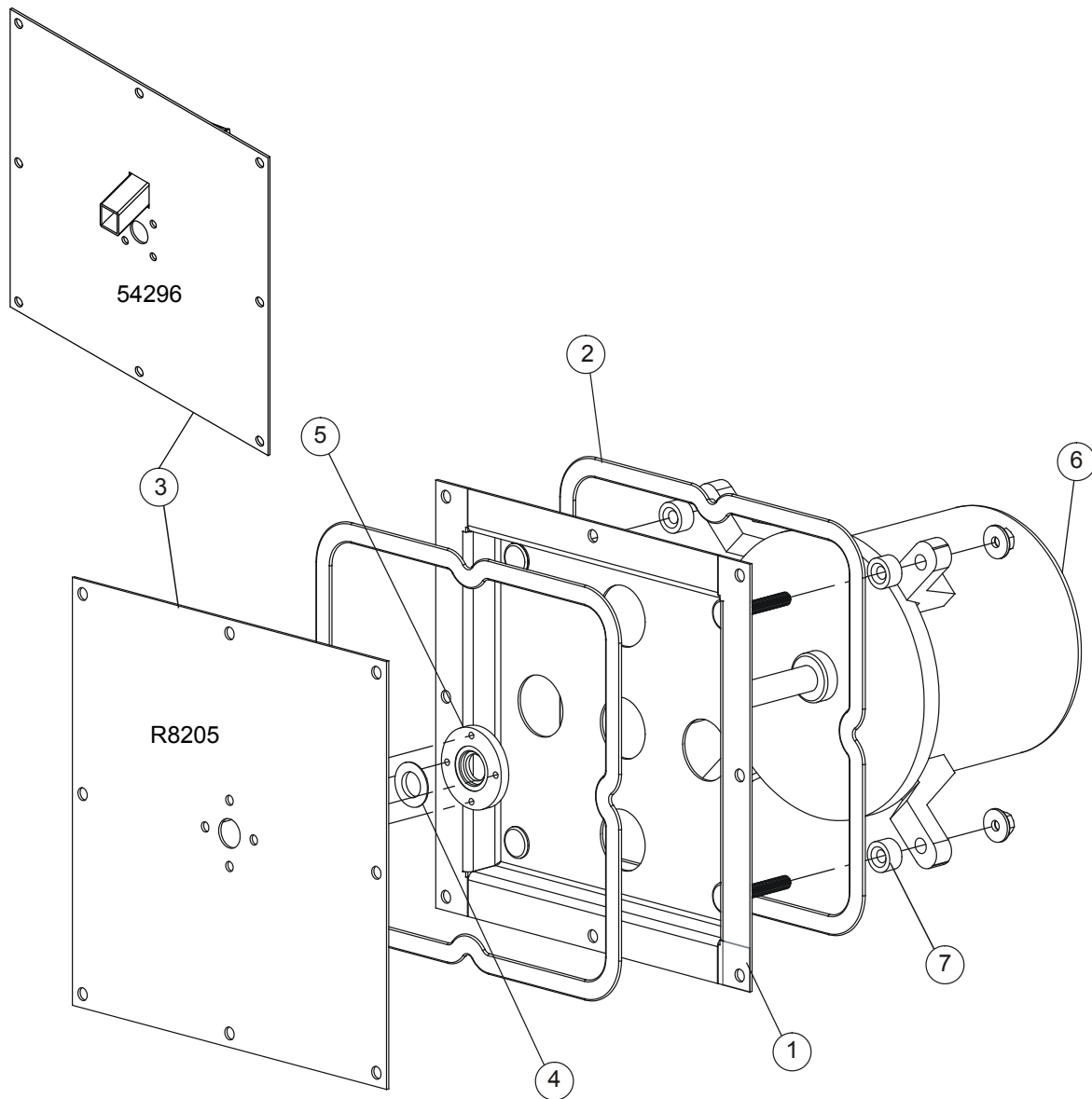


For HV-100E Ovens (Serial Letter Code KE or KC)

Ref. No.	Part No.	Description	Ref. No.	Part No.	Description
1	50204	VENT LID ASSEMBLY (BEFORE 6/21/12)	3	53008	CAVITY VENT SOLENOID
1	55024	VENT LID ASSEMBLY W/COUPLING (AFTER 6/21/12)	4	36720	QUENCH PROBE
2	39329	SHAFT COUPLING (BEFORE 6/21/12)	6	58992	GASKET & COVER
2	55025	SHAFT COUPLING (AFTER 6/21/12)			

MOTOR

FOR HV-100E OVENS (MANUFACTURED BEFORE 1/20/2017)

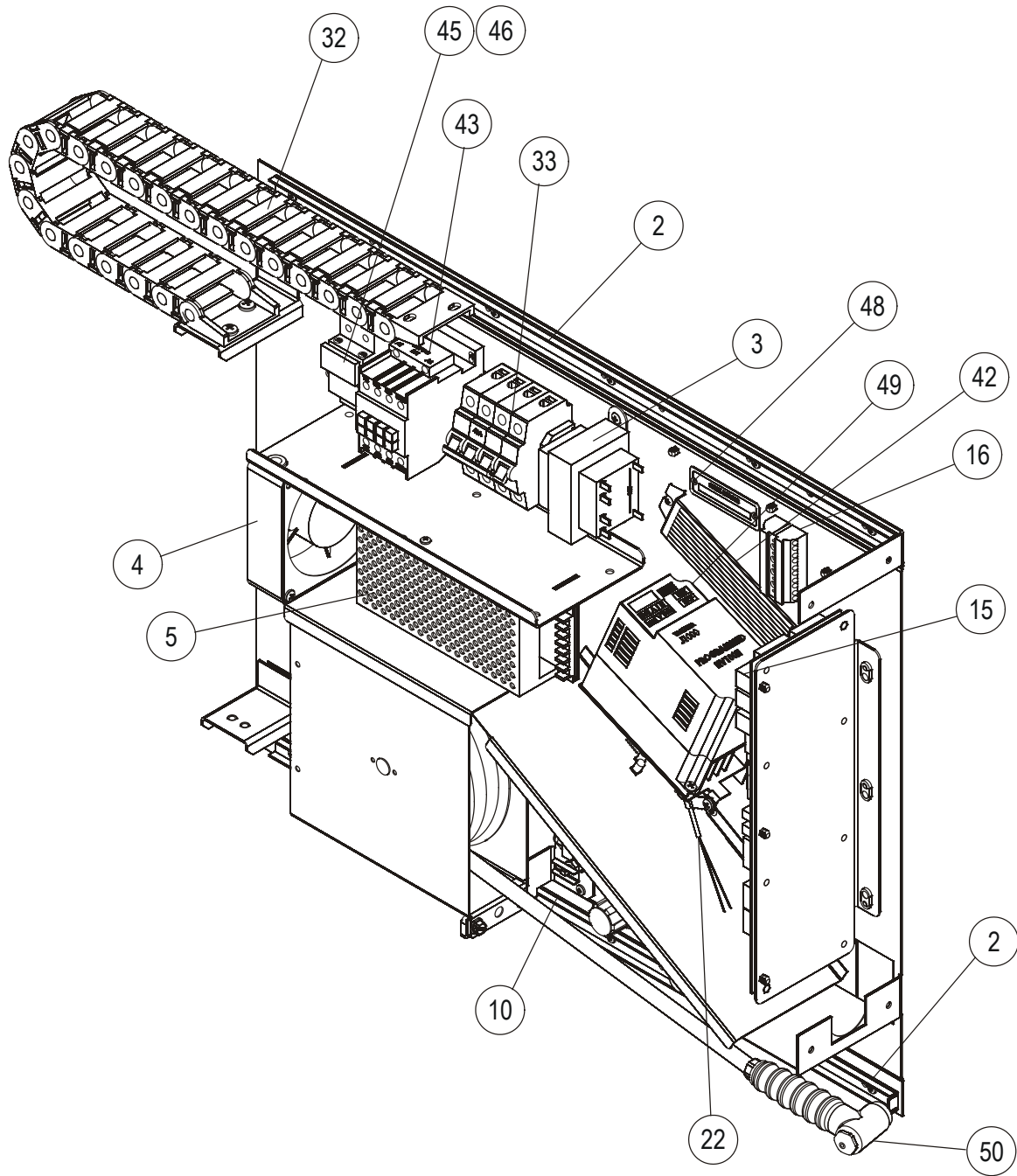


For HV-100E Ovens (Serial Letter Code KE or KC)

Ref. No.	Part No.	Description	Ref. No.	Part No.	Description
1	39448	MOTOR MOUNT ASSEMBLY (BEFORE 6/21/12)	3	54296	PLATE, FAN BRACKET COVER (AFTER 6/21/12)
1	54294	MOTOR MOUNT ASSY (AFTER 6/21/12)	4	R4244	SHAFT SEAL
2	56956	MOTOR MOUNT GASKET	5	R8955	SEAL RETAINER
3	R8205	PLATE, FAN BRACKET COVER (BEFORE 6/21/12)	6	59909	MOTOR, 220V, 1/2 HP WITH KEY
			7	R1971	SPACER, RACK GUIDE (QTY 4)

ELECTRICAL PANEL

FOR HV-100E OVENS (MANUFACTURED BEFORE 1/20/2017)



ELECTRICAL PANEL

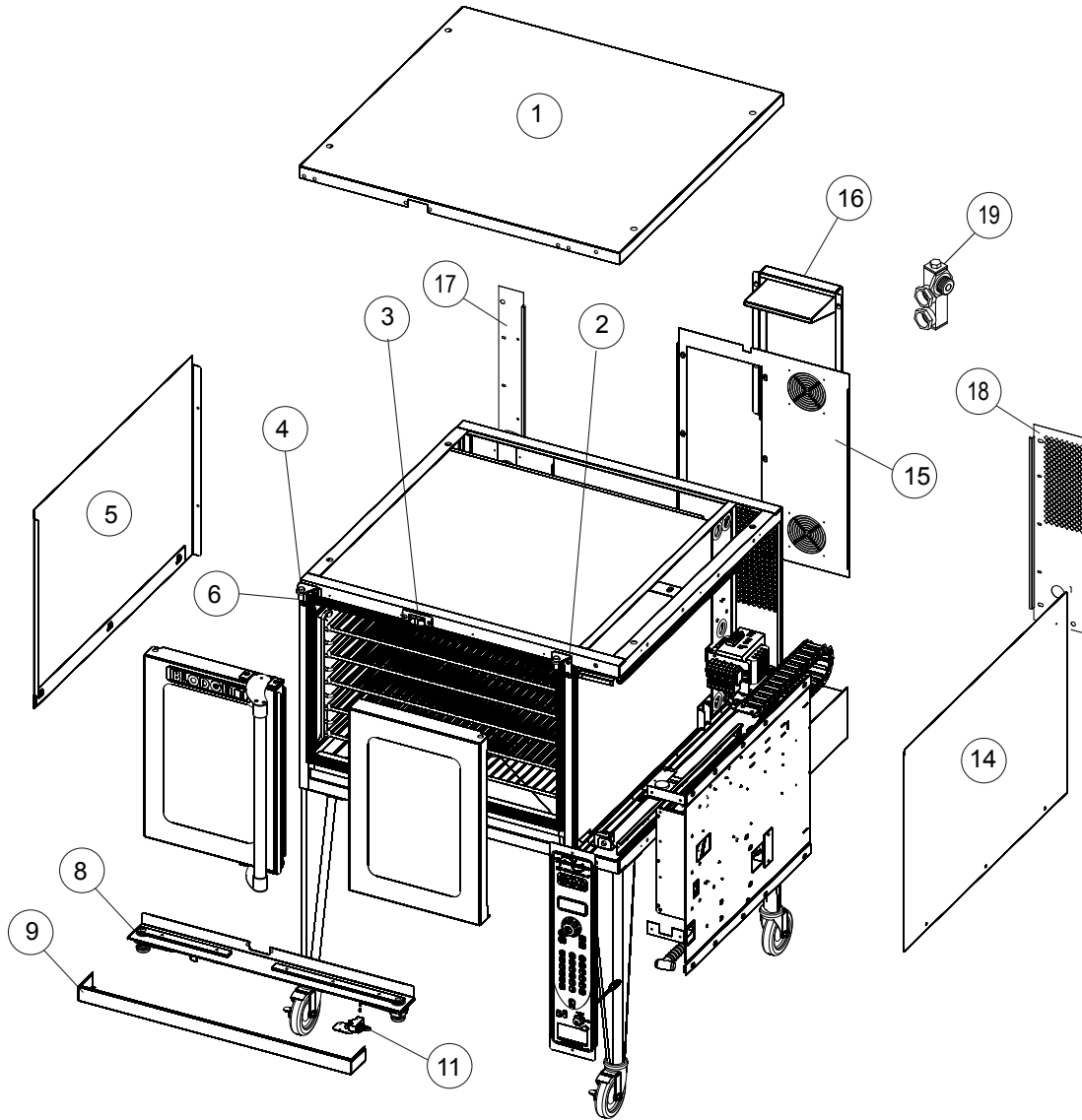
FOR HV-100E OVENS (MANUFACTURED BEFORE 1/20/2017)

For HV-100E Ovens (Serial Letter Code KE or KC)

<u>Ref. No.</u>	<u>Part No.</u>	<u>Description</u>	<u>Ref. No.</u>	<u>Part No.</u>	<u>Description</u>
2	51588	DRAWER SLIDE, MOVING		39120	RELAY, SOLID STATE (BEFORE 6-15-2009)
3	24356	TRANSFORMER, 120V TO 24V 80VA			
4	52947	AXIAL FAN, 4" (24V)	45	51454	FUSE HOLDER, 440-480V ONLY
5	52946	24VDC POWER SUPPLY	46	51455	FUSE, 7A 600V, 440-480V ONLY
	M3166	FUSE, POWER SUPPLY	49	59634	KIT, HV100E AA DIGI, VFD
10	58533	ASSY, WATER MANIFOLD		59635	KIT, HV100E AA ANA, VFD
	58350	FLOW VALVE AFTER 5-15-2015	50	52998	HOSE REEL NOZZLE
15	54380	INTERFACE BOARD, MANUAL OR MENUSELECT CONTROLS		52663	WATER TUBING KIT (CONSISTS OF 6' OF EACH COLOR TUBING)
	53206	INTERFACE BOARD, TOUCHSCREEN CONTROLS (BEFORE 11/8/13)		51016	HARNESS, INVERTER DRIVE
	57727	INTERFACE BOARD, TOUCHSCREEN CONTROLS (AFTER 11/8/13)		51616	FITTING, 1/4NPT X 1/4 TUBE PUSH-IN
16	50952	TERMINAL BLOCK, 5 POSITION PUSH IN		52351	BLUE POLYURETHANE TUBING (BY THE INCH)
22	51516	PROBE, 3/16" DIA. 100 OHM RTD		53902	NOISE FILTER
32	52292	2" WIDE CABLE CARRIER			
33	53271	50A CIRCUIT BREAKER 208-240V (14 KW ELEMENT)			
33	52446	25A CIRCUIT BREAKER 440-480V (14 KW ELEMENT)			
42	52706	RESISTOR, MOTOR BRAKING			
43	52717	CONTACTOR, 3 PHASE, 60A, 24VDC COIL FOR 12 KW ELEMENT(AFTER 6-15-2009)			

EXTERIOR COMPONENTS

FOR HV-100E OVENS (MANUFACTURED BEFORE 1/20/2017)



For HV-100E Ovens (Serial Letter Code KE or KC)

Ref. No.	Part No.	Description	Ref. No.	Part No.	Description
1	51253	BODYTOP		58329	CENTER BODY BACK, AFTER 5/4/2015
2	51082	RH HINGE	16	57104	BODYBACK ACCESS PANEL, BEFORE 5/4/2015
3	57889	DOOR CATCH (TOP AND BOTTOM)		58597	BODYBACK ACCESS PANEL, AFTER 5/4/2015
4	51081	LH HINGE	17	51255	RH BODYBACK BEFORE 5/4/2015
5	52479	LH BODYSIDE		58331	RH BODYBACK AFTER 5/4/2015
6	51591	HINGE PIN (LEFT AND RIGHT)	18	51254	LH BODYBACK BEFORE 5/4/2015
8	57953	TURNBUCKLE ASSEMBLY		58330	LH BODYBACK AFTER 5/4/2015
9	51698	FRONT TRIM	19	54715	WATER MANIFOLD ASSEMBLY
11	52514	DOOR SWITCH ASSEMBLY			
14	51105	RH BODYSIDE			
15	51651	CENTER BODY BACK, BEFORE 5/4/2015			

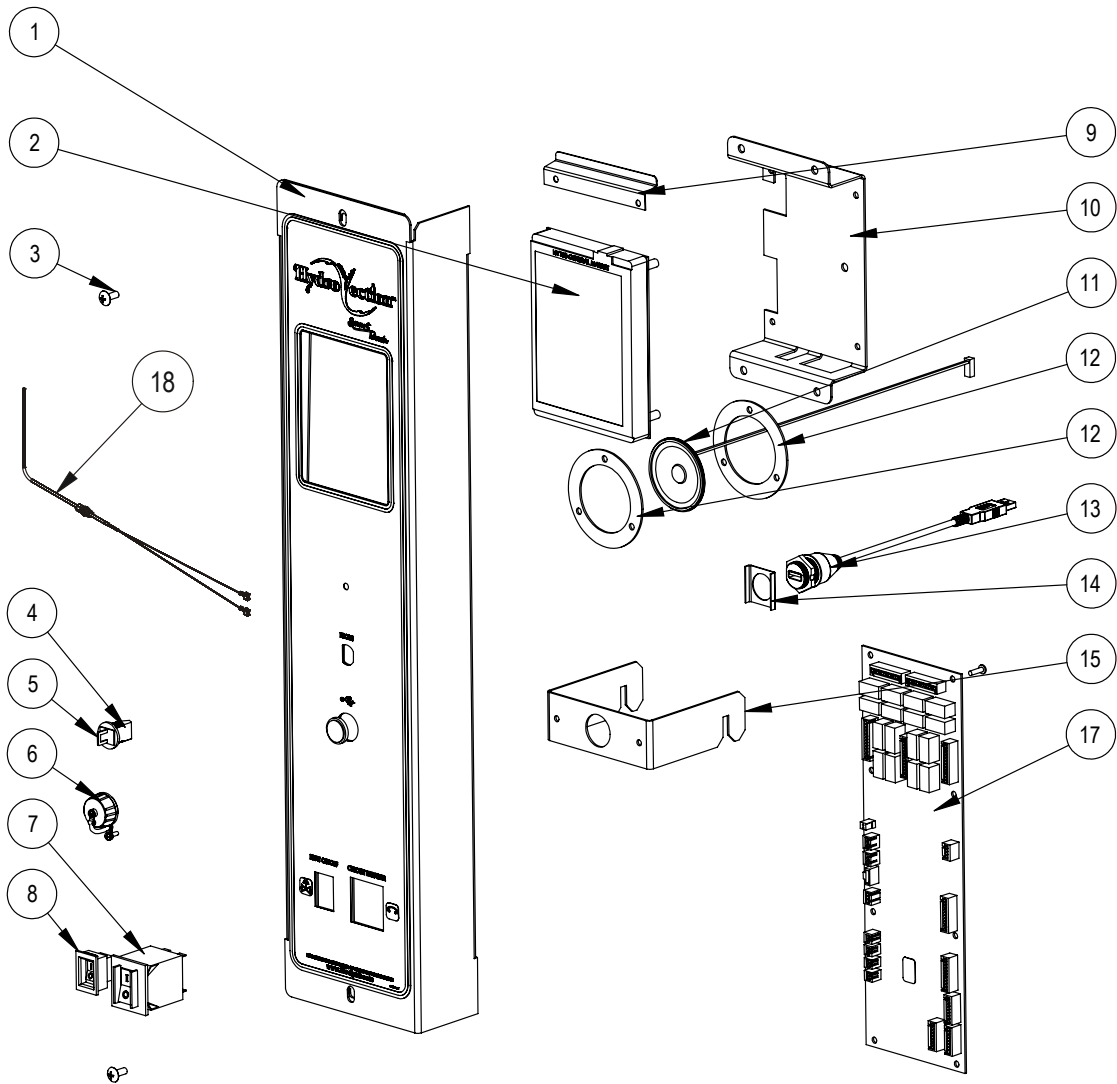
HV-100E-AB OVENS

SERIAL LETTER CODE "KL"

(All Full Size Hydrovection ovens manufactured after 1/20/2017)

SMARTTOUCH CONTROL

FOR HV-100E-AB OVENS (MANUFACTURED AFTER 1/20/2017 AND BEFORE 8/1/2017 FOR GENERAL MARKET OR AFTER 1/20/2017 AND BEFORE 9/1/2018 FOR DUNKIN DONUTS)

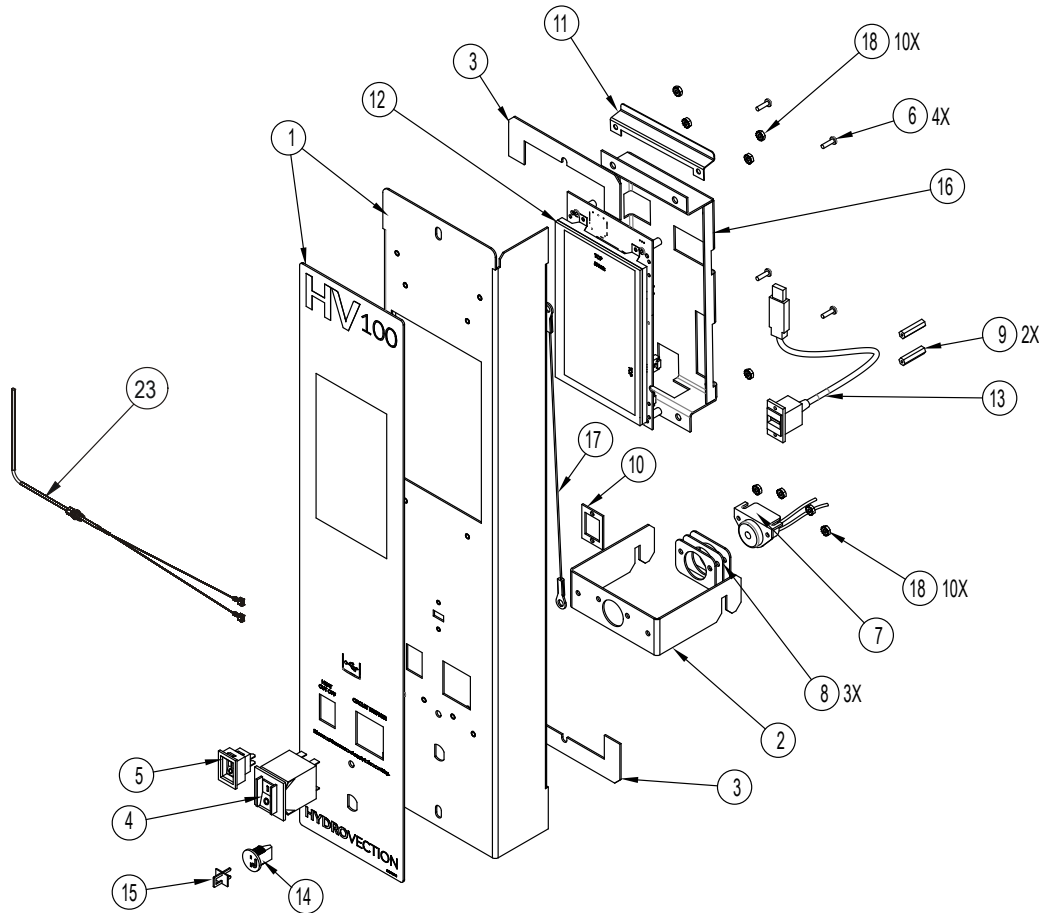


For HV-100E Ovens (Serial Letter Code KL)

Ref. No.	Part No.	Description	Ref. No.	Part No.	Description
1	59205	PANEL & DECAL	12	59616	SPEAKER RETAINER
2	59713	UPGRADE KIT, SMARTTOUCH TO SMARTTOUCH 2, DUNKIN'	13	52160	USB CABLE
3	16384	10-24 X 1/2 TRUSS HEAD SCREW	14	52600	SPACER, USB PORT
4	39781	MEAT PROBE JACK	15	58918	BRACKET, HANGING HV100
5	39782	MEAT PROBE JACK PLUG	16	54330	COMMUNICATION CABLE, HV100 TS
6	52161	COVER, USB	17	57727	RELAY BOARD, TOUCH SCREEN
7	39688	CIRCUIT BREAKER, 20A	18	53007	CAVITY PROBE
8	36376	SWITCH, GAS, ON/OFF			
9	52806	DEFLECTOR			
10	53986	TOUCH SCREEN FRAME			
11	59777	SPEAKER KIT, W/RETAINERS			

SMARTTOUCH 2 CONTROL

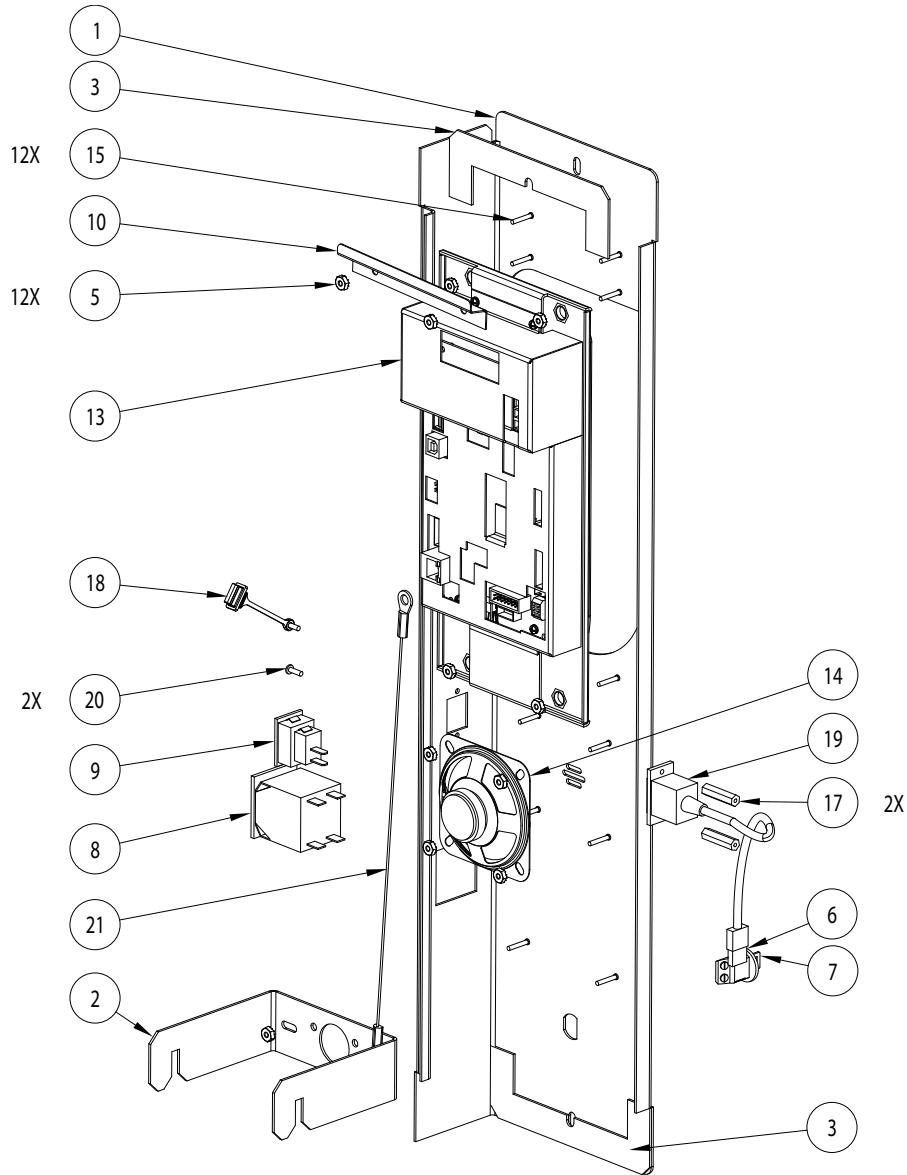
FOR HV-100E-AB OVENS (MANUFACTURED AFTER 8/1/2017,
OR AFTER 9/1/2018 FOR DUNKIN DONUTS)



For HV-100E Ovens (Serial Letter Code KL)

Ref. No.	Part No.	Description	Ref. No.	Part No.	Description
1	59855	PANEL & DECAL ASSY	14	39781	MEAT PROBE JACK
2	58918	HANGING BRACKET	15	39782	MEAT PROBE JACK PLUG
3	R4872	GASKET, TILT PANEL, BY THE INCH	16	59348	TOUCH SCREEN BRACKET
4	39688	CIRCUIT BREAKER, 20A	17	20043	12" STRAIN RELIEF
5	36376	GAS ON/OFF SWITCH	18	M3367	NUT, 6-32 KEPS
6	34478	SCREW, 6-32 X 0.5 SELF TAPPING	19	59032	HARNES, HV FRONT LINE (NOT SHOWN)
7	53759	BUZZER	20	54330	COM CABLE, 20", TOUCHSCREEN (NOT SHOWN)
8	53921	BUZZER SPACER	21	59542	HARNES, BEEPER, ADDER (NOT SHOWN)
9	59434	STANDOFF #4-40 X1"	22	59029	HARNES, HV FRONT TS DIGI (NOT SHOWN)
10	59280	USB SPACER	23	53007	CAVITY PROBE
11	59349	DEFLECTOR BRACKET		101535	UPGRADE KIT, SMARTTOUCH 2 CONTROL TO ONE TOUCH CONTROL
12	59360	CONTROL, TS, HV100		59713	COMPLETE CONTROL ASSY, SMARTTOUCH2, DUNKIN
12	59812	CONTROL, TS, HV100 K12			
12	59720	CONTROL, TS LBBQ			
12	59719	CONTROL, TS LSH			
	59718	CONTROL, TS DD			
13	59565	USB CABLE			

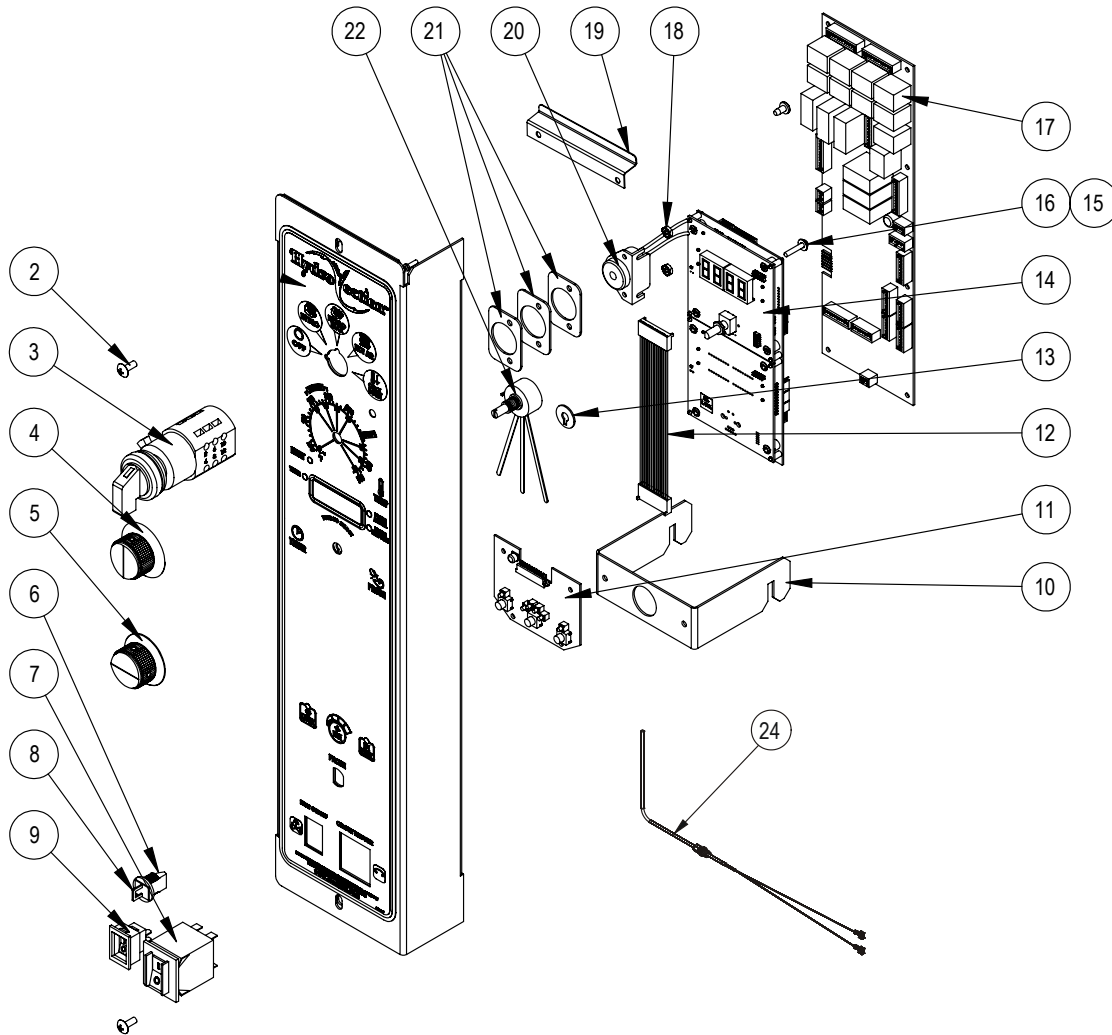
ONE TOUCH CONTROLS



Ref. No.	Part No.	Description	Ref. No.	Part No.	Description
1	100855	CONTROL PANEL, HV 100 HLUI	13	101390	GM PRGM CTRL, HLUI, HV100E
2	58918	BRACKET, HANGING, HV 100	13	101695	K12 PRGM CTRL, HLUI, HV100E
3	R4872	GASKET, TILT PANEL	14	101480	SPEAKER, HLUI, CUI
4	59032	HARNESS, HV FRONT LINE	15	R1548	WELD STUD, #6-32 X 5/8"
5	M3367	NUT, 6-32 KEPS	16	R9508	LABEL, POWER DISCONNECT WARNING
6	39781	MEAT PROBE JACK	17	59434	STANDOFF, #4-40X1"
7	39782	MEAT PROBE JACK PLUG	18	101653	DUST PLUG, USB
8	39688	CIRCUIT BREAKER, 20A	19	59565	USB CABLE, STRAIGHT
9	36376	SWITCH, GAS, ON/OFF	20	38840	SCREW, MACH, 4-40 X 3/8, SS PAN HD
10	100901	BRACKET, DEFLECTOR	21	20043	STRAIN RELIEF, 12"
11	101393	HLUI COMMUNICATIONS CABLE			
12	101395	HARNESS, HV FRONT, HLUI			

MANUAL CONTROL

FOR HV-100E-AB OVENS (MANUFACTURED AFTER 1/20/2017 AND BEFORE 8/1/2017)

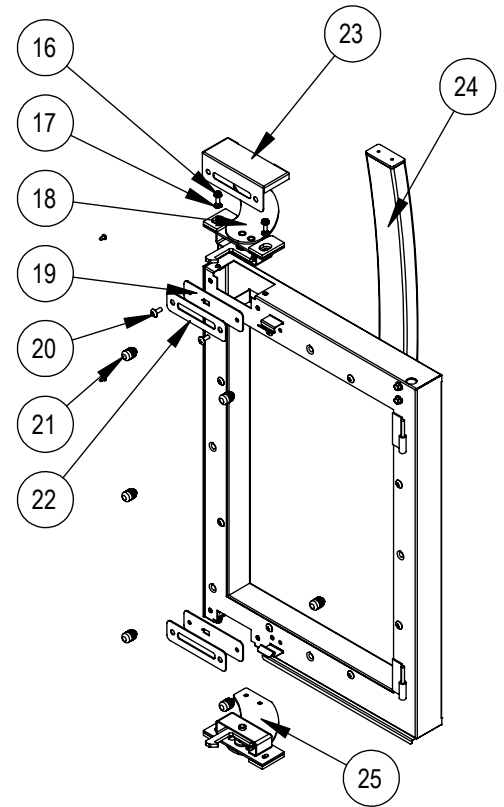
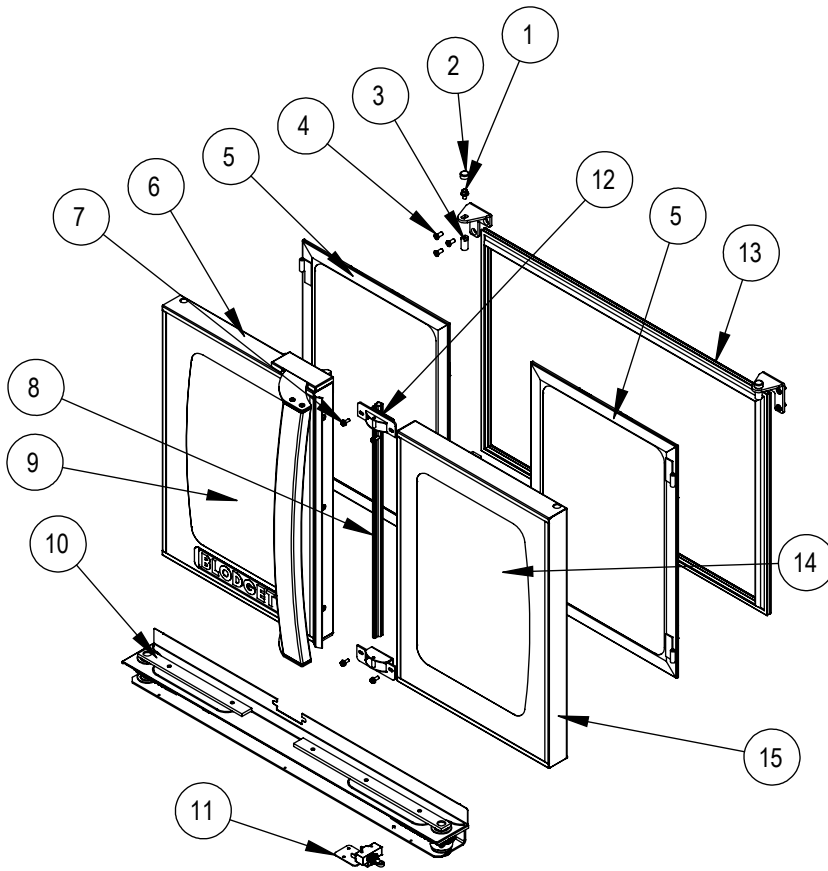


For HV-100E Ovens (Serial Letter Code KL)

Ref. No.	Part No.	Description	Ref. No.	Part No.	Description
2	16384	10-24 X 1/2 TRUSS HEAD SCREW	14	59150	PROGRAMMED CONTROL, HV100 MANUAL
3	52466	ROTARY SWITCH, 5 POSITION	15	M1421	#6 WASHER
4	36616	KNOB, WITH ARROW	16	34480	#6-32 X 3/4 SCREW
5	36617	KNOB, NO ARROW	17	54380	INTERFACE BOARD, HV100 MANUAL
6	39781	MEAT PROBE JACK	18	M3367	6-32 NUT, KEPS
7	39688	CIRCUIT BREAKER, 20A	19	52806	DEFLECTOR
8	39782	MEAT PROBE JACK PLUG	20	53759	BUZZER
9	36376	GAS CUTOFF SWITCH	21	53921	BUZZER SPACER
10	58918	BRACKET, HANGING, HV100	22	18234	POTENTIOMETER
11	53157	3 BUTTON CIRCUIT BOARD	23	59078	MANUAL CONTROL, FULL ASSEMBLY AS SHOWN (WITHOUT INTERFACE BOARD)
	54075	COMMUNICATION CABLE (NOT SHOWN)	24	53007	CAVITY PROBE
12	53344	MANUAL CONTROL CONNECTOR HARNESS			
13	54340	ENCODER SUPPORT SPACER			

DOORS

FOR HV-100E-AB OVENS (MANUFACTURED AFTER 1/20/2017)

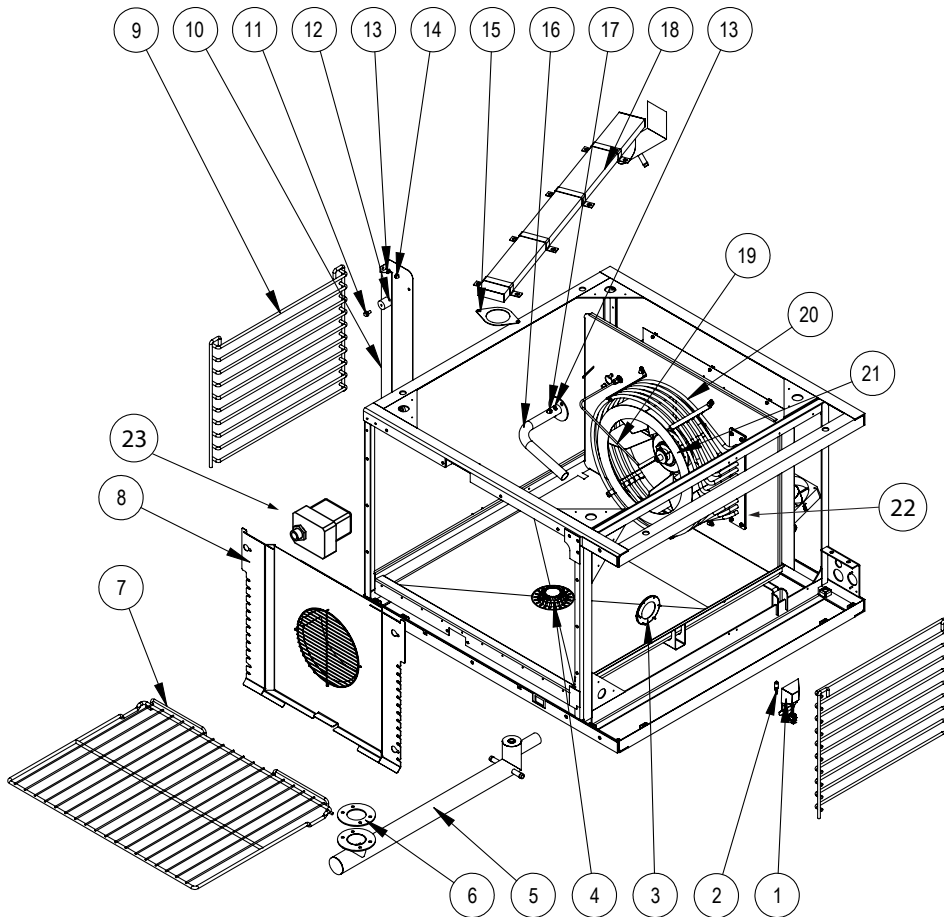


For HV-100E Ovens (Serial Letter Code KL)

Ref. No.	Part No.	Description	Ref. No.	Part No.	Description
1	52447	DOOR PIN BOLT	12	58824	LATCH CATCH ASSY
2	52666	HEX BOLT CAP	13	52716	GASKET, HV100 PERIMETER BLADE
3	51591	PIN, DOOR	14	59006	FRONT GLASS, RH
4	M1118	SCREW, 1/4-20 X 5/8, FLAT HEAD	15	59141	DOOR ASSEMBLY, RH (COMPLETE AS SHOWN)
5	59013	ASSY, INNER GLASS	16	M6315	10-24 X 1/2 HEX WASHER HEAD SCREW
6	59140	DOOR ASSEMBLY, LH (COMPLETE AS SHOWN)	17	16479	LOCK WASHER, EXTERNAL TOOTH
7	57725	10-24 X 1/2 SERRATED HEX FLANGE	18	58939	LATCH ASSY, RECT, TOP
8	51610	GASKET, CENTER DOOR	19	55537	GASKET, DOOR LATCH
9	59007	FRONT GLASS, LH	20	16384	10-24 X 1/2 TRUSS HEAD SCREW
10	57953	ASSY, DOOR TURNBUCKLE (BEFORE 4/10/24)	21	61036	RUBBER BUMPER
10	58925	ASSY, DOOR DRIVE (AFTER 4/10/24)	22	55536	PLATE, LATCH COVER
11	52514	ASSEMBLY, DOOR SWITCH (BEFORE 4/10/24)	23	59018	COVER, LATCH, HV100
11	100022	KIT, DOOR SWITCH (AFTER 4/10/24)	24	55608	DOOR HANDLE, HV100
			25	58938	LATCH ASSY, RECT, BOTTOM

INTERIOR COMPONENTS

FOR HV-100E-AB OVENS (MANUFACTURED AFTER 1/20/2017)

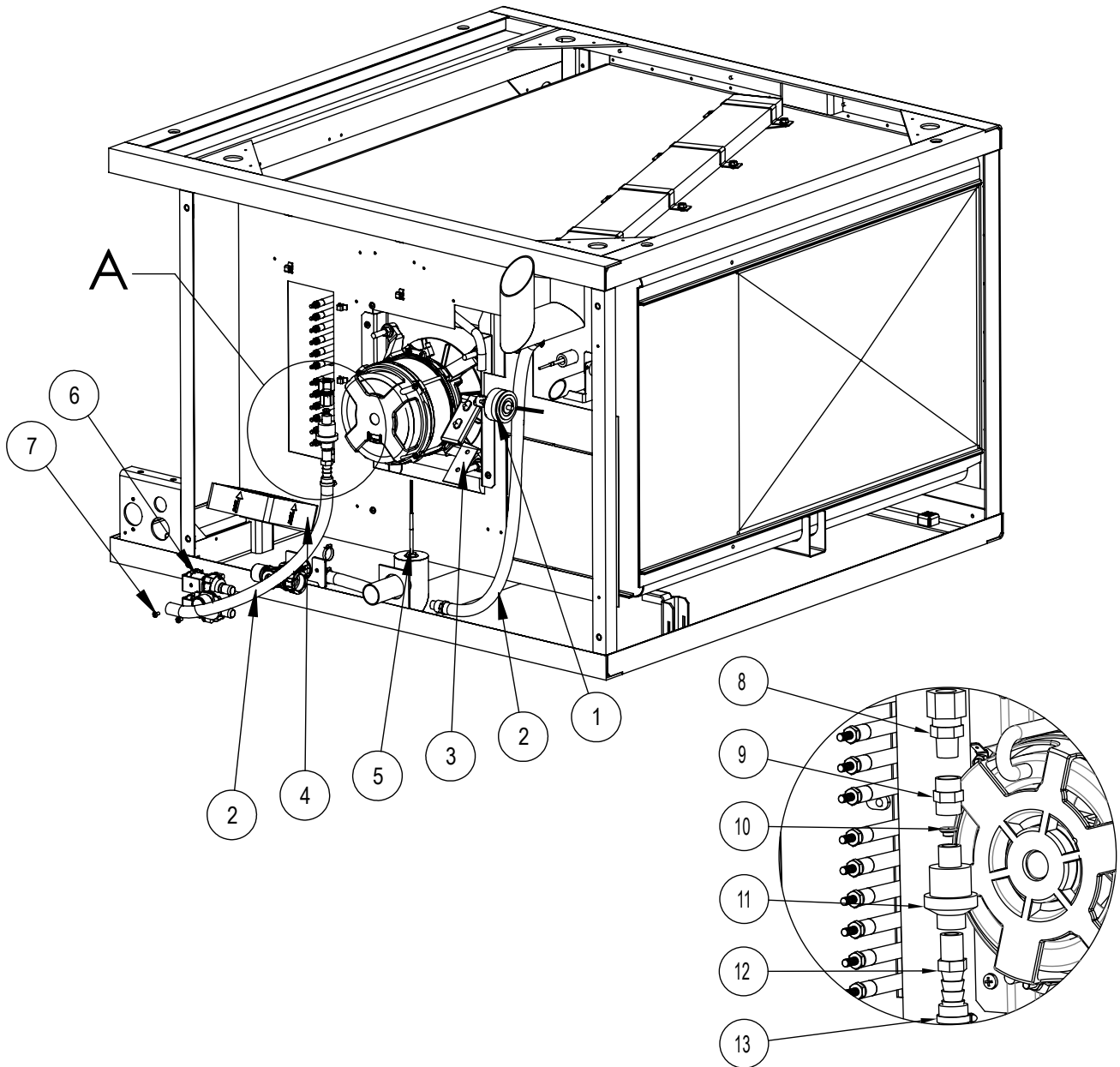


For HV-100E Ovens (Serial Letter Code KL)

Ref. No.	Part No.	Description	Ref. No.	Part No.	Description
1	53194	LAMP HOUSING ASSEMBLY (UNITS BEFORE 07/21/23)		53270	4 PAN FIXED SIDE RACK SUPPORT (Dunkin)
1	101532	XENON LAMP HOUSING ASSEMBLY (UNITS AFTER 07/20/23)	10	58865	BEFFLE, SIDE SUPPORT
2	53101	HALOGEN BULB (UNITS BEFORE 07/21/23)	11	M3615	10-24 X 1/2, FLANGE HEAD BOLT
	101579	12V HALOGEN TO 24V XENON RETROFIT KIT, COMPLETE LIGHT SET (BEFORE 07/21/23, AB ONLY)	12	58997	SPACER
2	101533	ZENON BULB (UNITS AFTER 07/20/23)	13	M0417	LOCK WASHER, 1/4"
3	53081	BEZEL, GASKET & LENSE ASSEMBLY	14	R0712	10-24 ACORN NUT
4	39336	COVER, DRAIN	15	58998	GASKET, LINER VENT
5	59154	DRAIN ASSEMBLY	16	55020	CAVITY VENT
6	59162	GASKET, DRAIN	17	11596	1/4-20 LOW PROFILE ACORN NUT
7	59046	WIRE RACK	18	58866	VENT ASSEMBLY, HV100
8	58864	BAFFLE, HV100E	19	53007	CAVITY TEMP PROBE
9	59047	SIDE RACK SUPPORT	20	53280	208V ELEMENT KIT
			20	53281	220/240V ELEMENT KIT
			20	53282	240/480V ELEMENT KIT
			21	55303	BLOWER WHEEL WITH KEY

REAR COMPONENTS

FOR HV-100E-AB OVENS (MANUFACTURED AFTER 1/20/2017)

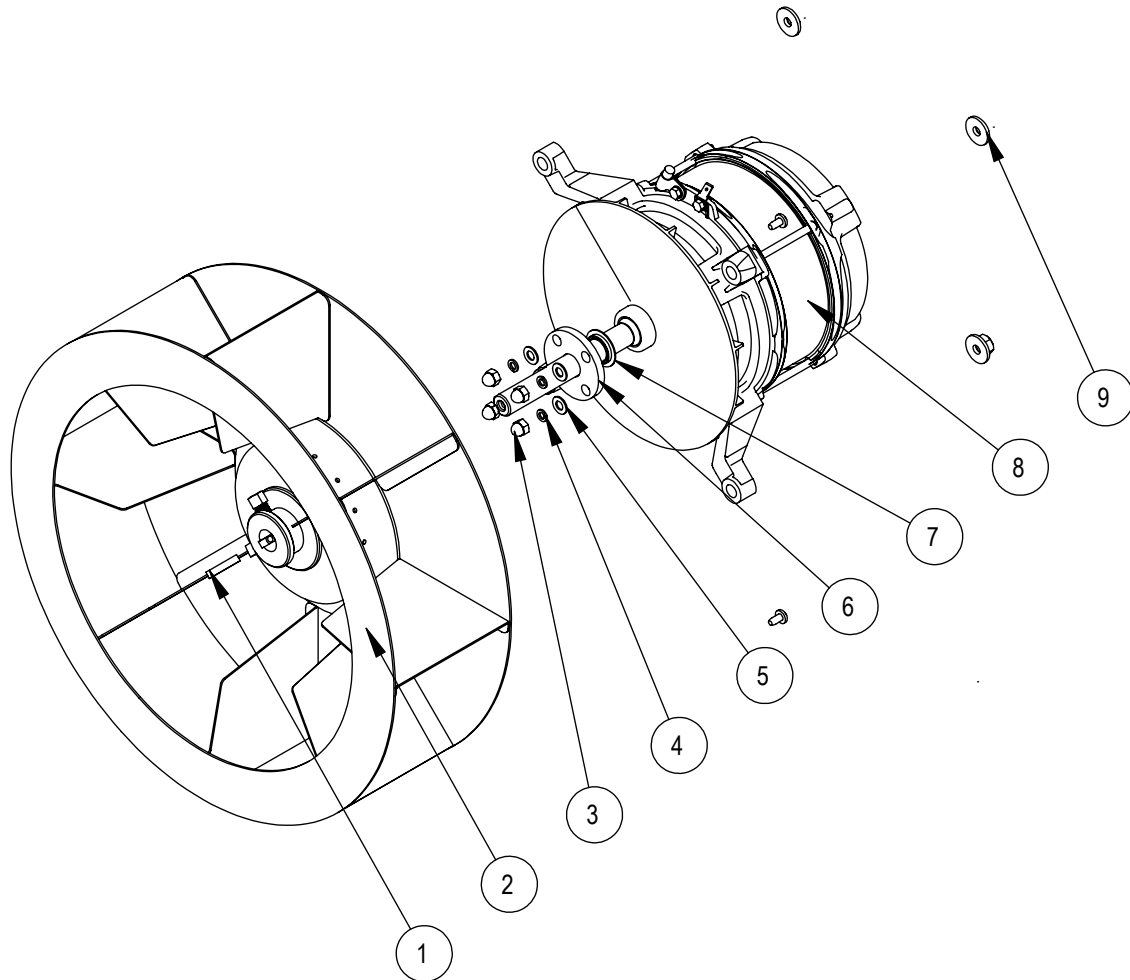


For HV-100E Ovens (Serial Letter Code KL)

Ref. No.	Part No.	Description	Ref. No.	Part No.	Description
1	39324	ROTARY SOLENOID	8	59333	COMPRESSION FITTING
2	58270	SILICONE HOSE (BY THE INCH)	9	59332	COUPLING
3	55023	VENT GASKET	10	58348	FLOW VALVE ORIFICE
4	52947	AXIAL FAN	11	58347	FLOW VALVE
5	58871	DRAIN TEMP PROBE	12	58884	FITTING, BARBED
6	59630	KIT, DUAL OUTPUT WATER VALVE	13	R0080	HOSE CLAMP
7	R1270	SCREW, M4-.7 X 10MM			

MOTOR ASSEMBLY

FOR HV-100E-AB OVENS (MANUFACTURED AFTER 1/20/2017)

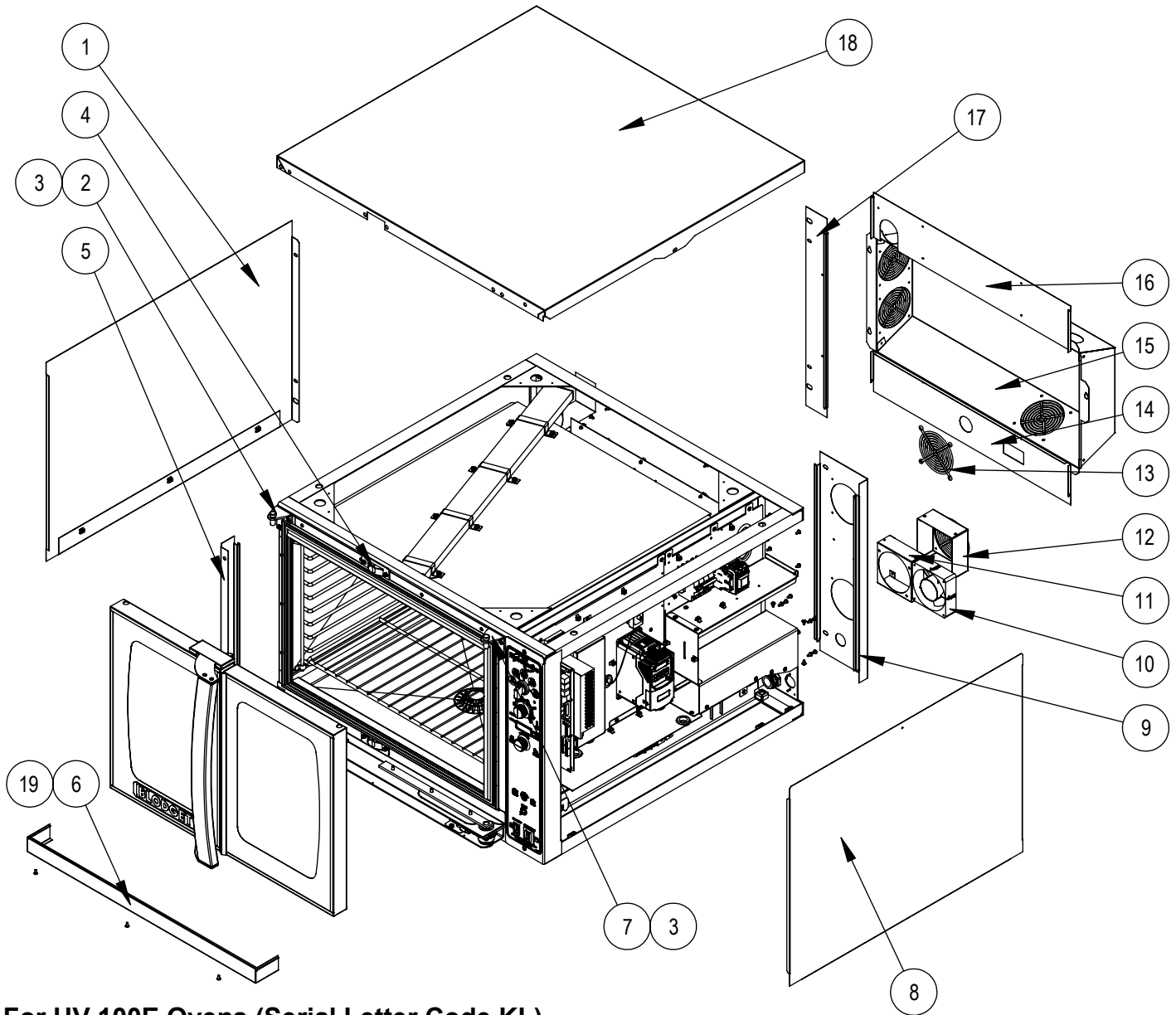


For HV-100E Ovens (Serial Letter Code KL)

Ref. No.	Part No.	Description	Ref. No.	Part No.	Description
1	54960	KEY, 3/16 X 1"	7	R4244	SHAFT SEAL
2	55303	BLOWER WHEEL	8	59909	CONVECTION MOTOR
3	R0712	ACORN NUT, 10-24		39332	MOTOR
4	R0726	LOCK WASHER, #10	9	8628	5/16-18 SERRATED FLANGE NUT
5	R0733	FLAT WASHER, #10			
6	59059	SHAFT SEAL RETAINER			

EXTERIOR COMPONENTS

FOR HV-100E-AB OVENS (MANUFACTURED AFTER 1/20/2017)

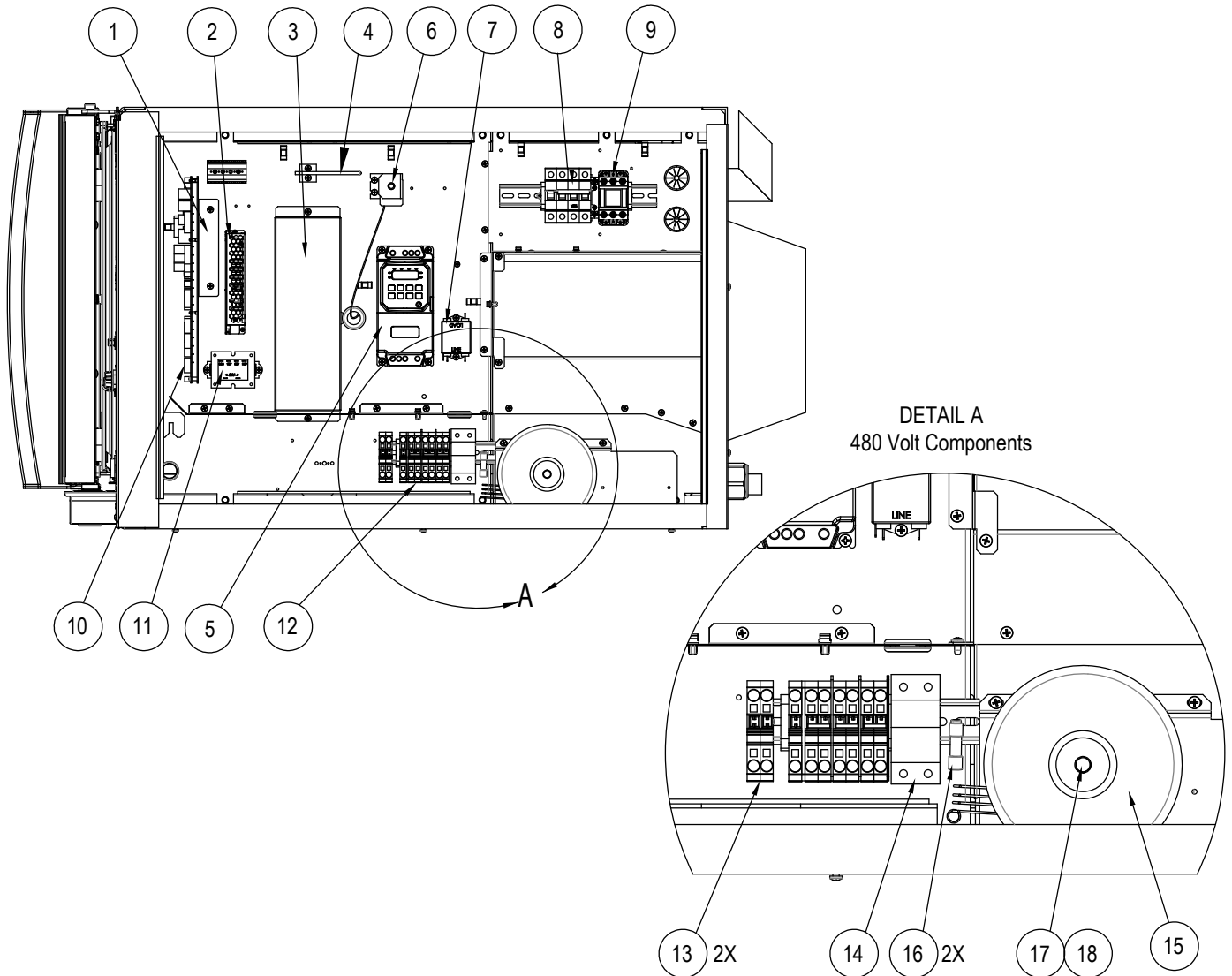


For HV-100E Ovens (Serial Letter Code KL)

Ref. No.	Part No.	Description	Ref. No.	Part No.	Description
1	58910	BODY SIDE, LEFT	10	52947	AXIAL FAN
2	51081	HINGE, LEFT	11	58970	FAN MOUNT, HV100
3	51591	HINGE PIN (LEFT & RIGHT)	12	59020	FAN COVER, HV100
4	58824	LATCH CATCH ASSEMBLY	13	M0571	FAN GUARD, 4"
5	58902	FRONT TRIM, LEFT	14	59166	BODY BACK, CENTER BOTTOM
6	51698	TRIM, LOWER FRONT (BEFORE 4/10/24)	15	59167	BODY BACK, ACCESS COVER
6	59376	COVER, GEAR DRIVE (AFTER 4/10/24)	16	59165	BODY BACK, CENTER TOP
7	51082	HINGE, RIGHT	17	58903	BODY BACK, RIGHT
8	58911	BODY SIDE, RIGHT	18	58901	BODY TOP
9	101731	BODY BACK, LEFT, ELECTRIC	19	16384	10-24 TRUSS HEAD SCREW

ELECTRICAL COMPONENTS

FOR HV-100E-AB OVENS (MANUFACTURED AFTER 1/20/2017)

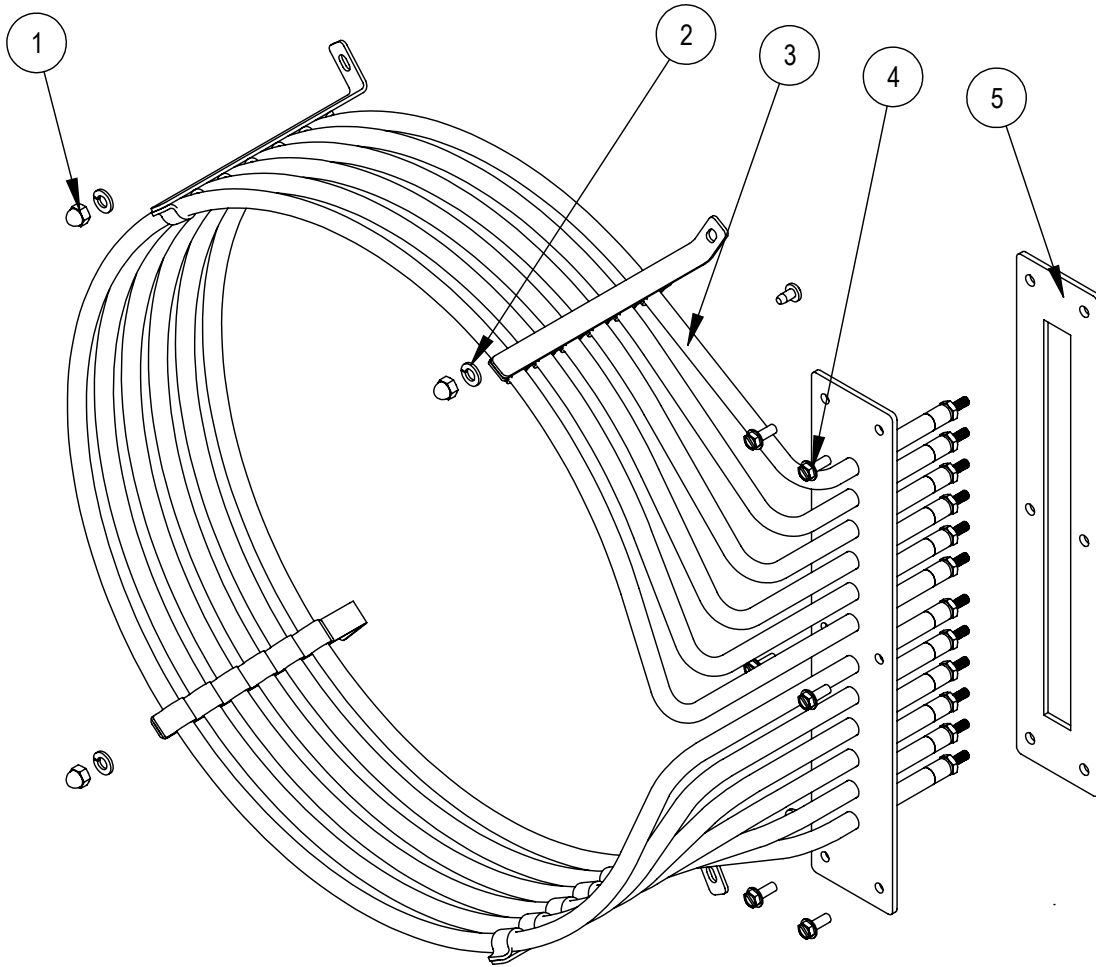


For HV-100E Ovens (Serial Letter Code KL)

<u>Ref. No.</u>	<u>Part No.</u>	<u>Description</u>	<u>Ref. No.</u>	<u>Part No.</u>	<u>Description</u>
1	53321	RELAY BOARD BRACKET	10	57727	RELAY BOARD, TOUCHSCREEN & 2.8" MANUAL AFTER 8/1/2017
2	59331	24VDC POWER SUPPLY	10	54380	REALY BOARD, HV100 MANUAL BEFORE 7/31/2017
3	58897	LIGHT ACCESS COVER	11	38303	TRANSFORMER, 40V A
4	56873	PROBE, 1K RTD	12	39733	MAIN POWER TERMINAL BLOCK W/ GROUND
5	59744	PROG. INVERTER (MANUAL CTRL) After 8/1/2017	13	52201	TERMINAL BLOCK
5	59743	PROG. INVERTER (MANUAL CTRL) Before 8/1/2017	14	51454	FUSE HOLDER 600V, 30A
6	36441	THERMOSTAT, HIGH LIMIT	15	59201	TOROIDAL TRANSFORMER 480/240
7	53902	EMI FILTER	16	51455	FUSE 600V, 7A
8	53271	CIRCUIT BREAKER 50A 3 POSITION	17	56119	HEX HEAD CAP, 5/16" -18 x 3.5"
9	59049	CONTACTOR	18	55642	WASHER, TOROIDAL MOUNTING

ELEMENT COMPONENTS

FOR HV-100E-AB OVENS (MANUFACTURED AFTER 1/25/2017)



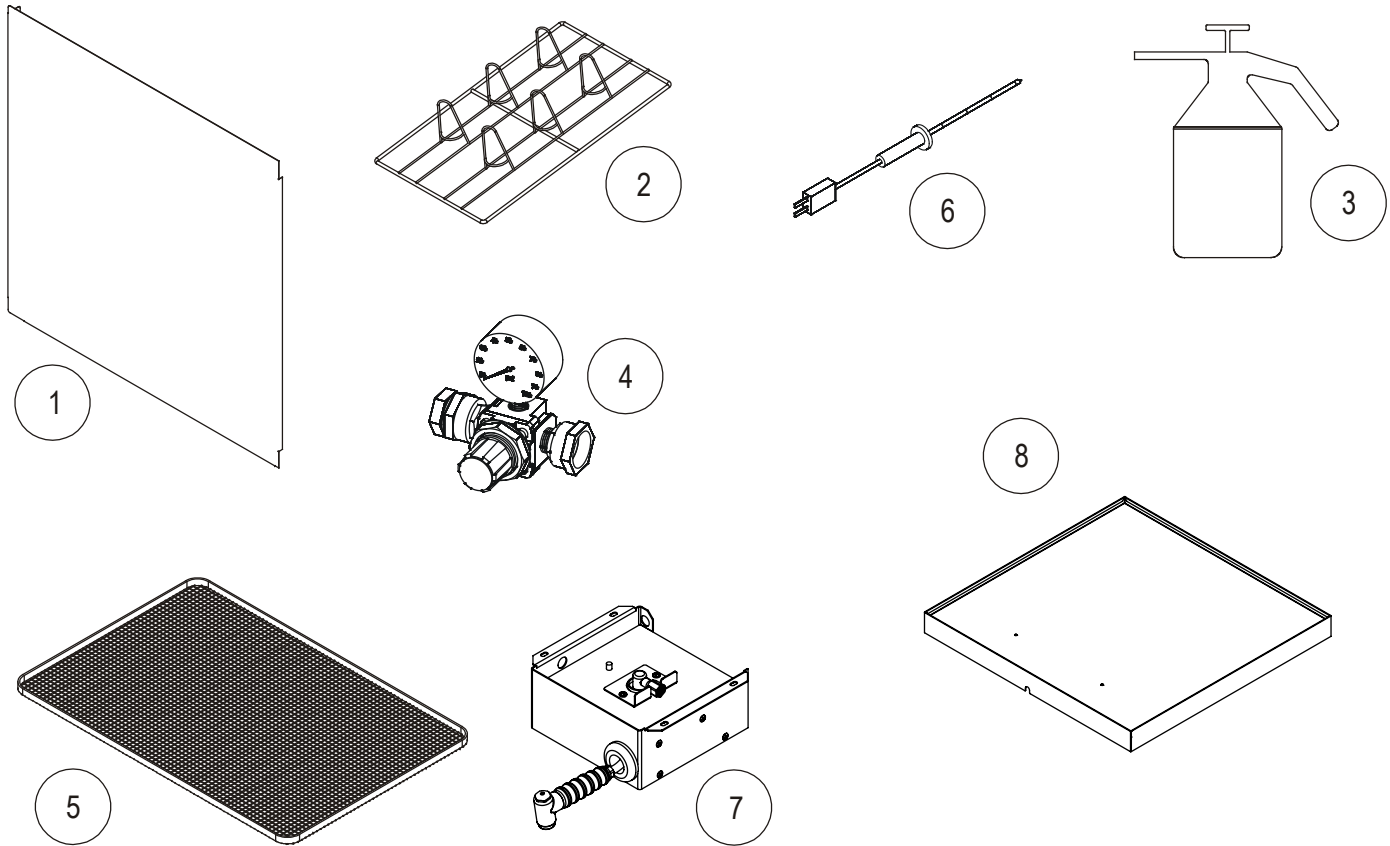
For HV-100E Ovens (Serial Letter Code KL)

<u>Ref. No.</u>	<u>Part No.</u>	<u>Description</u>	<u>Ref. No.</u>	<u>Part No.</u>	<u>Description</u>
1	R0712	10-24 ACORN NUT	3	53282	240/480V ELEMENT KIT
2	M0417	LOCK WASHER	4	M6315	10-24 X 1/2 HEX WASHER HEAD SCREW
3	53280	208V ELEMENT KIT	5	52304	GASKET, ELEMENT HV100E
3	53281	220/240V ELEMENT KIT			

HV-100E & HV-100E-AB OVENS

ACCESSORIES

FOR ALL OVENS



Ref. No.	Part No.	Description
1	52889	HEAT SHIELD KIT
2	52387	CHICKEN ROASTING RACK
3	R10955	SPRAY BOTTLE
4	52815	PRESSURE REGULATOR, W/O HOSE REEL
	54734	PRESSURE REGULATOR W/HOSE REEL
5	54247	FRENCH FRY RACK
	8598	25" S/S LEGS W/FEET (SET OF 4)
	16002	CASTERS (SET OF 4)
	57712	36" OPEN STAND W/GUIDES AND FEET
	57689	36" OPEN STAND W/GUIDES AND CASTERS
	33196	6" SEISMIC LEGS (SET OF 4)
	8600	6" S/S LEGS W/FEET (SET OF 4)
	53057	8-1/2" LEGS W/CASTERS (SET OF 4)
	53058	11" LEGS W/FEET (SET OF 4)
	53059	11" LEGS W/SEISMIC FEET (SET OF 4)
6	56545	MEAT PROBE, 4", DUAL SENSOR
	57685	MEAT PROBE, 4" FILLET

Ref. No.	Part No.	Description
7	54674	EXTERNAL HOSE REEL ASSEMBLY
	52998	SPRAY NOZZLE (PUSH-BUTTON) FOR HOSE REEL
	58537	KIT STACKING (HOSE REEL NOT INCLUDED)
	59292	SPRAY NOZZLE/PROBE HOLDER BRACKET
	52874	STACKING KIT, HV-100-AA WITH STANDARD DEPTH CONVECTION
	52896	STACKING KIT, HV-100-AA WITH BAKERY DEPTH CONVECTION
	59262	STACKING KIT, HV-100-AB WITH STANDARD DEPTH CONVECTION
	59260	STACKING KIT, HV-100-AB WITH BAKERY DEPTH CONVECTION
	59837	SPRAY NOZZLE ONLY (FOR EXTERNAL SPRAY HOSE)
	R10889	EXTERNAL SPRAY HOSE (W/O NOZZLE)
8	101137	UNIVERSAL PLATFORM KIT