



ZEPHAIRE G, ZEPHAIRE G PLUS & ZEPHAIRE-200-G GAS CONVECTION OVENS REPLACEMENT PARTS LIST



EFFECTIVE MAY 26, 2026

Superseding All Previous Parts Lists.

The Company reserves the right to make substitution in the event that items specified are not available.

ERRORS: Descriptive and/or typographic errors are subject to correction.

BLODGETT OVEN COMPANY

42 Allen Martin Drive, Essex Junction, Vermont 05452 USA Telephone: (802) 658-6600 Fax: (802) 860-3732
www.blodgett.com

P/N 54806 Rev AC

IMPORTANT: When ordering parts, please provide the model, gas type and serial number of the oven. The identification plate is located on the left side of the combustion compartment and, also, above the control panel under the ledge.



ASAP Distributor Required Stocking Parts
Doors Are Not Returnable
Item Is Too Large For UPS

SERIAL NUMBER LOCATION / KEY:

IMPORTANT: When ordering parts, please provide the model, gas type and serial number of the oven. The identification plate is located on the left side of the combustion compartment and also above the control panel under the ledge.

SERIAL NUMBER IDENTIFICATION CODE:

**YA = ZEPHAIRE G & ZEPHAIRE E PLUS
CN = ZEPHAIRE-200-G**

SERIAL NUMBER EXAMPLES

010114CN001T

01/01/14 = DATE

CN = LETTER CODE FOR ZEPHAIRE-200-G

001 = FACTORY SEQUENCE

T = TOP OVEN

ELECTRICAL COMPONENTS

(MECHANICAL CONTROLS, PRIOR TO 07/12/93)

Ref. No.	Part No.	Description
8	32291*	Motor, 115V, 1 PH, 1/2 HP, 1 SP
8	32291*	Motor, 115V, 1 PH, 1/2 HP, 2 SP
	20349	Buzzer, 120V
19	5147	Timer, 60 Minute Mechanical, w/bell
	15956	Timer, for Buzzer
	16030	Knob, Timer
23	16536	Thermostat, KX-234-36
	16393	Dial, Thermostat
	21082	Bracket Assy., Thermostat
	20195	Gauge, Spark Gap
	35702	Microswitch Kit
	35419	Bracket Assy., Microswitch
	5091	Cord Set Assembly
	6502	Cool Down Switch, Rocker DPDT Red
	6500	Blower Switch, Rocker DPST Blue
	6497	Light Switch, Rocker SPST White
	15673	Indicator Light, 125V, Red, Round
	4342	Lamp
	4922	Socket, Lamp
	15891	Tube Assy, for lamp
	101313	Wire Kit, A.O. Smith Motor Replacement

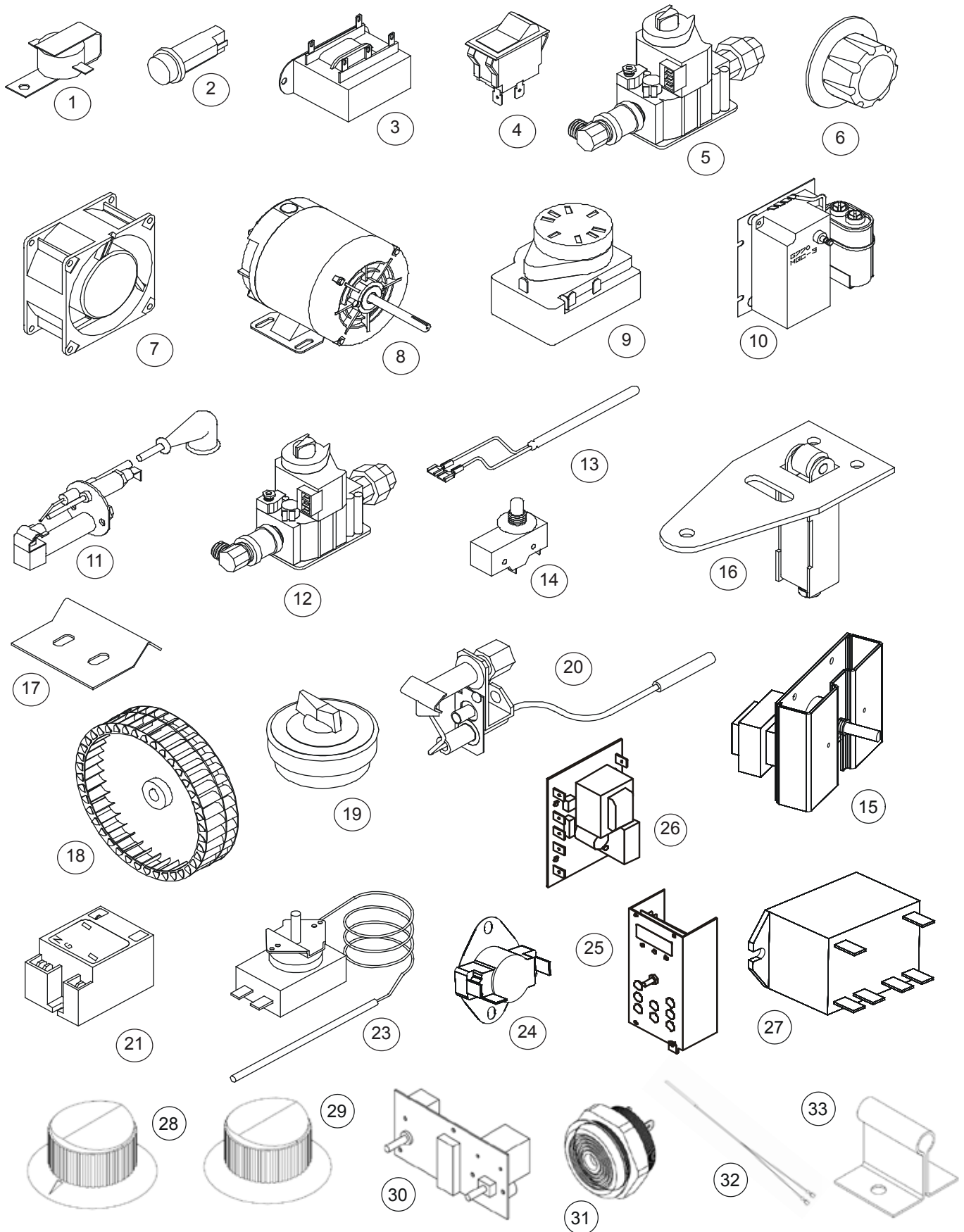
* When replacing A.O. Smith motor, also order p/n 101313

ELECTRICAL COMPONENTS

(SOLID STATE CONTROLS, AFTER 07/12/93)

Ref. No.	Part No.	Description
8	32291*	Motor, 115V, 1 PH, 1/2 HP, 1 SP
	32291*	Motor, 115V, 1 PH, 1/2 HP, 2 SP
	23077	Capacitor, Motor 2 SP
1	20349	Buzzer, 120V
9	18225	Timer, 60 Minute, 120V, 60 HZ
6	16686	Knob, Timer
15	33152	Temperature Controller w/ Potentiometer Thermistor, before 12/02/2015
26	18578	Temperature Control Board w/8 STPT Thermostat
13	18588	Probe, Temperature, 1/4" dia, 100K ohm
25	30658	SSD Time/Temp Controller, before 7/1/16
	57372	Temperature Controller w/ Pot RTD, after 12/02/2015
	58718	SSD Time/Temp Controller, after 7/1/16
30	57561	Control, Infinite w/Digital Timer, RTD (SSI-D)
32	57562	RTD Probe, Temperature, 1 K RTD
	57604	Switch, 8 STPT Preferred Meals
	16686	Knob, Thermostat
3	20355	Transformer, 115V to 24V
10	20348	Spark Box Assy, LP & Nat (G770MGC-Blue)
7	21134	Axial Fan, Low Velocity, 115 V, 60HZ (Qty 2)
	22301	Axial Fan, 120V, 4" (qty 1)
14	35702	Microswitch Kit (Replaces 19978)
	35419	Bracket Assy., Microswitch
	5091	Cord Set Assy
4	6502	Cool Down Switch, Rocker DPDT Red
4	57532	Cool Down Switch, Rocker DPDT Red, after 7/22/21
4	6500	Blower Switch, Rocker DPST Blue 1 SP
	7636	Blower Switch, Rocker 3PDT Black 2 SP
4	16530	Light Switch, White Momentary
2	18265	Indicator Light, 28V, Red, Round
	4342	Lamp
	4922	Socket, Lamp
	15891	Tube Assy, for lamp
24	36755	Switch, Thermal Cooking
	36376	Gas Switch
27	37058	Relay, 24V
28	36616	Knob, Thermostat (SSI-D)
29	36617	Knob, Timer (SSI-D)
31	52668	Remote Buzzer

MISC. COMPONENTS



BURNER & PIPING ASSEMBLY

(MECHANICAL CONTROLS)

<u>Ref. No.</u>	<u>Part No.</u>	<u>Description</u>
	18799	Steel Tube Burner Assy. (Set of 2)
	8717	Orifice, Main Burner (Specify Model & Gas Type) (Set of 2)
	90063	Air Shutter Only
	3001	Locknut, Air Shutter
	15871	Manifold Assy.
	21070	Tubing, Manifold Assy.
	4872	Manifold Plug
	15963	Coupling, Reducer 3/4" to 1/2"
21	21080	Spark Module Assy (White)
20	21071	Pilot Burner Assy., Nat
	20589	Orifice, Pilot Burner, Nat
	20193	Orifice, Pilot Burner, LP
	18586	Pilot Tubing Assy. for Honeywell Valves
	21075	Bracket Assy., Pilot, Nat
12	30218	Dual Solenoid/Pressure Reg, Nat. 120V
12	30219	Dual Solenoid/Pressure Reg, LP 120V
	21084	Conv. Kit, LP to Nat (Before 7/12/93) (Robert Shaw Ignition & Johnson Gas Valve)
	21083	Conv. Kit, Nat to LP (Before 7/12/93) (Robert Shaw Ignition & Johnson Gas Valve)
	30402	Conv. Kit, LP to Nat (7/12/93 thru 9/29/93) (Robert Shaw Ignition & Honeywell Valve)
	30398	Conv. Kit, Nat to LP (7/12/93 thru 9/29/93) (Robert Shaw Ignition & Honeywell Valve)
	20373	Thru Pipe Assy.
	21078	Secondary Air Duct Assy.
	21079	Air Duct Assy. (Set of 2)
	17861	Deflector Assy.
	102257	Kit, Pilot Tube Replacement 100/200G

BURNER & PIPING ASSEMBLY

(SOLID STATE CONTROLS)

<u>Ref. No.</u>	<u>Part No.</u>	<u>Description</u>
	18799	Steel Tube Burner Assy. (Set of 2)
	8717	Orifice, Main Burner (Specify Model & Gas Type) (Set of 2)
	90063	Air Shutter Only
	3001	Locknut, Air Shutter
	15871	Manifold Assy.
	21070	Tubing, Manifold Assy.
	4872	Manifold Plug
	15963	Coupling, Reducer 3/4" to 1/2"
11	56463	Pilot Burner Assy., Complete Nat
11	56464	Pilot Burner Assy., Complete LP
	18263	Orifice, Pilot Burner, Nat
	18257	Orifice, Pilot Burner, LP
	18586	Pilot Tubing Assy.
5	30005	Dual Solenoid/Pressure Reg, Nat 24V
5	30006	Dual Solenoid/Pressure Reg, LP 24V
	30514	Conv. Kit, LP to Nat (Johnson Control Ignition & Honeywell Valve)
	30399	Conv. Kit, Nat to LP (Johnson Control Ignition & Honeywell Valve)
	21079	Air Duct Assy. (Set of 2)
	17364	Deflector Assy.
	18256	Flame Sensor Probe
	19677	Wire, Flame Sensor

INTERIOR COMPONENTS

<u>Ref. No.</u>	<u>Part No.</u>	<u>Description</u>	<u>Ref. No.</u>	<u>Part No.</u>	<u>Description</u>
	20864	Liner Baffle, Stainless Steel		20246	Rack, Oven (27-7/8" x 28-3/16")
	20758	Liner Baffle, Porcelain		21422	Rack Support (Set of 2)
	21085	Liner Bottom, Aluminized		8646	Support Assy., Baffle (Set of 4)
	21560	Liner Bottom, Porcelain		90027	Motor Mount & Panel Assy.
18	15853	Blower Wheel Assy. 10 3/4"		19640	Baffle Screen Assy.
	20376	Collector Assy., Heat Lower	33	33088	Clip, Thermostat Bulb RTD (SSI-D)
	20353	Clip, Thermostat Bulb			

EXTERIOR COMPONENTS

<u>Ref. No.</u>	<u>Part No.</u>	<u>Description</u>	<u>Ref. No.</u>	<u>Part No.</u>	<u>Description</u>
	23190	Crown Assy. (After 12/02/93)		34761	Back Panel, S/S (After 02/23/99, S.N. 022399YA005S)
	31023	Control Panel & Decal w/o Lights (S.S) (Before 8/16/2006)		34570	Bodyside, RH S/S (Prior to 11-21-05)
	31025	Control Panel & Decal w/Lights (S.S) (Before 8/16/2006)		34571	Bodyside, LH S/S (Prior to 11-21-05)
	58222	Panel & Decal w/o Lights, (After 8/14/2006)		NOTE:	The bodysides 34570 & 34571 replace part #17363 & #15994.
	58223	Panel & Decal w/ Lights, (After 8/14/2006 and before 12/02/2015)		36407	Bodyside, RH S/S (11-21-05 and after)
	58683	Panel & Decal (SSI-D)		37205	Bodyside, LH S/S (11-21-05 and after)
	58737	Control Panel & Decal, Manual Control w/ Lights, after 12/02/2015		20223	Bodytop, S/S (Prior to 11-21-05)
	58725	Panel & Decal, SSD, after 7/1/16		38981*	Bodytop, S/S (After 11-21-05)
	100713	Panel & Decal, SSD, before 7/1/16		8600	Legs, 6" w/ Bolts, S/S (Set of 4)
	20757	Access Panel Assy., 4"x4" (Gas Valve)		8598	Legs, 25" w/ Bolts, S/S (Set of 4)
	21102	Combustion Cover Assy. (Before 12/02/93)		7847	Leg Bolts (Set of 8)
	17361	Combustion Cover Assy. (After 12/02/93) (w/o security package)		92000	Leg Studs (Set of 4)
	21103	Nameplate, Zephaire 4-5/8" (Before 12/89)		21053	Open Stand 25" w/ Feet, S/S
	23295	Nameplate, Blodgett/Zephaire 7-15/16" (After 12/89)		20878	Open Stand 25" w/ Casters, S/S
	21104	Flue Box (Sgl Oven)		16002	Caster Kit, Sgl Oven (Set of 4)
	21107	Flue Assy., Stacking (3 Piece)		5779	Caster Kit, Dbl Oven (Set of 4)
	35048	Backpipe Assy. (Dbl Oven) (Replaces number 17880)		19528	Caster Kit, Low Profile (Set of 4)
	7839	Draft Hood, Direct Venting, S/S (Sgl Oven)		31013	Caster Kit, Heavy Duty Low Profile (Set of 4)
	21108	Draft Hood, Direct Venting, S/S (Dbl Oven)		31803	Clips, Dbl Stacking (Set of 2)
	7840	Draft Diverter, Canopy Vent, S/S (Sgl Oven)		54422	Side Heat Shield, Right or Left
	20447	Draft Diverter, Canopy Vent, S/S (Dbl Oven)		58683	Control Panel & Decal SSI-D
				21831	Venting Kit, ZephG on G2L
				59657*	Front Trim Kit, Bodytop
				NOTE:*	For ovens built between 11/21/05 & 03/10/17, parts 38981 & 59657 must be replace/purchased together

INDEPENDENT DOOR COMPONENTS

(2 DOOR HANDLES)

<u>Ref. No.</u>	<u>Part No.</u>	<u>Description</u>
	◆ 21090	Door Assy, Solid LH
	◆ 21091	Door Assy, Solid RH
	NOTE:	Lower door pins no longer come with the door assemblies. The pins must be ordered separately.
	9036	Glass Assy (10-1/8" x 17-1/8")
	21097	Door Handle Assy
	21099	Handle Bracket, Bottom
16	21098	Catch Assy, Roller (On Top of Door)
17	21100	Striker Plate (On Oven)
	17519	Gasket, Perimeter Door
	23120	Gasket, Center Door (3 Piece)
	21092	Door Stop Bushing w/ Pin
	16657	Upper Bushing Sleeve
	15932	Bearing, Flanged
	21094	Door Pin, Upper Assy
	21095	Door Pin, Lower Assy (Before 12/02/93)
	30654	Door Pin, Lower Assy (After 12/02/93)
	21096	Door Pins, Upper & Lower (Set of 4) (Before 12/02/93)
	30653	Door Pins, Upper & Lower (Set of 4) (After 12/02/93)
	30655	Bearing, Door Hinge (Set of 2) (After 12/02/93)
	90053	Door Switch Cam Assy (Before 12/02/93)
	30652	Door Switch Cam Assy (After 12/02/93)

DEPENDENT DOOR COMPONENTS

(1 DOOR HANDLE)

<u>Ref. No.</u>	<u>Part No.</u>	<u>Description</u>
	◆ 20806	Door Assy, Solid LH
	◆ 20805	Door Assy, Solid RH
	◆ 20804	Door Assy, Glass LH
	◆ 20803	Door Assy, Glass RH
	9036	Window Assy, Drop In (10-1/8" x 17-1/8")
	17558	Handle, Porcelain Door
	18081	Top Plate, Door Handle
	4887	Chain & Turnbuckles, Door Operating
	90004	Bushings, Door Hinge (Set of 2)
	16657	Sleeve, Upper Door Bushing
	17557	Hinge Pin, Upper Door
14	35702	Microswitch Kit (Replaces 19978)
	35419	Bracket Assy, Microswitch (Replaces 21081)
	17311	Trim, Center Door
	16448	Pressure Lock (Attaches to front of door)
	36606	Pressure Lock (Attaches to side of door)
	17519	Gasket Assy., Perimeter (Before 12/01/2005)
	36876	Gasket Assy., Perimeter (After 12/01/2005)
	36037	Support Assy, Lower Door (After 1/1/2004)

EXCLUSIVE TO SPRITZER

<u>Ref. No.</u>	<u>Part No.</u>	<u>Description</u>
	18308	Thru Pipe & Nozzle
	18314	Thermal Switch SPNO
	18580	Pushbutton Switch
	18266	Indicator Light Blue, 115V, before 11/1/2012
	18267	Indicator Light Blue, 250V, before 11/1/2012
	19014	Indicator Light, Amber, 28V, after 11/1/2012
	R10838	Valve, Solenoid Coil, 24V, after 11/1/2012
	55276	Valve, after 11/1/2012
	36854	Spritzer Timer, after 11/1/2012
	58224	Panel & Decal w/Spritzer, after 8/14/2006

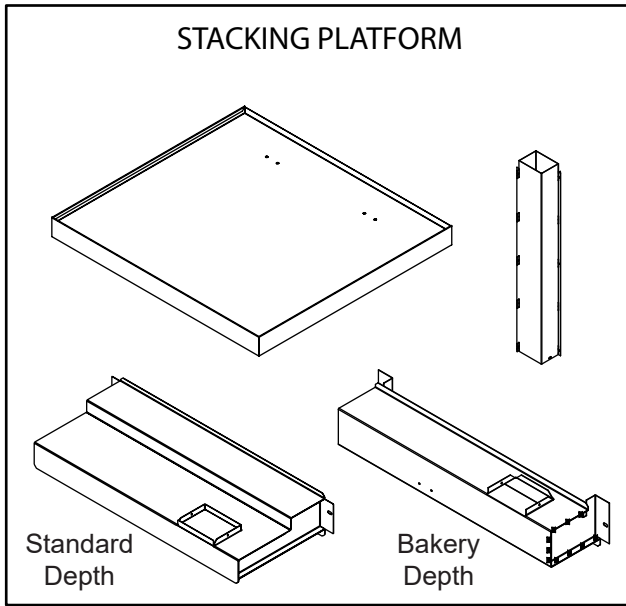
ROLL-IN UNITS

<u>Ref. No.</u>	<u>Part No.</u>	<u>Description</u>
	20517	Docking Plate Assy.
	8355	Docking Pins, Transport Cart
	8356	5" Casters, Transport Cart
	9052	Handle, Transport Cart (Sgl Oven)
	8359	Catch Mechanism, Transport Cart
	8357	Locking Bar, Transport Cart
	8358	Tracks & Shelf Assy., Transport Cart
	9015	Handle, Transport Cart (Dbl Oven)
	7931	Vertical Posts (Each)
	51659	Track, LH w/screws
	51660	Track, RH w/screws
	21089	Rack Stop, S/S
	7689	Transport Cart, CTRG
	8626	Transport Cart, CTRG-2
	24607	Roll-In Basket Dolly, DBRI-L
	11206	Roll-In Pan Rack, RPR-L9 (w/ 5 Racks)
	7590	Racks for Pan Rack, L9 (26" x 26")

EXCLUSIVE TO EXPORT

<u>Ref. No.</u>	<u>Part No.</u>	<u>Description</u>
	21430	Axial Fan, 3", 230V Qty 2 per oven CE
	23034	Axial Fan, 4", 230V Qty 1
	33094	Block, Terminal 4 Pole CE
	32529	Thru Pipe Assy. CE
	34906	Manifold Assy (w/pressure tap) CE
	34974	Conversion Kit, Air Pressure Differential Switch CE Before 03/26/99 or S.N. 032699YA019S
	M9422	Air Pressure Differential Switch, switch only CE
	M9705	Polyurethane Tubing (by the inch, total 36") used w/pressure switch CE
	53010	Noise Filter
	M3172	Timer, Fixed, 2 Second
	16539	Indicator Light, 250V, Amber, Round
	30517	Switch, Rocker DPST, Black
	36066	Thermostat, High Limit Kit (Manual Reset) CE
	16037	Indicator Light, 250V, Red, Round
	M9182	Dual Solenoid/Pres Reg, 240V
	20084	Timer, 60 Min.
	31023	Control Panel & Decal w/o Lights (Export)
	56465	Pilot Burner & Ignitor Assy, Nat CE
	56466	Pilot Burner & Ignitor Assy, LP/But CE
	31025	Control Panel & Decal w/lights export (Before 8/15/2006)
	58223	Control Panel & Decal w/lights export (After 8/14/2006)
	33120	Decal, control CE
	53009	Ignition Control, 240V, CE

EXTERIOR COMPONENTS



Ref. No.	Part No.	Description
	101136	Stacking Platform