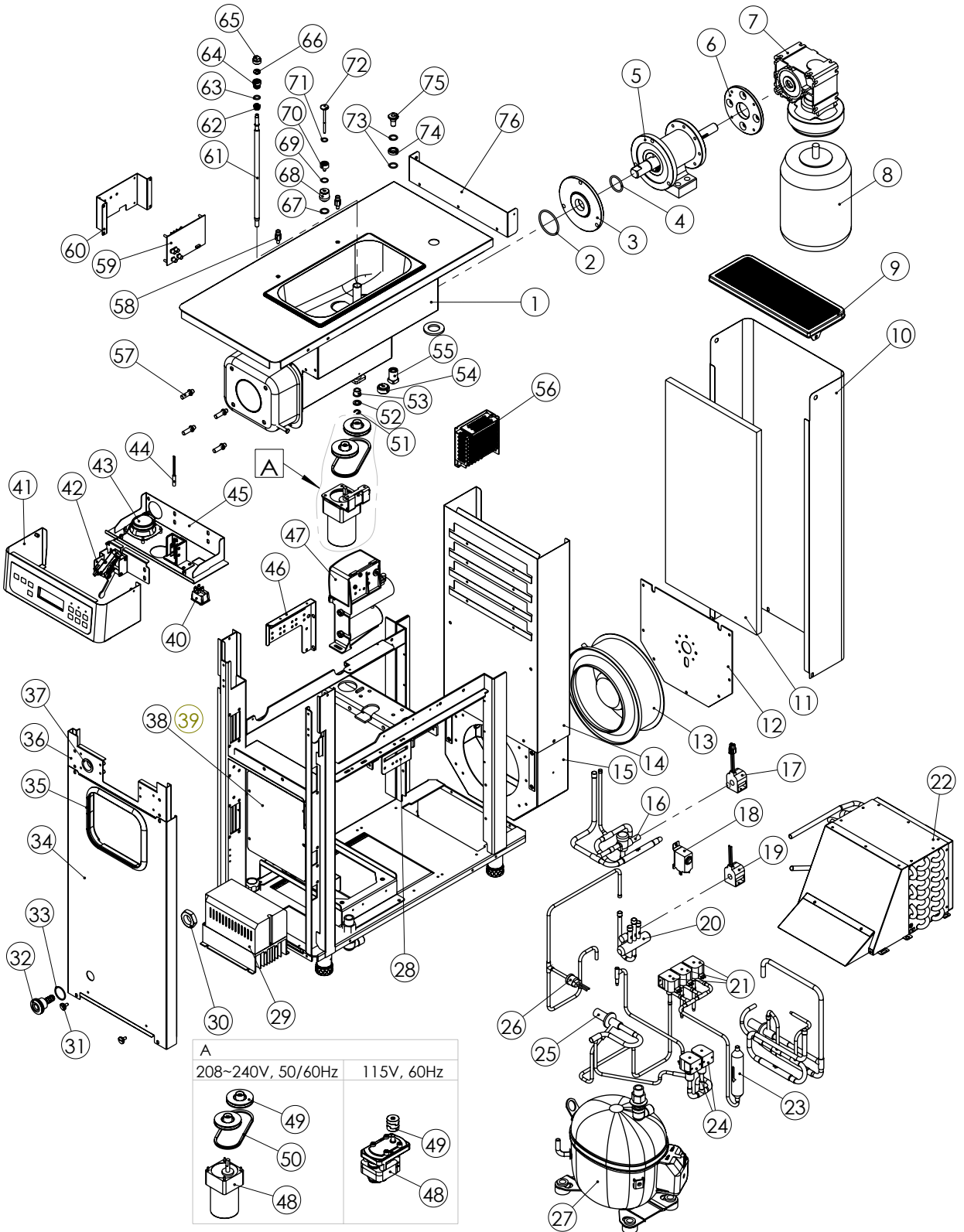


Model ISI-161TH Exploded View



A	
208~240V, 50/60Hz	115V, 60Hz

4

PARTS

Model ISI-161TH Exploded View Parts Identification

Item	Description	Part No.
1	ASSY DRUM FOAM 161TH (115V, 60Hz)	410038800
	ASSY DRUM FOAM 161TH (208~240V, 50/60Hz)	410035800
2	PACKING FRONT POM FLANGE	229031000
3	POM FLANGE	397002400
4	PACKING BACK POM FLANGE	229031100
5	ASSY HOUSING SHAFT	430003600
6	HOUSING SHAFT FLANGE	397002502
7	GEAR HEAD(RATIO 12.5:1) (115V, 60Hz)	353031000
	GEAR HEAD-161TH(RATIO 10:1) (208~240V, 50/60Hz)	353033300
8	DASHER MOTOR	353032800
9	DUCT COVER ASSY	317185800
10	BACK PANEL	317180700
11	FOAM BACK	306040400
12	TURBO FAN MOTOR COVER (115V, 60Hz)	301161500
	TURBO FAN MOTOR COVER (208~240V, 50/60Hz)	301156000
13	FAN MOTOR ASSY (JH250B4E01) (115V, 60Hz)	406023700
	FAN MOTOR ASSY (JH225C4E02) (208~240V, 50/60Hz)	406021500
14	DUCT OUT PANEL	301151900
15	COND OUT DUCT (115V, 60Hz)	301161600
	COND OUT DUCT (208~240V, 50/60Hz)	301151500
16	SOLENOID V/V BODY	340027600
17	SOLENOID VALVE COIL (115V, 60Hz)	340029100
	4 WAY VALVE COIL (208~240V, 50/60Hz)	340013000
18	PRESSURE SWITCH	355020100
19	SOLENOID VALVE COIL (115V, 60Hz)	340029100
	SOLENOID VALVE COIL (208~240V, 50/60Hz)	340013100

Item	Description	Part No.
20	4 WAY VALVE BODY	340012400
21	SOLENOID VALVE COIL (115V, 60Hz)	340028500
	SOLENOID VALVE COIL (208~240V, 50/60Hz)	340011600
22	ASSY CONDENSER (115V, 60Hz)	411029200
	ASSY CONDENSER (208~240V, 50/60Hz)	411027800
23	FILTER DRYER	372002601
24	SOLENOID VALVE COIL (115V, 60Hz)	340029100
	SOLENOID VALVE COIL (208~240V, 50/60Hz)	340013100
25	EXPANSION VALVE	340013200
26	PRESSURE SWITCH/SRT1008	355015100
27	COMP/NT6222GKV (115V, 60Hz)	394022600
	COMP/NT6222GKV (208~230V, 60Hz)	394021100
	COMP/NT6224GK (220~240V, 50Hz)	394020800
28	SOL VALVE BRACKET (115V, 60Hz)	317200200
	SOL VALVE BRACKET 2 (220~240V, 50Hz)	301151100
29	INVERTER (115V, 60Hz)	500001300
	INVERTER (220~240V, 50Hz)	500001000
30	VESSEL NUT	215020000
31	DRAIN FIX BOLT	214029600
32	DRAIN BUSING	336027600
33	PACKING S28	303034800
34	FRONT COVER DOWN	317180200
35	PACKING FRONT COVER	303034400
36	FRONT TOP PANEL	317180100
37	GROMMET BUSHING	232003500

Item	Description	Part No.
38	ASSY TOTAL CONTROL BOX (115V, 60Hz)	426070500 See Pg 4-7
	ASSY TOTAL CONTROL BOX (220~240V, 50Hz)	426066700 See Pg 4-7
39	CONTROL BOX COVER	374139600
40	SWITCH	355012400
41	DISPLAY PANEL ASSY	420045020 See Pg 4-10
42	ASSY PISTON SENSOR	430003701 See Pg 4-11
43	SPEAKER	633000300
44	ASSY SENSOR MAGNET	701002000
45	BUTTON DISPLAY BASE	349094000
46	SOL VALVE BRACKET 1	301151000
47	ASSY CSR BOX (115V, 60Hz) See Pg 4-8	426066400 See Pg 4-8
	ASSY CSR BOX (208~230V, 60Hz) See Pg 4-8	426066600 See Pg 4-8
	ASSY CSR BOX (220~240V, 50Hz) See Pg 4-8	426066800 See Pg 4-8
48	ASSY AGITATOR MOTOR (115V, 60Hz)	406023600
	ASSY AGITATOR MOTOR (208~240V, 50/60Hz)	406009200
49	COUPLING (115V, 60Hz)	612000700
	PULLY R (208~240V, 50/60Hz)	307005800
50	BELT V S ((208~240V, 50/60Hz)	307005900
51	E RING AGITATOR	303034900
52	WASHER BEARING	211003600
53	SHAFT DOWN BEARING	314013000

Item	Description	Part No.
54	MIX SENSOR DOWN CAP	655010200
55	NUT SENSOR CAP	319008800
56	SMPS	629001300
57	BOLT DASHER COVER	317072600
58	BASKET COVER STUD	314040100
59	USB DOWNLOAD PCB	367009304
60	BKT USB PCB	301151210
61	SHAFT AGITATOR-141TH	314040200
62	BUSH AGITATOR	336029000
63	AGITATOR TOP PACKING TWO	303018600
64	SHAFT TOP BEARING	314012900
65	SHAFT CAP	314012700
66	AGITATOR SEALING PACKING	303020700
67	PACKING PUMP BODY (P14)	303024800
68	WELDING HARNESS MIX OUT	409038200
69	O RING	303035000
70	MIX TOP CAP	655010400
71	MIX LOW PACKING ONE	303021300
72	MIX SENSOR SHAFT 161TH	655010701
73	PACKING PUMP BODY (P14)	303024800
74	SENSOR BASE	655010600
75	ASSY SENSOR CAP	319008900
76	TOP COVER DUCT GUIDE	317180800