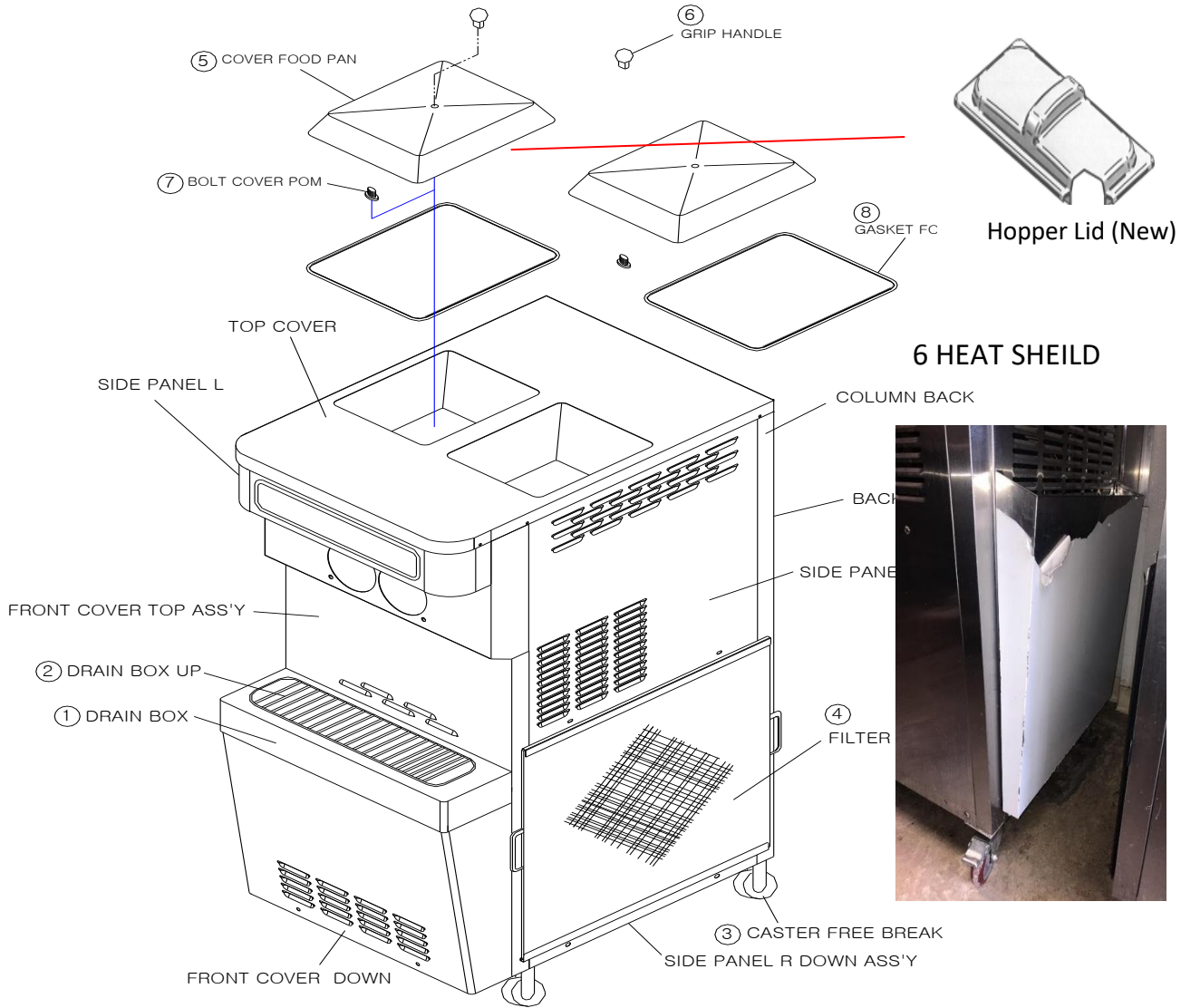


**PART LIST FOR ISI-203SN
60HZ**

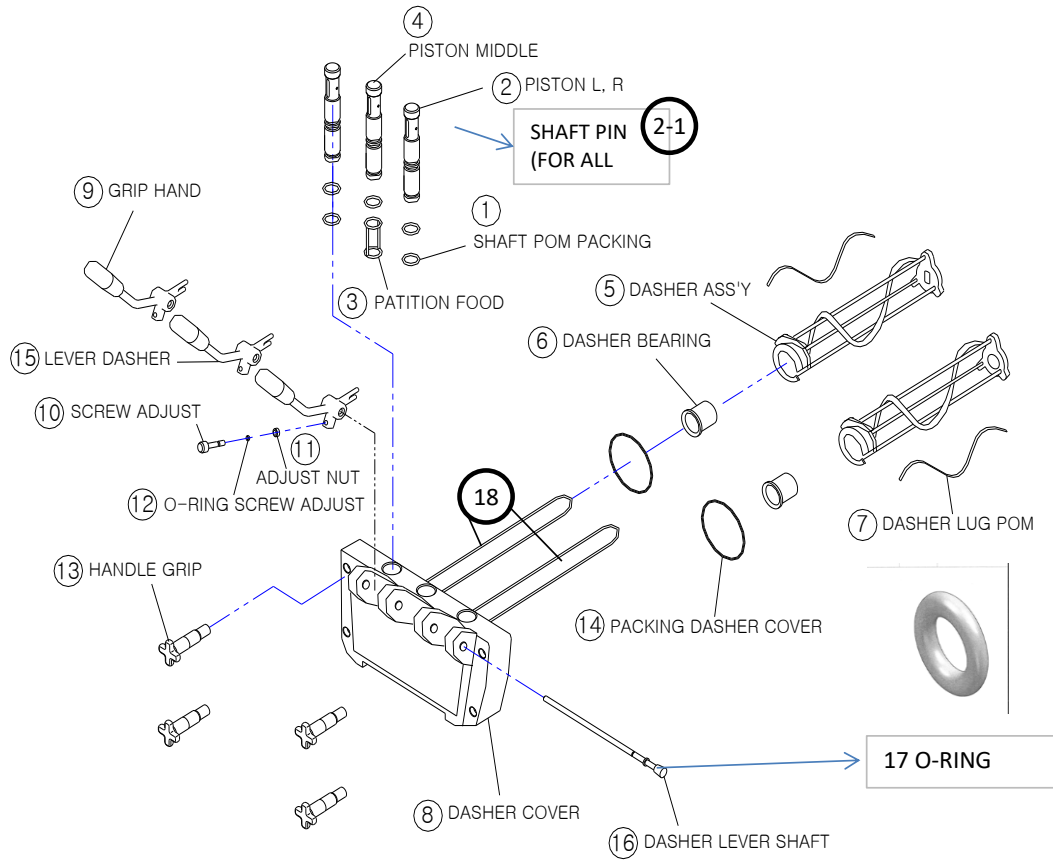
Revised in August 2024

ISI-203SN EXTERNAL ITEMS



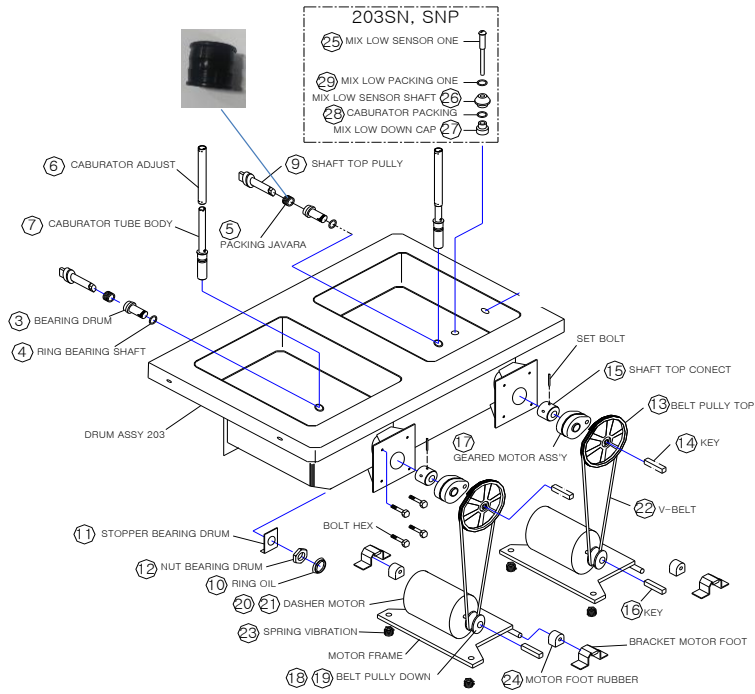
NO	PART DESCRIPTION(NEW FORMAT)	PART NAME(OLD)	PART NUMBER	Requested Q'ty
1	TRAY-DRIP 203	DRAIN BOX	336011300	1
2	SHEILD-SPLASH 203	DRAIN BOX UP	610021800	1
3	CASTER 203	CASTER FREE BREAK	218002700	4
4	AIR FILTER 203	FILTER CONDENSOR	640006100	1
5	HOPPER COVER 203	COVER BASKET (PRESENT / PC MATERIAL) 203SN	317102502	2
6	HEAT SHEILD 203	COVER AIR FLOW	349055600	1

ISI-203SN DOOR AND BEATER ASSEMBLY



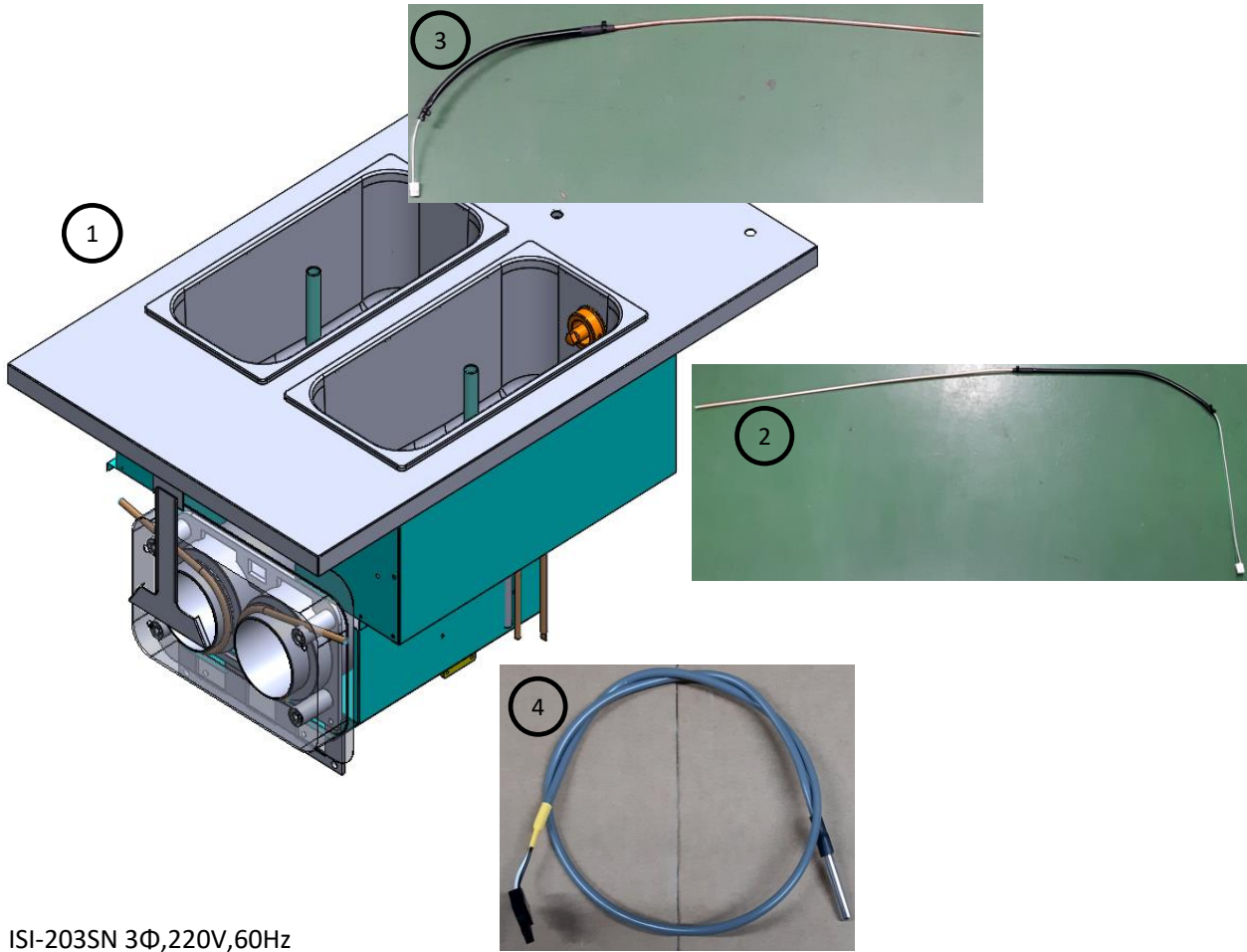
NO	PART DESCRIPTION(NEW FORMAT)	PART NAME(OLD)	PART NUMBER	Requested Q'ty
1	O-RING DRAW VALVE 203 303 VITON	O-RING	303055200	8
2	DRAW VALVE 203 303	PISTON SIDE	314034900	2
2-1	DRAW VALVE PIN		315002900	3
3	H-RING DRAW VALVE 203 303 VITON		232002801	1
4	DRAW VALVE - CENTER 203 303	PISTON MIDDLE	314034800	1
18	BAFFLE 203	MIXING SHAFT	314011300	2
5	BEATER 203	DASHER	403007200	2
6	BEARING DOOR-HUB 203	BEARING POM	310001000	2
7	SCRAPER BLADE 203	BLADE (NEW)	403010000	4
8	DOOR-FREEZING CYLINDER 203 303	DASHER COVER (NEW)	317140602	1
9	DRAW LEVER HANDLE 203 303	GRIP HAND	342002600	3
10	SCREW ADJUSTMENT 163TT	DISPENSING CONTROL_SCREW	210806100	3
11	HEX NUT-SCREW ADJUSTMENT 161	DISPENSING CONTROL_NUT	215011000	3
12	O-RING SCREW ADJUSTMENT 163TT	DISPENSING CONTROL_O-RING	303017700	3
13	NUT-STUD 203 303	HAND SCREW	443038600	4
14	GASKET-DOOR 203 301 303	DASHER COVER O-RING	303025800	2
15	DRAW LEVER 203 303	DASHER LEVER	309003200	3
16	PIN-PIVOT 203 303	DASHER LEVER SHAFT	314007000	1
17	O-RING PIN-PIVOT	O-RING LEVER SHAFT	303020000	1

ISI-203SN MOVING PARTS



NO	PART DESCRIPTION(NEW FORMAT)	PART NAME(OLD)	PART NUMBER	Requested Q'ty
3	DRIVE SHAFT 203 303	BEARING DRUM	327005701	2
4	DRIVE SHAFT RING 203 303	RING BEARING SHAFT	232003700	2
5	DRIVE SHAFT SEAL 203 303	PACKING JAVARA 16	303031700	2
6	FEED TUBE 203	CARBURETOR ADJUST	234000400	2
7	FEED TUBE BODY 203	CARBURETOR TUBE BODY	234000800	2
8	FEED TUBE BODY O-RING 203 303	RING CARBURETOR	232002500	4
9	BEATER SHAFT 203 303	SHAFT TOP PULLY	314013301	2
10	OIL SEAL 203 303	RING OIL	232001900	2
11	STOPPER BEARING CYLINDER 203 303	STOPPER BEARING DRUM	398009100	2
12	NUT BEARING CYLINDER 203 303	NUT BEARING DRUM	327005500	2
13	BELT PULLY UPPER 203 303	BELT PULLY TOP	307002000	2
14	BELT PULLY KEY UPPER (5*5, 15) 203 303	KEY (5*5, 15)	219001500	2
15	COUPLING DRIVE 203 303	SHAFT TOP CONECT	314006100	2
16	BELT PULLY KEY LOWER (6*6, 32) 203 303	KEY (6*6, 32)	219001600	2
17	GEAR REDUCER 203 303	GEARED MOTOR ASSY (50HZ, 60HZ)	406008002	2
19	BELT PULLY LOWER 203 303	BELT PULLY DOWN (203SN/1PH/50,60HZ)	307004400	2
20	BEATER MOTOR(220V/60HZ/3PH) 203	DASHER MOTOR (220V/60HZ/3PH)	353020300	2
20-1	MOTOR CAPACITOR (250VAC/60Hz, 150uF)	CAPACITOR (250VAC/60Hz, 150uF)	387001700	2
20-2	MOTOR CAPACITOR (350VAC,20μF/60Hz)	CAPACITOR (350VAC,20μF/60Hz)	387001800	2
22	V-BELT (A-38) -203	V-BELT (A-38)	305002600	4
23	SPRING VIBRATION 203	SPRING VIBRATION	323004100	4
24	MOTOR FOOT RUBBER 203 303	MOTOR FOOT RUBBER	353008200	4
	BRACKET MOTOR FOOT 203	BRACKET MOTOR FOOT	443043200	4
	MOTOR FRAME 203	MOTOR FRAME	353020200	2
25-29	MIX LEVEL SENSOR ASSEMBLY 203	MIX SENSOR ASSY 203	AE0019098700	
29-1	HARNESS SENSOR	HARNESS SENSOR	377047800	2

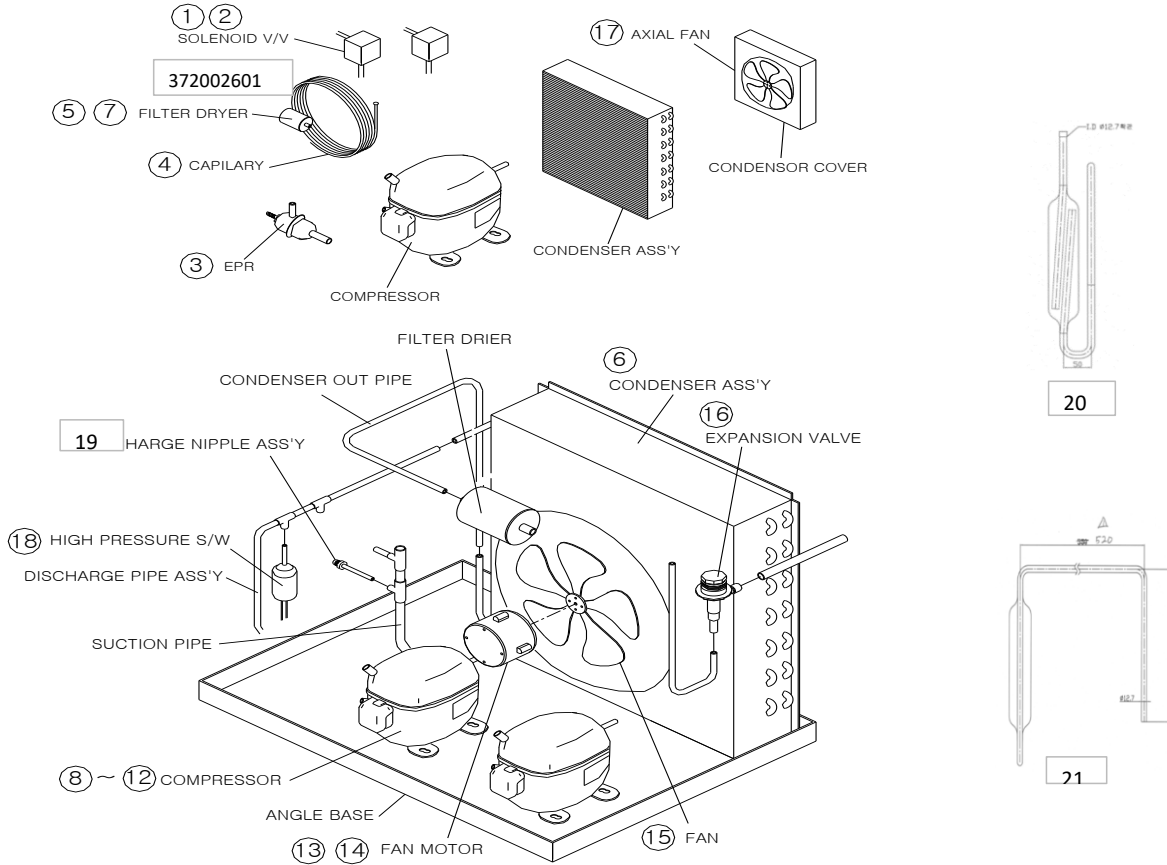
ISI-203SN SHELL&HOPPER



ISI-203SN 3Φ,220V,60Hz

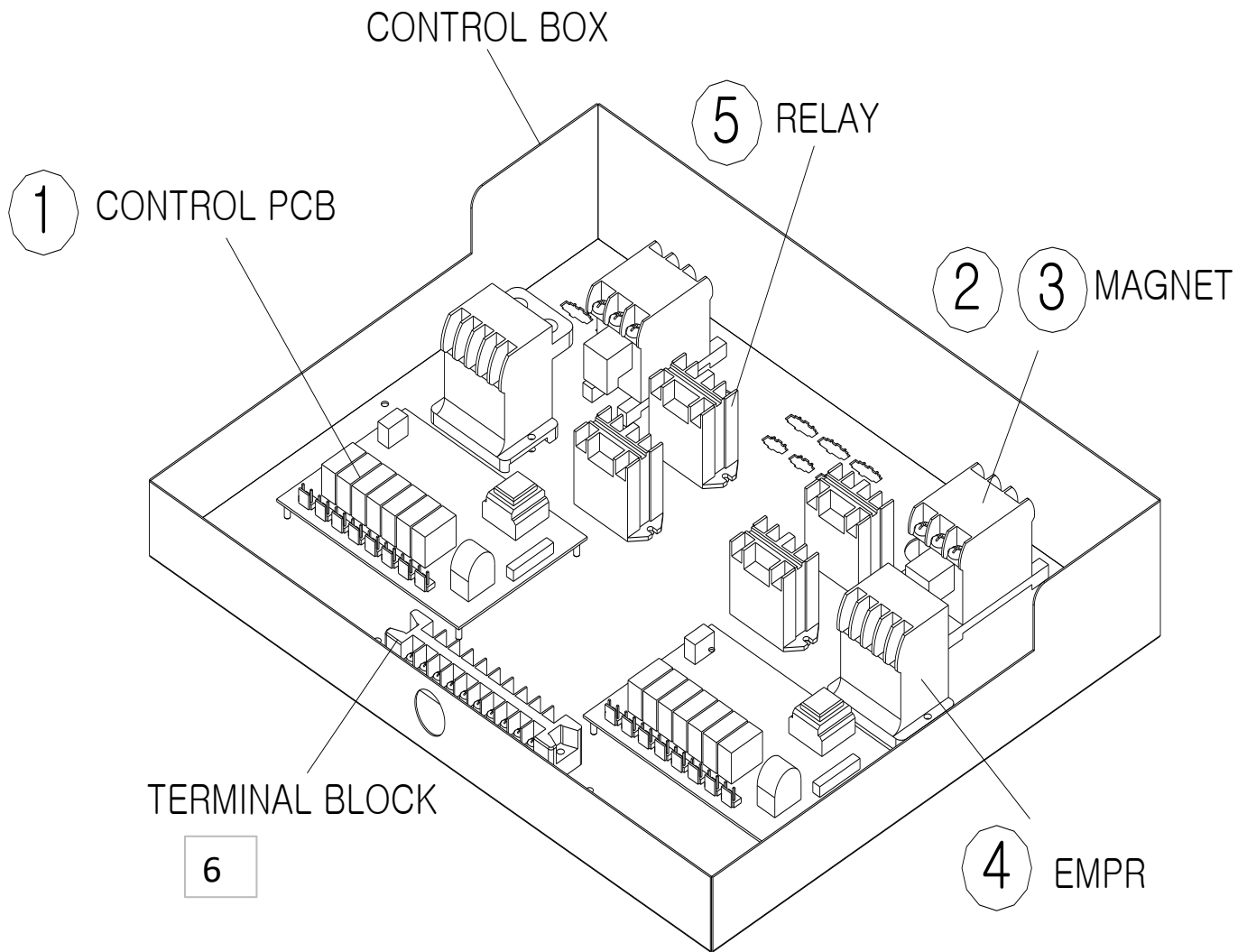
NO	PART DESCRIPTION(NEW FORMAT)	PART NAME(OLD)	PART NUMBER	Requested Q'ty
1	SHELL AND HOPPER 203SN	ASSY DRUM 203SN	410015000	2
2	THERMISTOR SENSOR-CYLINDER 203 303	THERMAL SENSOR CYLINDER	317075102	2
3	THERMISTOR SENSOR-HOPPER 203	THERMAL SENSOR MIX	317101901	2
4	THERMISTOR SENSOR-CONDENSER 203	EVA SENSOR (S)	655007400	2

ISI-203SN REFRIGERATION ASSEMBLY



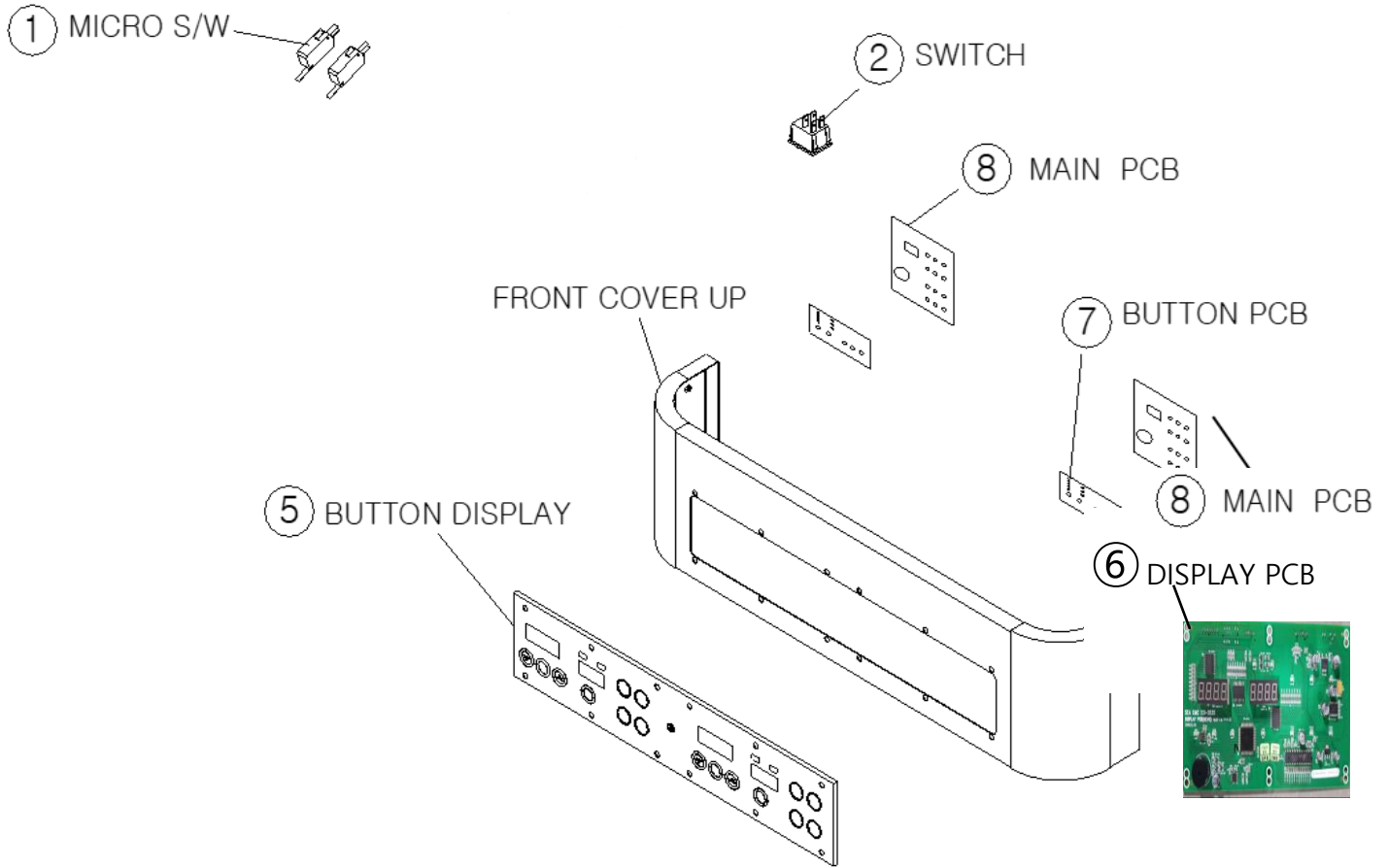
NO	PART DESCRIPTION(NEW FORMAT)	PART NAME(OLD)	PART NUMBER	Requested Q'ty
1	SOLENOID VALVE COIL 203	SOLENOID VALVE COIL	340011600	2
2	SOLENOID VALVE BODY 203	SOLENOID VALVE BODY	340014100	2
3	E.P.R 203 303	E.P.R	523000300	3
4	CAPILLARY 11280 203	CAPILLARY 11280	325162600	2
5	FILTER DRYER	FILTER DRYER	372002601	1
6	CONDENSER ASSEMBLY 203	CONDENSER ASSY	411009700	1
7	FILTER DRYER	FILTER DRYER	372002601	2
8	COMPRESSOR TAJ2446Z 203	COMP-CYLINDER /TAJ2446Z (220V/60HZ/3PH)	394011400	2
8-1	COMPRESSOR OLP TAJ2446Z	OLP (TAJ2446Z,220V,60Hz)	658008500	2
12	COMPRESSOR GU60TG 163TT 203	COMP/GU60TG	394024100	1
12-1	COMPRESSOR STARTER KIT GU60TG	ASSY CSR BOX	426074200	1
13	MOTOR FAN 203	FAN MOTOR (220V/60HZ/1.3PH)	353018101	1
15	FAN BLADE 203	FAN	308003100	1
16	AXV 203 271 303	EXPANSION V/V	340006100	2
17	AXIAL FAN 203	AXIAL FAN	353009900	1
18	HIGH PRESSURE CUT OUT 163TT 203 303	HIGH PRESSURE SWITCH	355007700	2
19	ACCESS VALVE 203 303	CHARGE NIPPLE ASSY	459000400	4
20	ACCUMULATOR (LEFT)	ACCUMULATOR ASSY (L)	407028800	1
21	ACCUMULATOR (RIGHT)	ACCUMULATOR ASSY (R)	407028900	1

ISI-203SN CONTROL BOX



NO	PART DESCRIPTION(NEW FORMAT)	PART NAME(OLD)	PART NUMBER	Requested Q'ty
1	CONTROL PCB 163 203 301 303	CONTROL PCB	367006002	2
2	MAGNETIC CONTACTOR(3a) 203 303	MAGNET (3a)	322003800	2
3	MAGNETIC CONTACTOR(2a) 163 203	MAGNET (2a)	322002300	2
4	EMPR 203 301 303	EMPR (60T/30A)	356000800	2
5	RELAY HOPPER CONTROL 163 203 303	RELAY (730-2TB)	602000500	2
6	TERMINAL BLOCK ASSEMBLY(220V/60HZ/3PH)	ASSY TERMINAL BLOCK (220V/	704000300	1

ISI-203SN INTERFACE PANEL



NO	PART DESCRIPTION(NEW FORMAT)	PART NAME(OLD)	PART NUMBER	Requested Q'ty
1	MICRO SWITCH 163 203 303	ASSY MICRO SWITCH	460002700	3
	HARNESS MICRO SWITCH 203 303	HARNESS MICRO S/W	377170200	3
2	MAIN SWTICH 163 203 303	SWITCH	355012400	1
5	BUTTON DISPLAY DECAL 163 203 303	BUTTON DISPLAY (203SN-NO HOLES)	440030501	1
6	DISPLAY PCB 163 203 301 303	DISPLAY PCB	367005704	2
7	BUTTON PCB 163 203 301 303	BUTTON PCB	367005901	2
8	MAIN PCB 163 203 301 303	MAIN PCB	367005805	2