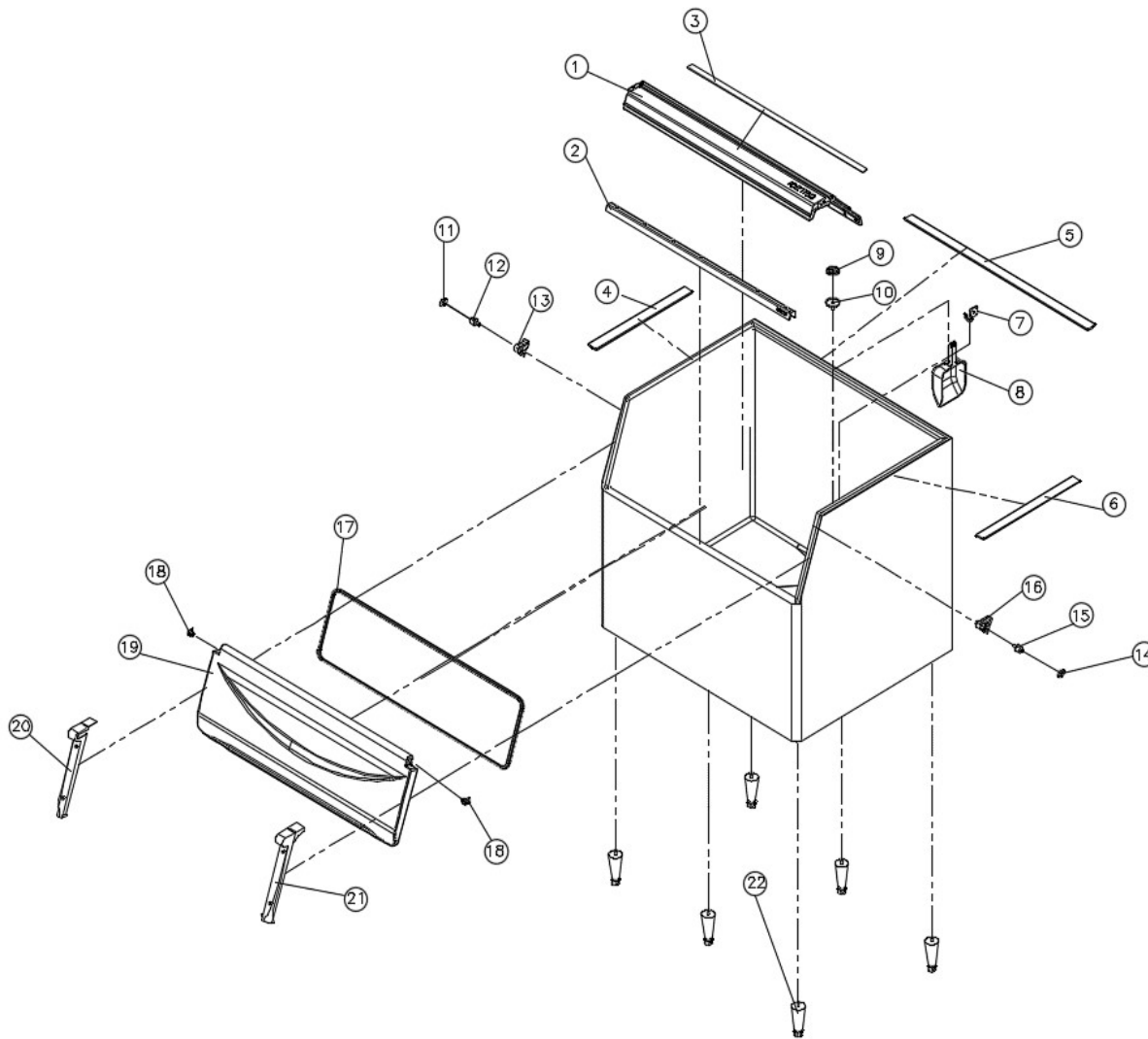


# IB-085-48(48")



NO	ITEMS	CODE	Q'TY
*	BIN CASE ASS'Y		1
1	ICE GUIDE(48)	317224900	1
2	DOOR FRAME	391018400	1
3	FRONT GASKET(T8.0)		1
4	SIDE GASKET(T8.0)		1
5	BACK GASKET(T8.0)		1
6	SIDE GASKET(T8.0)		1
7	HANGER		1
8	ICE SCOOP	607001000	1
9	DRAIN PLUG(CASE)		1
10	DRAIN PLUG(COVER)		1
11	DAMPER HOUSING COVER		1
12	DAMPER(50K)_LEFT		1
13	DAMPER HOUSING(LEFT)		1
14	DAMPER HOUSING COVER		1
15	DAMPER(50K)_RIGHT		1
16	DAMPER HOUSING(RIGHT)		1
17	DOOR GASKET		1
18	DOOR DAMPER COVER		2
19	DOOR(With foaming)	349109400	1
20	DAMPER BRACKET(LEFT)	341017000	1
21	DAMPER BRACKET(RIGHT)		2
22	ADJUSTABLE FOOT(M20)		6
23			
24			
25			
26			
27			
28			
29			