

V SERIES

Parts Catalog



V30, V40, & V60

Valid from machine number:

V30: 30007634

V40: 40008430

V60: 60007226



Varimixer USA
2215 East River Road Moraine, Ohio 45439

P: (800) 222-1138
varimixerusa.com

DRN: 20030-1336

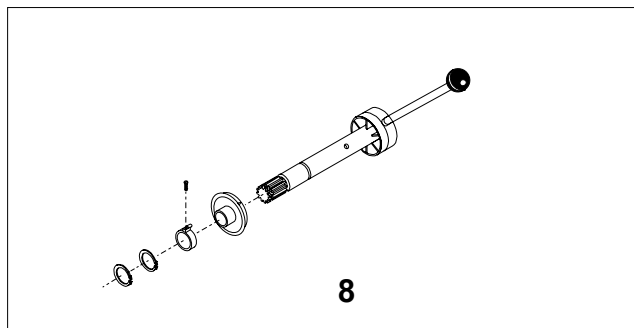
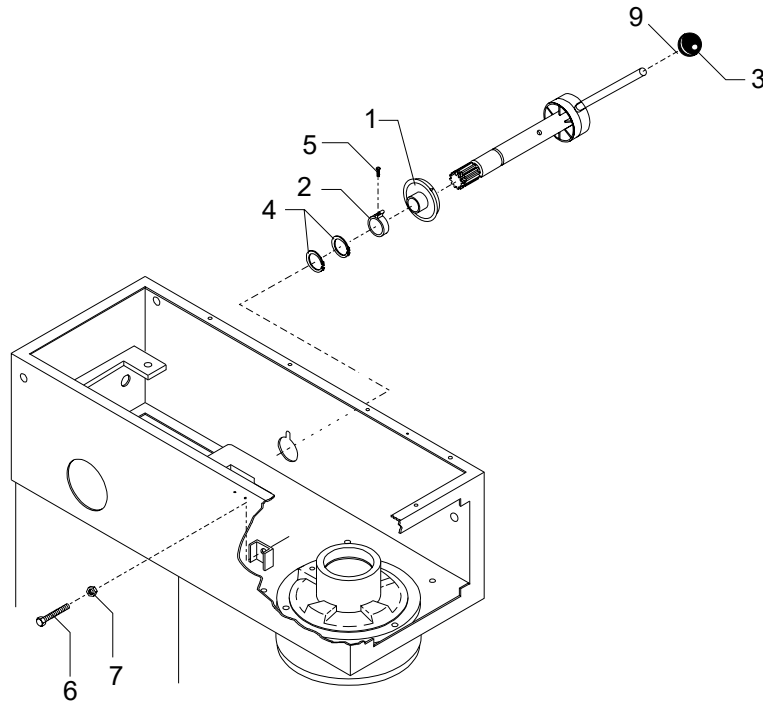
REV. -
1/1/2024

TABLE OF CONTENTS

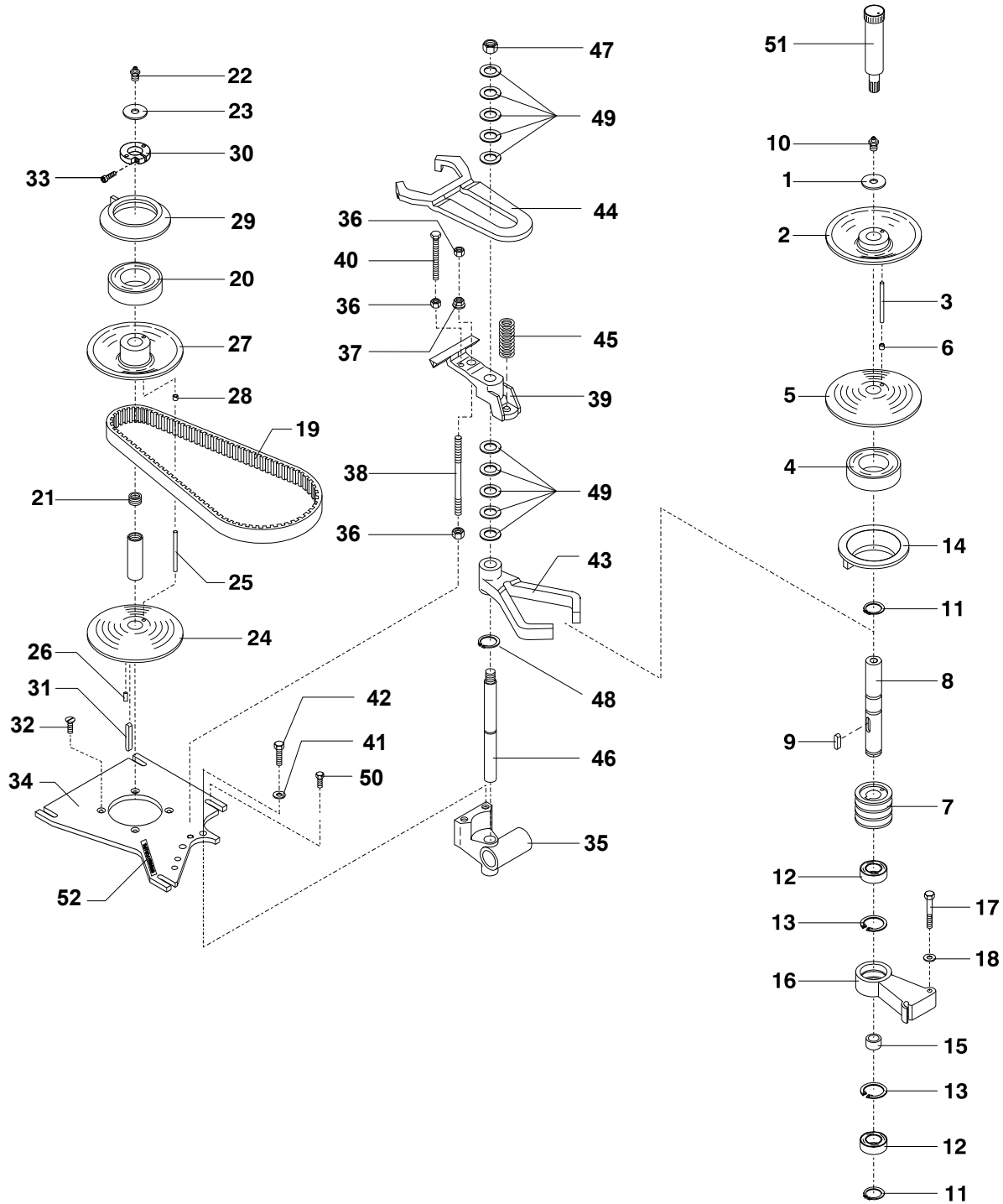
SPEED LEVER COMPONENTS.....	2
TRANSMISSION COMPONENTS.....	3
PLANETARY HEAD COMPONENTS.....	5
MACHINE COLUMN COMPONENTS.....	7
BOWL GUARD COMPONENTS	9
LIFT SYSTEM COMPONENTS.....	10
ATTACHMENT DRIVE COMPONENTS	12
MICROSWITCH COMPONENTS.....	14
CONTROL BOX COMPONENTS.....	15
CONTROL PANEL COMPONENTS.....	16
ACCESSORIES & ACCESSORY COMPONENTS.....	17
WIRING DIAGRAM.....	18

SPEED LEVER COMPONENTS

Item #	Description	Part Number	
		V30 & V40	V60
1.....	Speed Indicator.....	AR30-47.10.....	AR30-47.10
2.....	Clamp W/ Screw.....	AR30-47.11.....	AR30-47.11
3.....	Knob.....	STA3306.....	STA3306
4.....	Retaining Ring.....	STA3414.....	STA3414
5.....	Screw.....	STA5247.....	STA5247
6.....	Screw.....	STA5439.....	STA5439
7.....	Nut.....	STA5810.....	STA5810
8.....	Speed Lever Kit.....	AR31-47Z.....	AR61-47Z
9.....	Shim.....	STA3304.....	STA3304



TRANSMISSION COMPONENTS

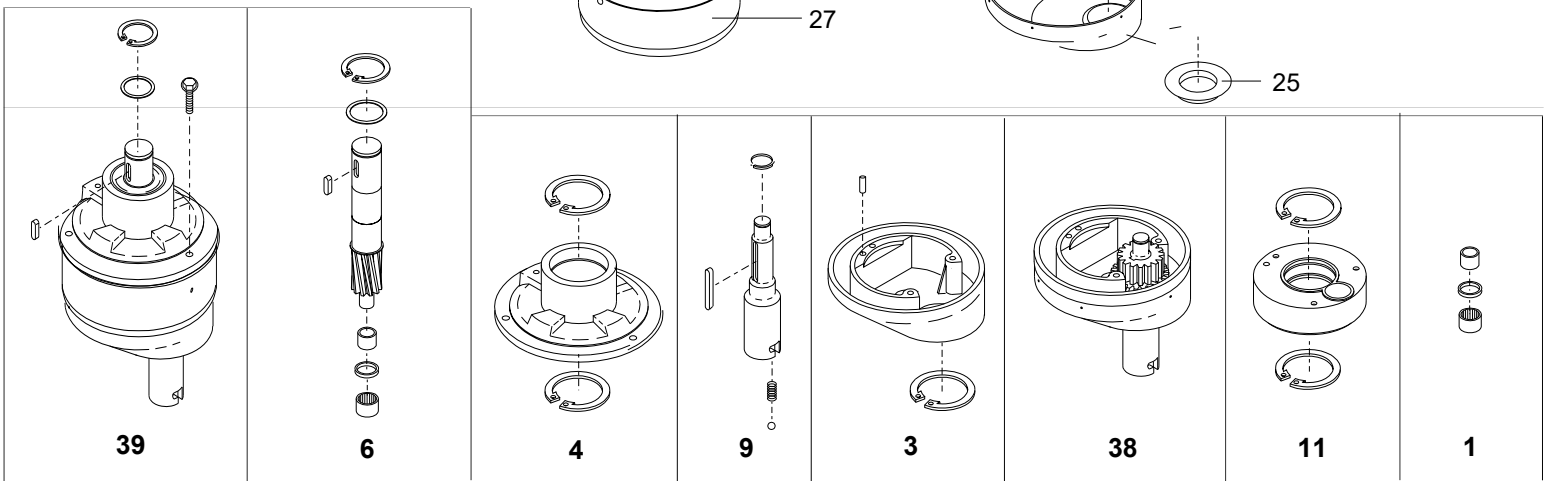
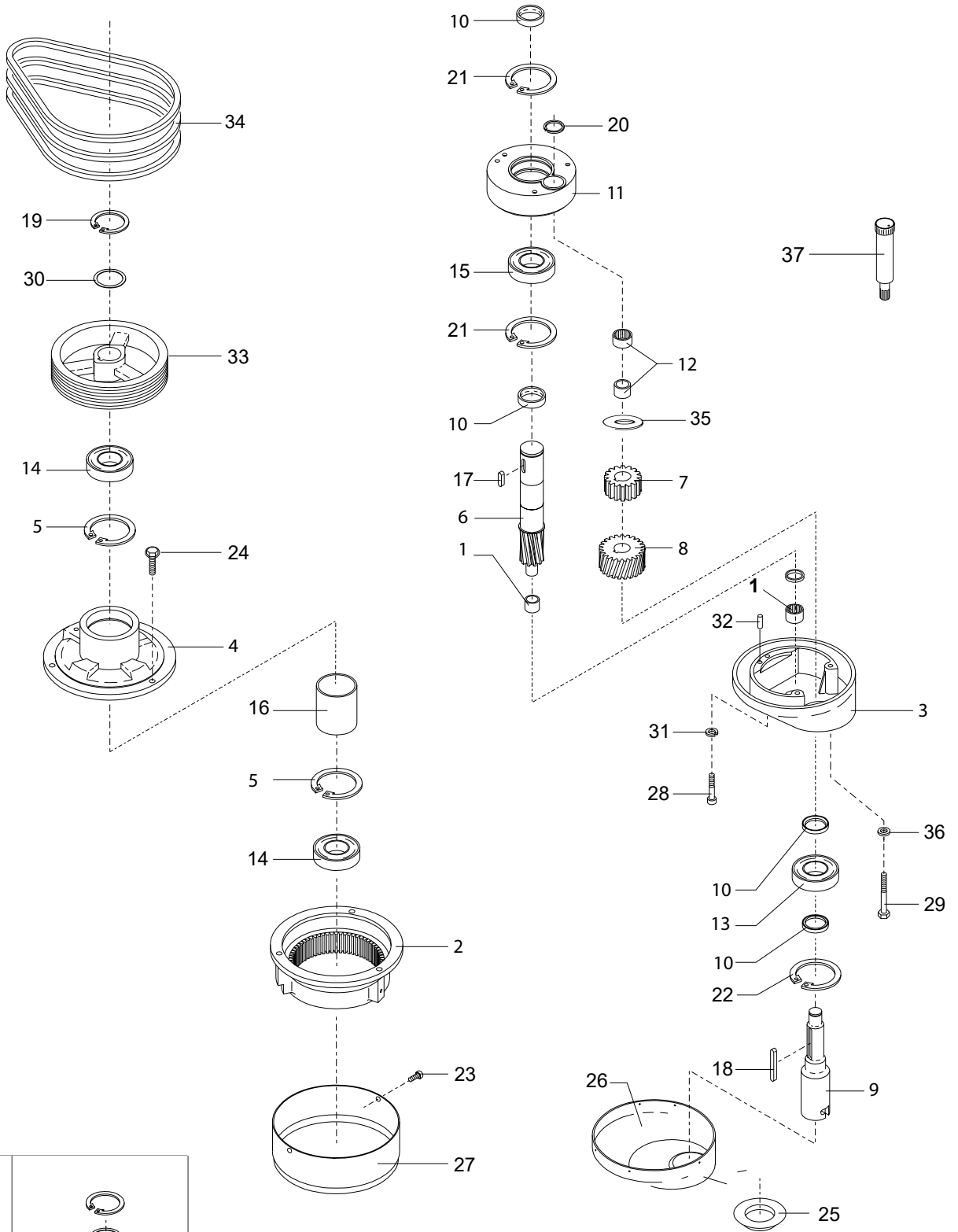


53	8, 55	24	2	5, 28	30	35	46

TRANSMISSION COMPONENTS

Item #	Description	Part Number	
		V30 & V40	V60
1.....	Washer.....	STA6018.....	STA6018
2.....	Upper Sliding Pulley Assembly.....	R15-13.1.....	R60-13.1
3.....	Pin.....	R30-285.....	R60-285
4.....	Bearing.....	R15-103.....	R15-103
5.....	Sliding Pulley Assembly.....	R15-15Z.....	R60-15Z
6.....	Bushing.....	STA2505.....	STA2505
7.....	Pulley.....	R27-128.....	R60-128
8.....	Bearing Shaft Kit.....(MUST ORDER).....	R27-6M.....	R60-6M
9.....	Key.....	STA2024.....	STA2024
10.....	Grease Fitting.....	STA3220.....	STA3220
11.....	Retaining Ring.....	STA3410.....	STA3410
12.....	Bearing.....	R27-102.....	R27-102
13.....	Retaining Ring.....	STA3514.....	STA3514
14.....	Vari Speed Collar.....	R15-17.1.....	R15-17.1
15.....	Bushing.....	R15-143.....	R15-143
16.....	Pulley Arm.....	R30-6M5.....	R30-6M5
17.....	Screw.....	STA5348.....	STA5348
18.....	Washer.....	STA6033.....	STA6033
19.....	V Belt.....	R27-91.....	R60-91
20.....	Bearing.....	R15-103.....	R15-103
21.....	Threaded Fitting.....	R15-156.....	R15-156
22.....	Grease Fitting.....	STA3220.....	STA3220
23.....	Washer.....	STA6018.....	STA6018
24.....	Lower Pulley.....(MUST ORDER).....	R15-13.1Z.....	R60-13.1Z
25.....	Pin.....	R30-285.....	R60-285
26.....	Set Screw.....	STA5602.....	STA5602
27.....	Pulley.....(MUST ORDER).....	R15-15Z.....	R60-15Z
28.....	Bushing.....	STA2505.....	STA2505
29.....	Vari Speed Collar.....	R15-17.1.....	R15-17.1
30.....	Clamp Ring Kit.....	R27-227Z.....	R27-227Z
31.....	Key.....	STA2011.....	STA2011
32.....	Screw.....	STA5018.....	STA5018
33.....	Screw.....	STA5612.....	STA5612
34.....	Motor Plate.....	R60-61.1E.....	R60-61.1E
35.....	Bearing Bracket Kit.....	R15-18Z.....	R15-18Z
36.....	Nut.....	STA5810.....	STA5810
37.....	Flange Nut.....	STA5895.....	STA5895
38.....	Threaded Rod.....	AR81-305.....	AR81-305
39.....	Belt Tightener Bracket.....	R20-26.1.....	R20-26.1
40.....	Screw.....	STA5446.....	STA5446
41.....	Washer.....	STA6010.....	STA6010
42.....	Screw.....	STA5345.....	STA5345
43.....	Lower Fork.....	R27-16.....	R27-16
44.....	Belt Tightener Fork.....	R20-19.....	R20-19
45.....	Spring.....	W40P-275.....	W40P-27
46.....	Toothed Rack Kit.....	R15-46Z.....	R15-46Z
47.....	Nut.....	STA5815.....	STA5815
48.....	Retaining Ring.....	STA3408.....	STA3408
49.....	Washer.....	STA6040.....	STA6040
50.....	Screw.....	STA5066.....	STA5066
51.....	Pulley Grease Tube (14oz).....	SM711.....	SM711
52.....	Greased For Life Label.....	R20-249.....	R20-249
53.....	Motor Pulley Assembly.....	R15-59.2Z.....	R60-59.1Z
54.....	Lower Motor Pulley Assembly.....	R15-13.1Z.....	R60-13.1Z
55.....	Vari Speed Pulley & Arm Assembly.....	R15-6M.....	R60-6M

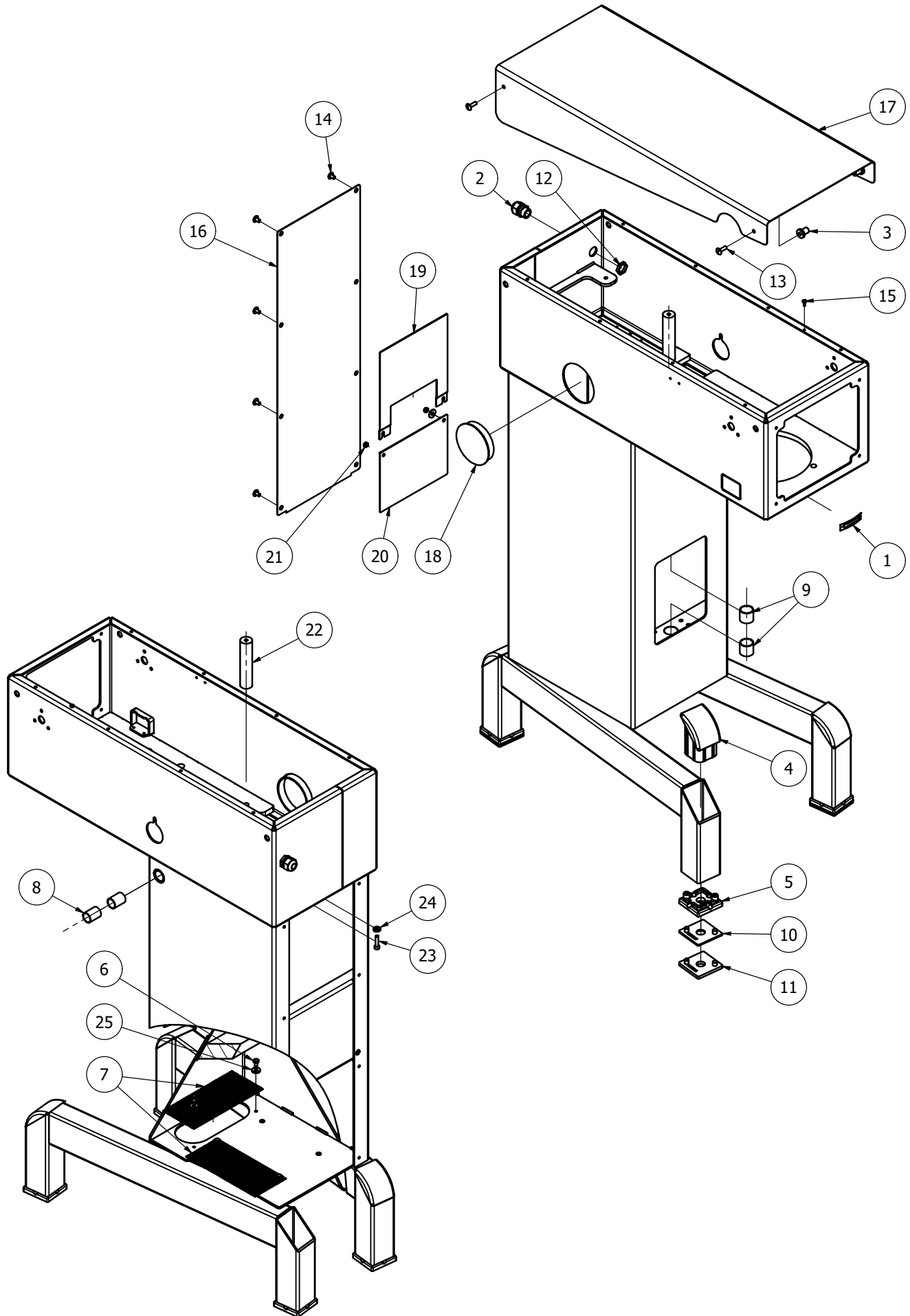
PLANETARY HEAD COMPONENTS



PLANETARY HEAD COMPONENTS

Item #	Description	Part Number		
		V30	V40	V60
1	Needle Bearing Kit	R30-101Z	R40-101Z	R40-101Z
2	Ring Gear	R30-1	R40-1	R60-1
3	Eccentric Head Kit	R30-2Z	R40-2Z	R60-2Z
4	Bearing Housing Kit	R40-3Z	R40-3Z	R60-3Z
5	Retaining Ring	STA3526	STA3526	STA3526
6	Main Shaft Kit	R30-30Z	R40-30Z	R60-30.1Z
7	Upper Pinion Gear	R30-31	R40-31	AR60-31
8	Lower Pinion Gear	R30-32	R40-32	R60-32.1
9	Bayonet Shaft Kit	R30-33.5Z	AR40-33.5Z	R60-33.5Z
10	Spacer	R40-34	R40-34	R60-37
11	Eccentric Disc Kit	R30-36Z	R40-36Z	R60-36Z
12	Needle Bearing Kit	R30-96	R40-96	R60-96
13	Bearing	R30-97	R40-97	R60-97
14	Bearing	R30-98	R40-98	R60-98
15	Bearing	R30-100	R40-100	R60-100
16	Distance Tube	R40-141	R40-141	R60-141
17	Key	STA2030	STA2030	STA2030
18	Key	STA2038	STA2040	STA2034
19	Snap Ring	STA3425	STA3425	STA3427
20	Retaining Ring	STA3472	STA3474	STA3474
21	Retaining Ring	STA3520	STA3520	STA3523
22	Retaining Ring	STA3522	N/A	STA3526
23	Screw	STA5263	STA5256	STA5256
24	Screw	STA5333	STA5333	STA5333
25	Seal Ring	W40-209	W40-209	R60-209.1
26	Metal Head Cap	W40-272	W40-272	W60-272
27	Plastic Ring	AR30-162H	AR40-162H	AR60-162H
28	Screw	STA5645	STA5645	STA5646
29	Screw	AR30-41	AR40-41	STA5652
30	Washer	STA6043	STA6043	STA6047
31	Lock Washer	STA6055	STA6057	STA6057
32	Dowel Pin	STA6460	STA6460	STA6064
33	Pulley	R40-129A	R40-129A	R60-129A
34	V Belt (3/SET)	R40-90.1Z	R40-90.1Z	R60-90.1Z
35	Washer	STA6046	N/A	R60-235
36	Washer	STA6029	STA6029	STA6029
37	Grease Gun	R15-142-USPUL	R15-142-USPUL	R15-142-USPUL
38	Lower Planetary Assembly	W30-2.3Z	R40-2.21M	R60-2.4Z
39	Complete Planetary Assembly	W30-2.2M	W40-2.2M	W60-2.2M

MACHINE COLUMN COMPONENTS

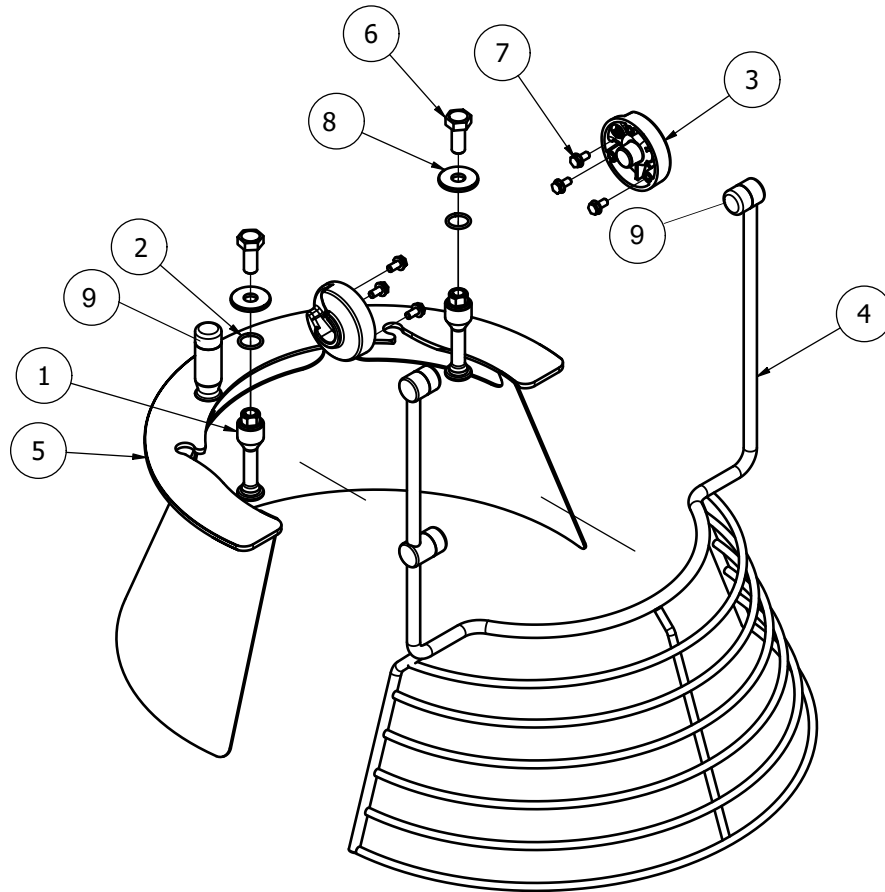


MACHINE COLUMN COMPONENTS

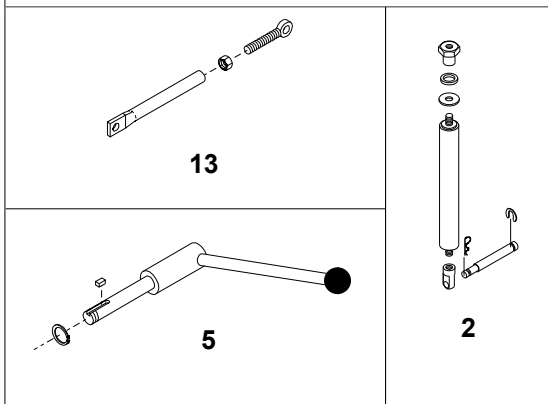
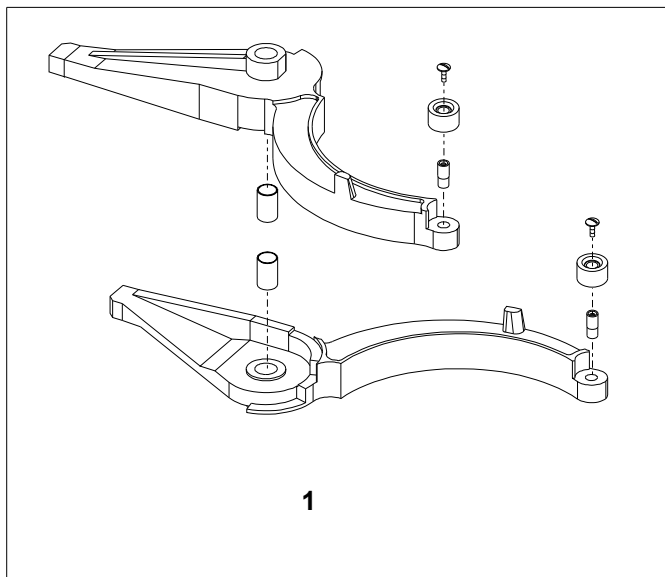
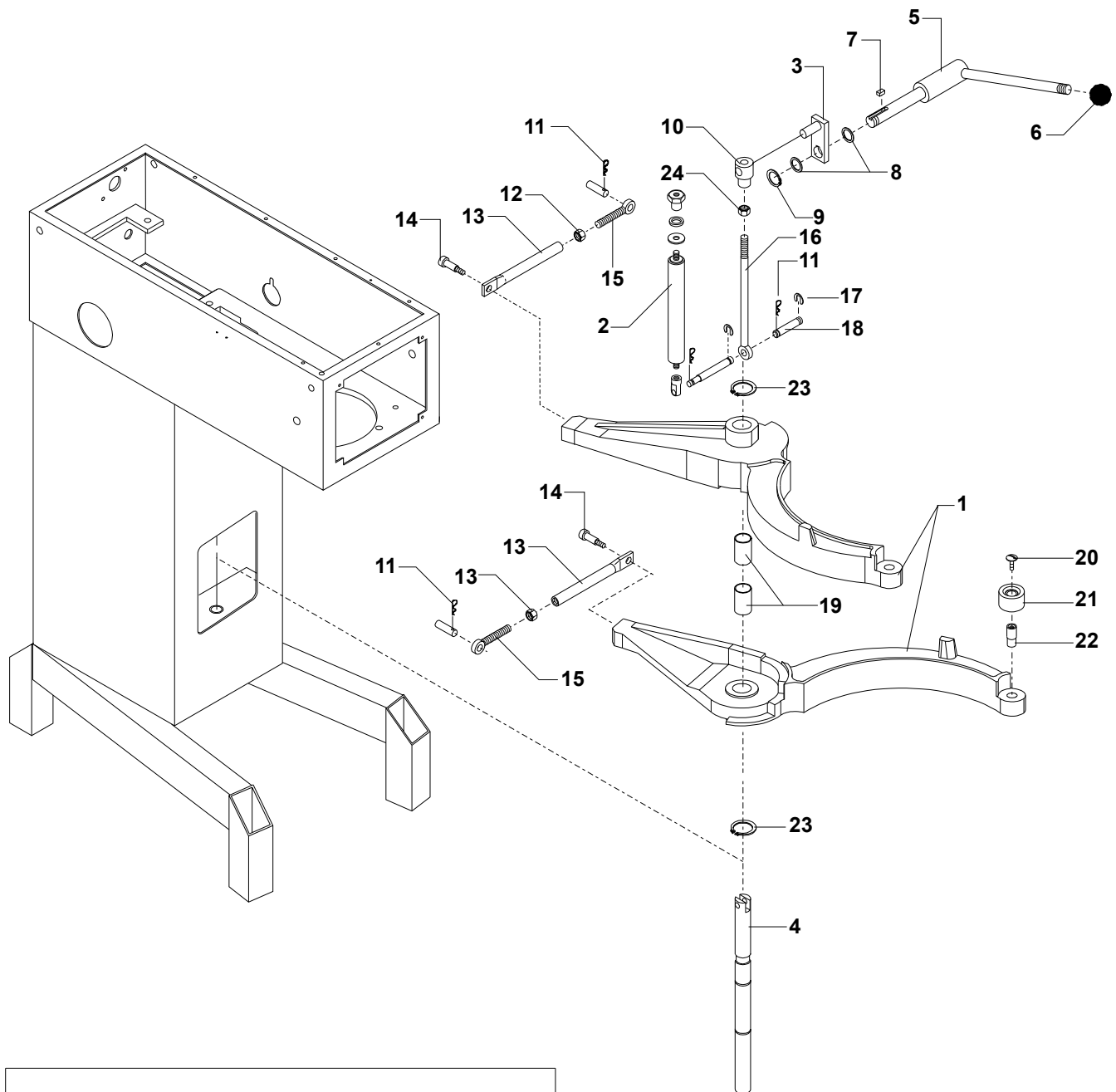
Item #	Description	Part Number	
		V30 & V40	V60
1.....	Arrow Label.....	R15-245.....	R15-245
2.....	Strain Relief.....	STA3002.....	STA3002
3.....	Threaded Bushing.....	STA6580.....	STA6580
4.....	Knee Pad.....	AR30-212.....	AR60-212
5.....	Foot.....	AR30-213.....	AR60-213
6.....	Screw.....	STA5045.....	STA5045
7.....	Screen.....	AR31-22.180.....	AR31-22.180
8.....	Bushing.....	STA2515.....	STA2515
9.....	Bushing.....	STA2520.....	STA2520
10.....	Adjustment Plate (3MM).....	AR30-214.3.....	AR60-214.3
11.....	Adjustment Plate (6MM).....	AR30-214.6.....	AR60-214.6
12.....	Nut.....(MUST ORDER)....	STA3002.....	STA3002
13.....	Screw.....	STA5017.....	STA5017
14.....	Screw.....	STA5080.....	STA5080
15.....	Screw.....	STA5232.....	STA5232
16.....	Back Plate.....	AR31-22.17R.....	AR61-22.17R
17.....	Top Cover.....	AR31P-21.....	AR61P-21
18.....	Plug.....	STA6510.....	STA6510
19.....	Upper Plate.....	AR31-270.....	AR61-270
20.....	Lower Plate.....	AR31-271M.....	AR61-271
21.....	Nut.....	STA5897.....	STA5897
22.....	Standoff.....	AR31-148E.....	AR61-148M4
23.....	Screw.....	STA5625.....	STA5625
24.....	Lock Washer.....	STA6056.....	STA6056
25.....	Washer.....	STA6165.....	STA6165

SAFETY GUARD COMPONENTS

Item #	Description	Part Number		
		V30	V40	V60
1	Mounting Shaft	56AR31-102.1	56AR31-102.1	56AR61-102.1
2	O-ring	STA3143	STA3143	STA3143
3	Shield Hinge	56AR31-107M	56AR31-107M	56AR31-107M
4	Front Bowl Guard	56AR31-21.1M	56AR41-21.1M	56AR61-21.1M
5	Rear Bowl Guard	56AR31-22	56AR41-22	56AR61-22
6	Bolt	STA5047	STA5047	STA5047
7	Screw	STA5344	STA5344	STA5344
8	Washer	STA6033	STA6033	STA6033
9	Magnet Cap	56AR31-104	56AR31-104	56AR31-104



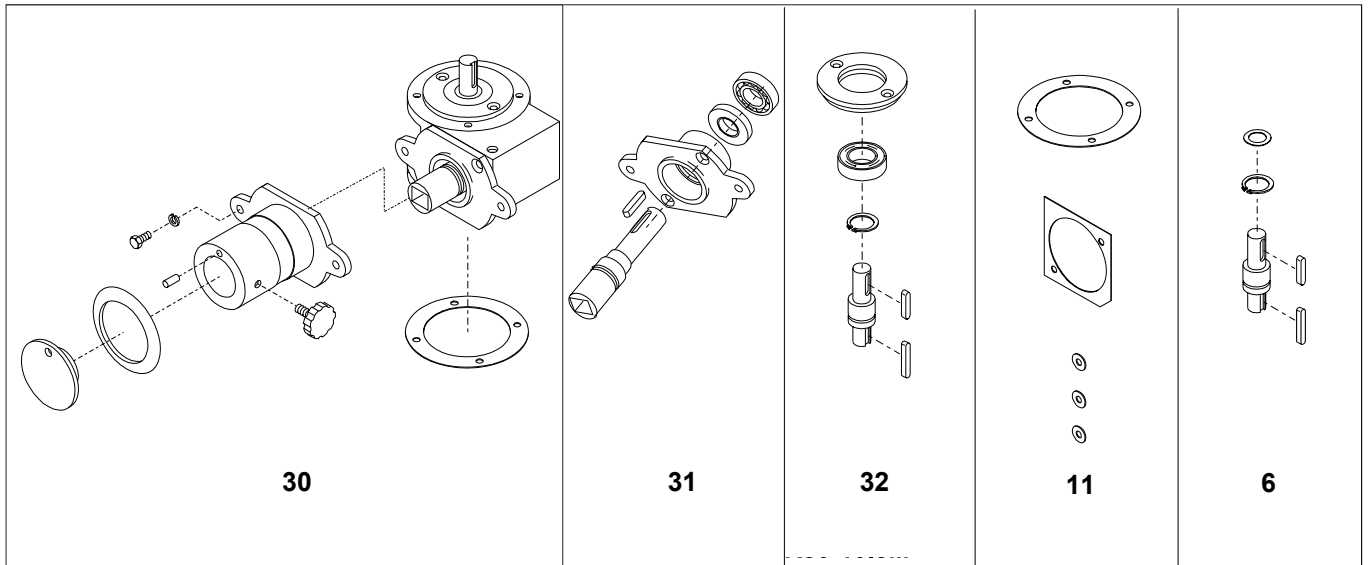
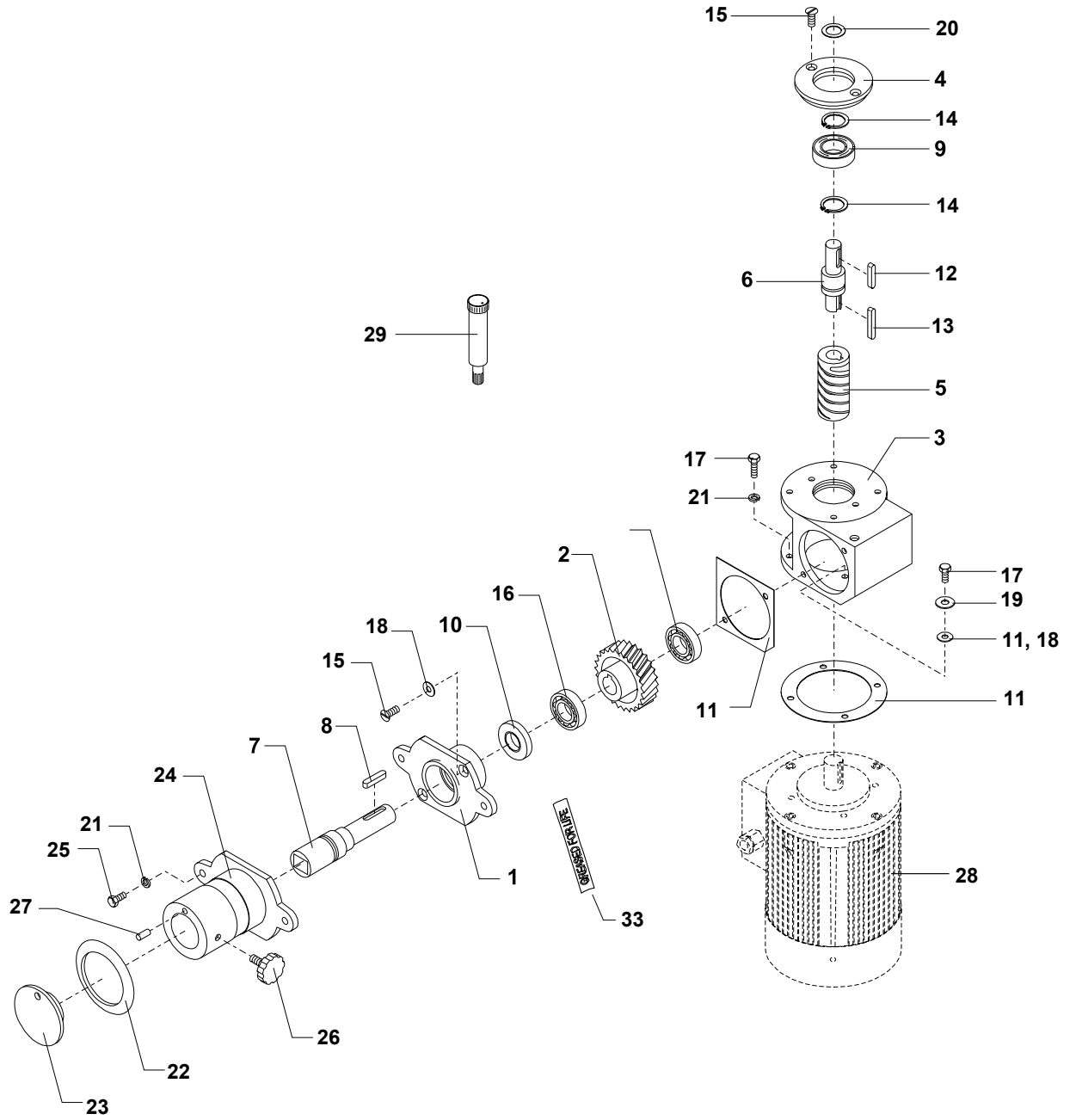
LIFT SYSTEM COMPONENTS



LIFT SYSTEM COMPONENTS

Item #	Description	Part Number		
		V30	V40	V60
1	Bowl Arm Kit	AR31-23/24.1M2	AR41-23/24Z	AR61-23/24Z
2	Shock Absorber Kit	W40-600M	W40-600M	W60-600M
3	Crank Arm	R27-63ME	R27-63ME	R60-63ME
4	Bowl Arm Shaft Kit	AR31-68Z	AR31-68Z	AR61-68Z
5	Lift Lever Kit	R27-62Z	R27-62Z	R60-62Z
6	Knob	STA3308	STA3308	STA3308
7	Key	STA2020	STA2020	STA2020
8	Washer	STA6044	STA6044	STA6044
9	Retaining Ring	STA3408	STA3408	STA3408
10	Lift Nut	AR40-65M	AR40-65M	AR40-65M
11	Cotter Pin	STA6205	STA6205	STA6205
12	Jam Nut	STA5827	STA5827	STA5827
13	Extension Rod Kit	R30-69Z	R30-69Z	R60-69Z
14	Shoulder Bolt	STA5690	STA5690	STA5690
15	Eyebolt	R30-80E	R30-80E	R30-80E
16	Lift Bolt Kit	R30-65Z	R30-65Z	R60-65Z
17	Snap Ring	STA3580	STA3580	STA3580
18	Lift Bolt Pin	W40-603E	W40-603E	W40-603E
19	Bushing	STA2522	STA2522	STA2522
20	Screw	STA5088	STA5088	STA5088
21	Bowl Arm Roller	AR31-128	AR31-128	AR31-128
22	Roller Shaft	AR31-127	AR31-127	AR31-127
23	Retaining Ring	STA3467	STA3467	STA3467
24	Nut	STA5827	STA5827	STA5827

ATTACHMENT DRIVE COMPONENTS

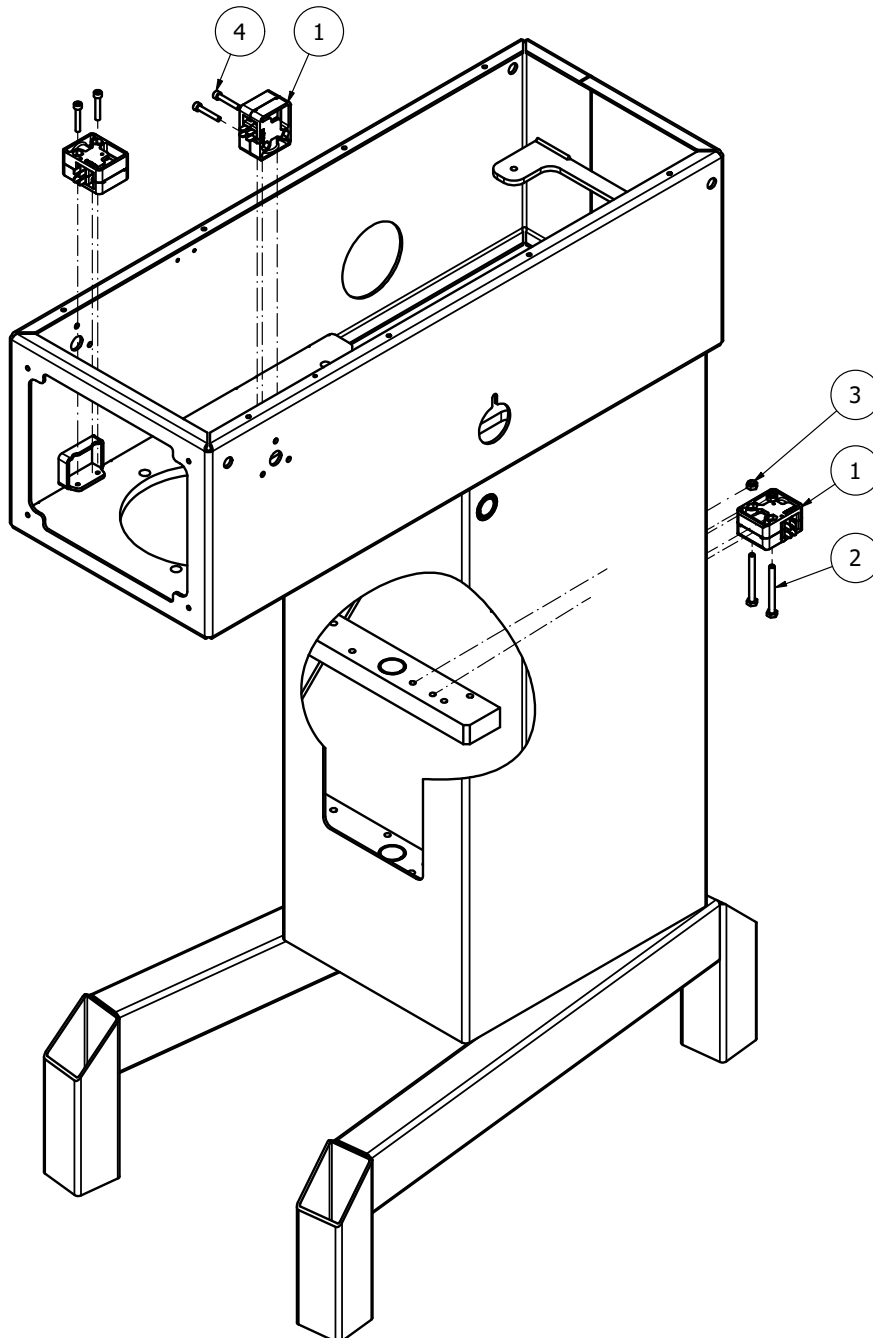


ATTACHMENT DRIVE COMPONENTS

<u>Item #</u>	<u>Description</u>	<u>Part Number</u>
1.....	Hub Bracket.....	R15-5
2.....	Worm Wheel.....	R20-9
3.....	Gear Case.....	R15-10
4.....	Gear Case Cover.....	R15-11
5.....	Worm Gear.....	R20-49
6.....	Gear Shaft Kit.....	R20-52
7.....	#12 Drive Shaft.....	R15-50.6
8.....	Key.....	STA2032
9.....	Bearing.....	R27-102
10.....	Oil Seal.....	R20-107
11.....	Gasket Kit.....	R20-300Z
12.....	Key.....	STA2007
13.....	Key.....	STA2011
14.....	Retaining Ring.....	STA3410
15.....	Screw.....	STA5018
16.....	Bearing.....	R15-105
17.....	Screw.....	STA5066
18.....	Washer.....	STA5908
19.....	Washer.....	STA6020
20.....	Washer.....	STA6054
21.....	Lock Washer.....	STA6056
22.....	Gasket Ring.....	R15-211
23.....	Hub Cover.....	R15-215.1
24.....	#12 Hub.....	R15-8.6M0
25.....	Screw.....	STA5322
26.....	Thumbscrew.....	4R-125
27.....	Pin.....	STA6316
28.....	Motor (115V/60HZ/1PH) V30.....	W60-85.61
28.....	Motor (208V/60HZ/1PH) V40-1 & V60-1..	W60-85.64
28.....	Motor (208V/60HZ/3PH) V40-3 & V60-3..	W60-85.54
29.....	Hub Grease Tube (14oz).....	SM715
30.....	Hub & Drive Gear Kit.....	02030-0012
31.....	Hub Bracket & Shaft Kit.....	RN30-5.6M
32.....	Shaft & Cover Kit.....	RN30-52M
33.....	"Greased For Life" Label.....	R20-249

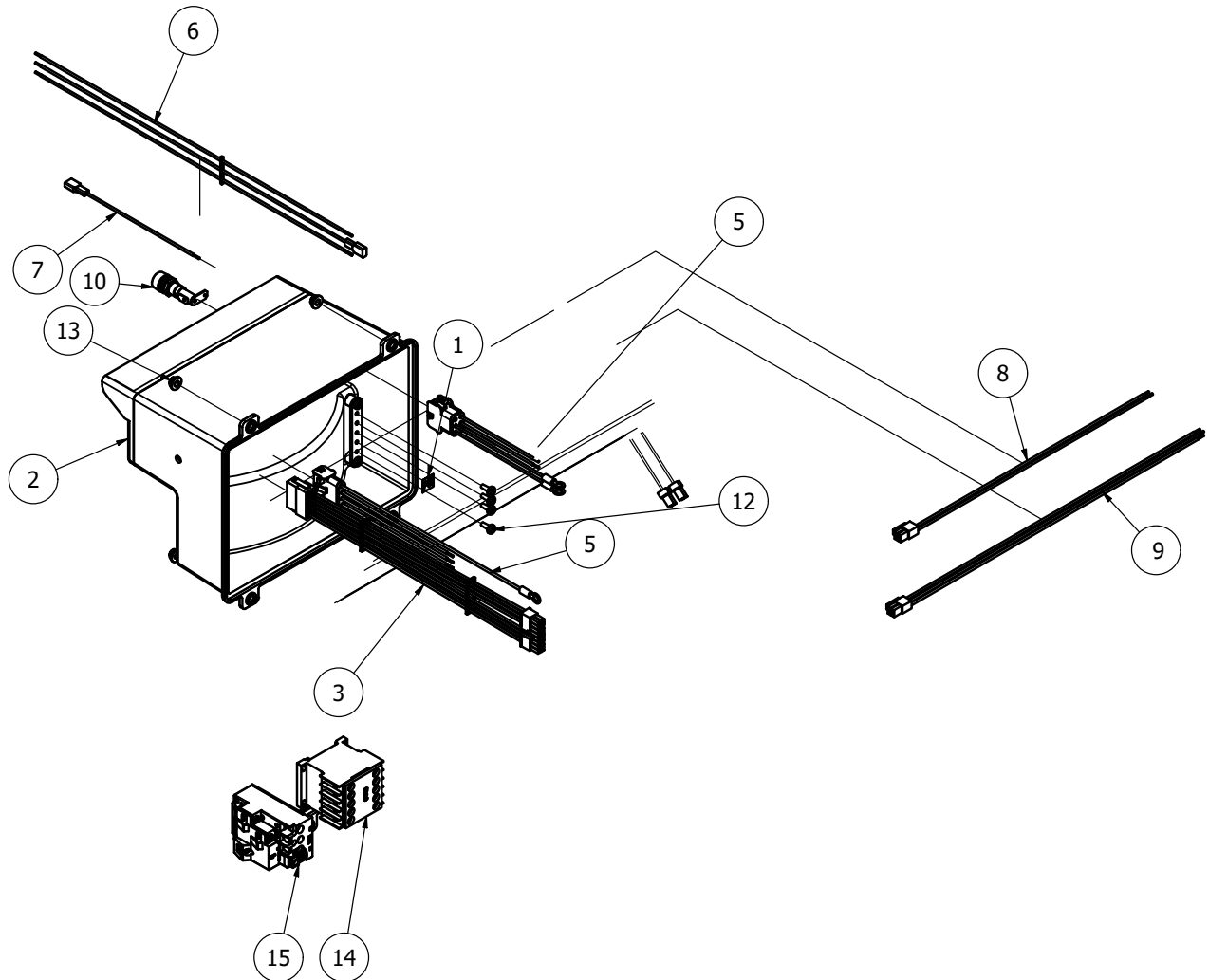
MICROSWITCH COMPONENTS

Item #	Description	Part Number
1.....	Bowl Detection Magnet.....	56CR10-111M
2.....	Screw.....	STA5320
3.....	Lock Nut.....	STA5837
4.....	Screw.....	STA5721



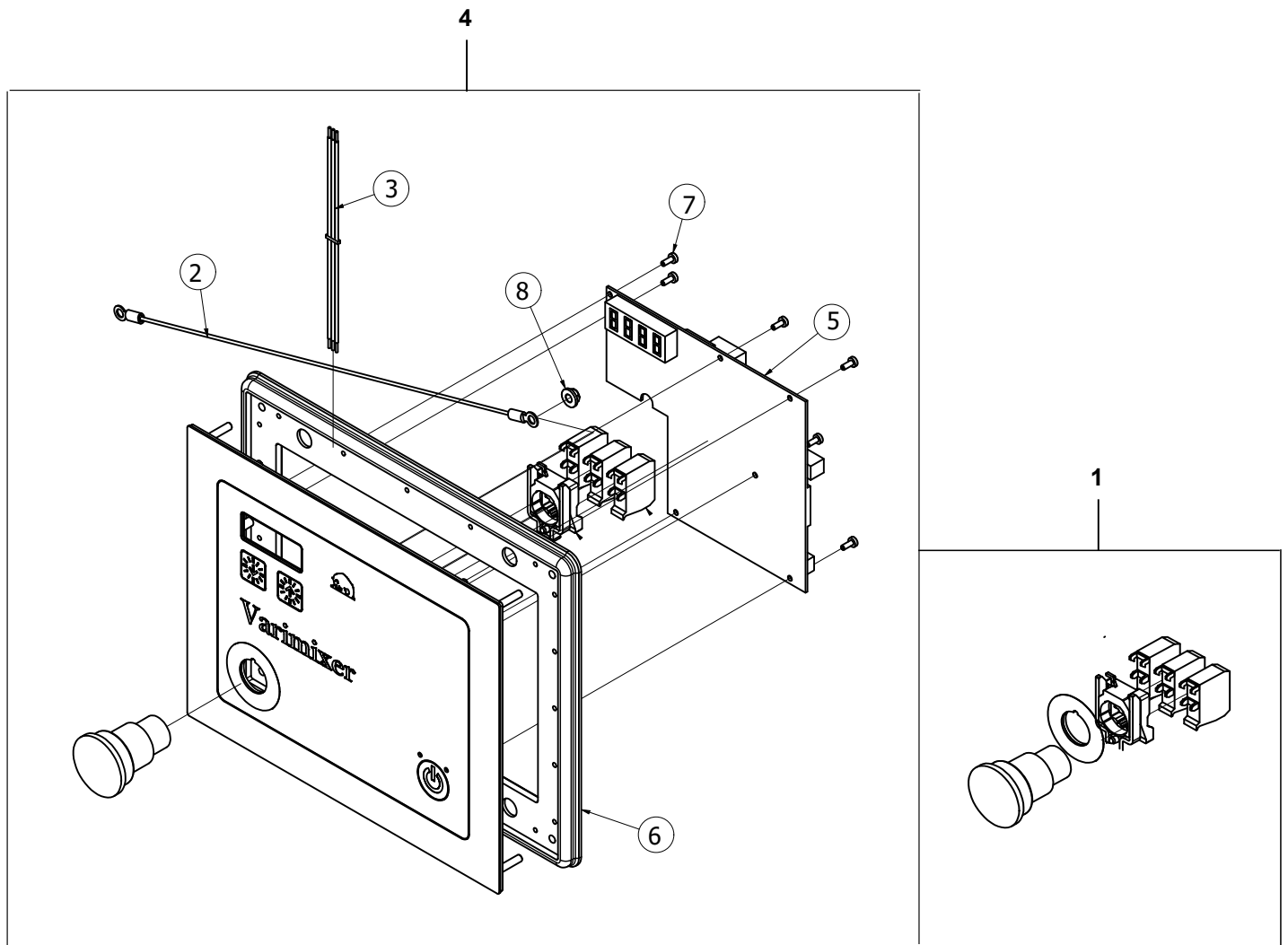
CONTROL BOX COMPONENTS

Item #	Description	Part Number
1.....	Earth Label.....	AR30-453.1
2.....	Enclosure Assembly.....	AR31-152.1M
3.....	Safety Cable.....	AR31-194.18M
4.....	Power Supply Cable.....	AR31-194.54M
5.....	Motor Cable.....	AR31-194.63M
6.....	Fuse Cable.....	AR31-194.80M
7.....	Fuse Cable.....	AR31-194.81M
8.....	Signal Cable.....	AR31-194.84M
9.....	Signal Cable.....	AR31-194.85M
10.....	Fuse Holder & Fuse.....	.08030-0804
11.....	Fuse (Not Shown).....	R20E-418.2
12.....	Screw.....	STA5232
13.....	Flange Nut.....	STA5897
14.....	Contactor V30.....	
14.....	Contactor V40 & V60.....	AR31-88.115
15.....	Relay V30.....	AR31-88.207
15.....	Relay V40-1 & V60-1.....	AR31-88.206
15.....	Relay V40-3 & V60-3.....	AR31-88.205
16.....	Control Panel & Box Kit.....	AR31-530.3M



CONTROL PANEL COMPONENTS

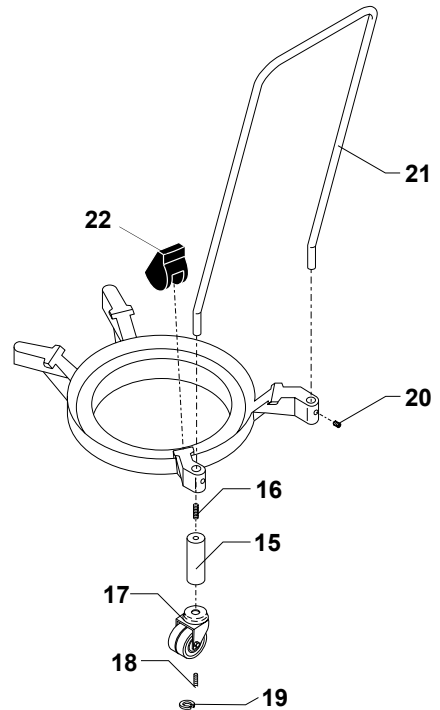
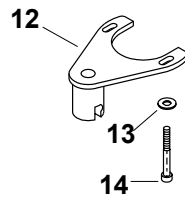
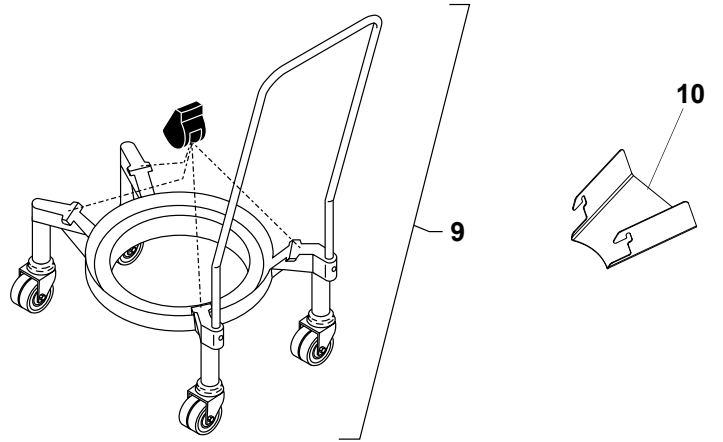
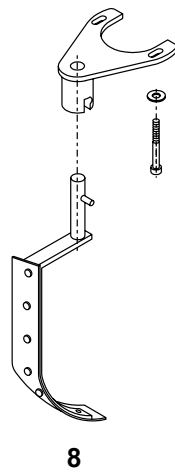
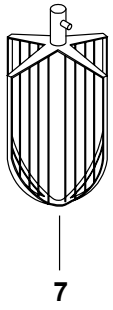
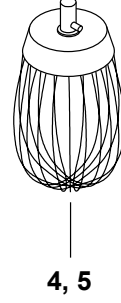
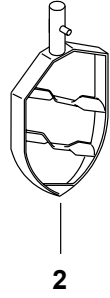
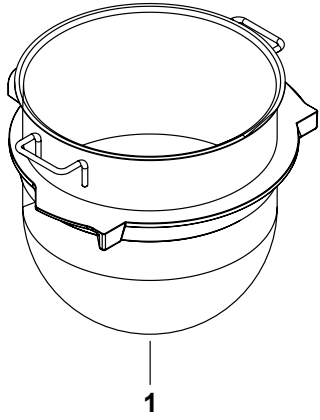
Item #	Description	Part Number
1.....	Emergency Stop Kit.....	AR31-174.5
2.....	Ground Cable.....	AR31-194.41M
3.....	Supply Cable.....	AR31-194.82M
4.....	Control Panel Assembly.....	AR31-530.3Z ***SEE BELOW FOR ENDING SERIAL #***
4.....	Control Panel Assembly.....	AR31-530.21M ***SEE BELOW FOR STARTING SERIAL #
5.....	Control Board.....	AR31-532.10 ***SEE BELOW FOR STARTING SERIAL #***
6.....	Gasket.....	AR31-562
7.....	Screw.....	STA5762
8.....	Flange Nut.....	STA5897



SERIAL # ENDING V30: 30007633, V40: 40008429, V60: 60007225

SERIAL # STARTING V30: 30007634, V40: 40008430, V60: 60007226

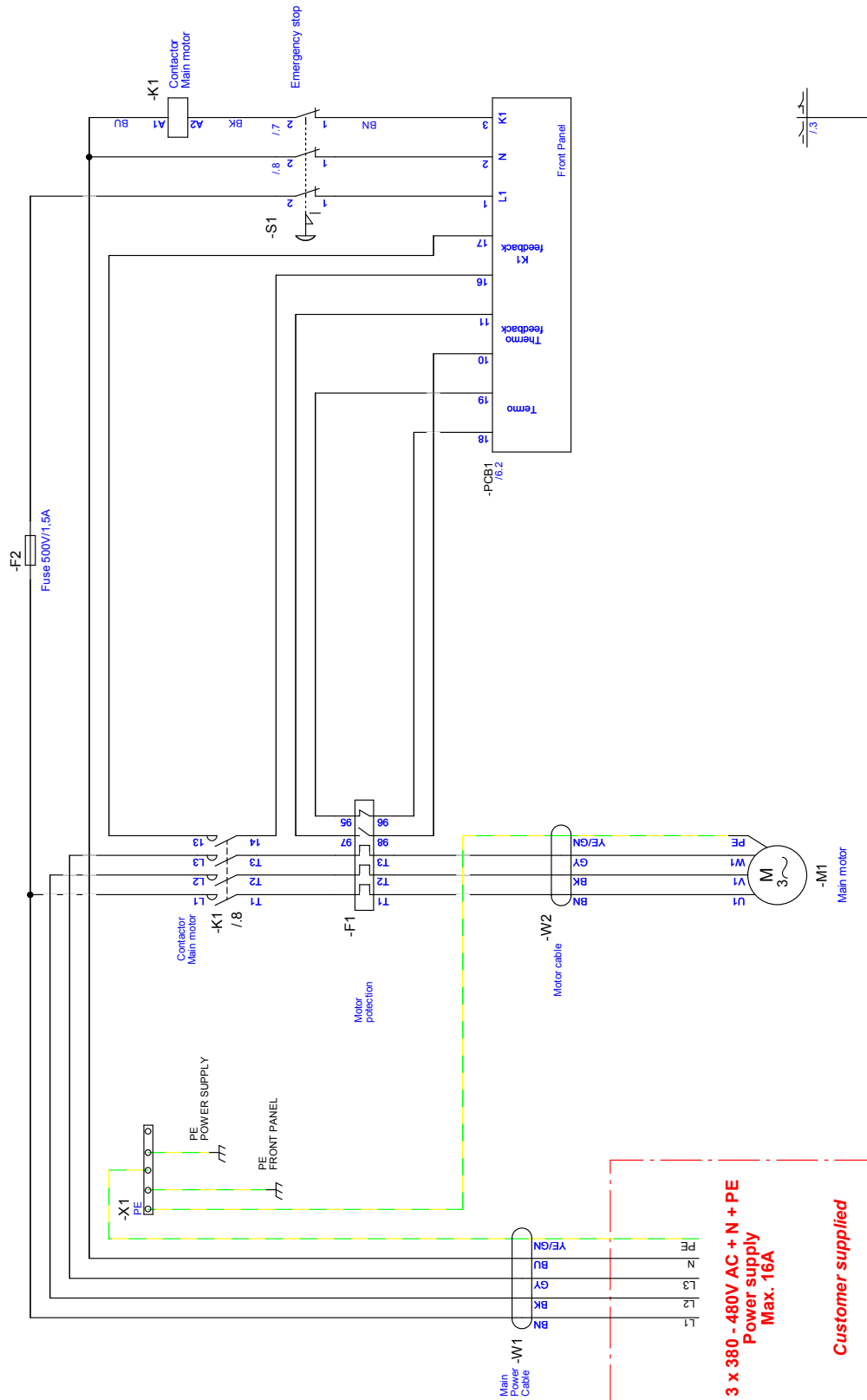
ACCESSORIES & ACCESSORY COMPONENTS



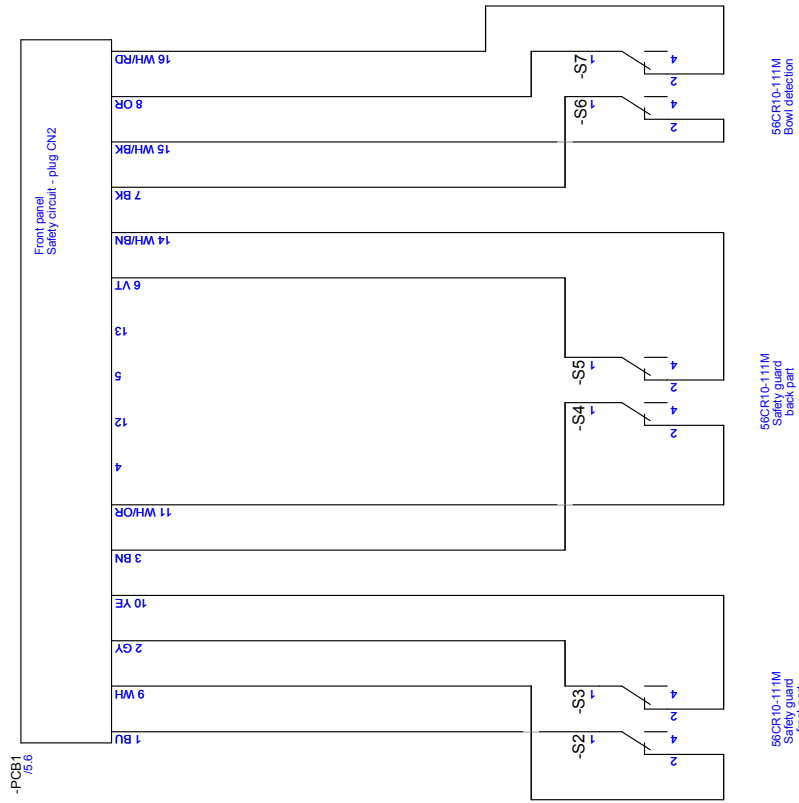
ACCESSORIES & ACCESSORY COMPONENTS

Item #	Description	ACC/Part Number		
		V30	V40	V60
1.....	SS Bowl (W/Magnet).....	VBOWL-30.....	VBOWL-40.....	VBOWL-60
1.....	SS Bowl (W/Magnet-Downsize).....	VBOWL16-30.....	VBOWL20-40.....	VBOWL30-60
2.....	SS Beater.....	VBEAT-30SS.....	VBEAT-40SS.....	VBEAT-60SS
2.....	SS Beater (Downsize).....	VBEAT16-30.....	VBEAT20-40.....	VBEAT30-60
3.....	SS Hook.....	VHOOK-30.....	VHOOK-40.....	VHOOK-60
3.....	SS Hook (Downsize).....	VHOOK16-30.....	VHOOK20-40.....	VHOOK30-60
4.....	SS Wire Whip.....	VWHIP-30.....	VWHIP-40V2.....	VWHIP-60
4.....	SS Wire Whip (Downsize).....	VWHIP16-30.....	VWHIP20-40.....	VWHIP30-60
4.....	SS Heavy Duty Wire Whip.....	VHDWHIP-30.....	VHDWHIP-40.....	N/A
5.....	SS Heavy Duty Wire Whip (Downsize).....	N/A.....	N/A.....	VHDWHIP30-60
6.....	SS Heavy Duty Reinforced Wire Whip.....	N/A.....	N/A.....	VHDWHIP-60
7.....	SS Wing Whip.....	VWINGWHIP-30.....	VWINGWHIP-40.....	VWINGWHIP-60
8.....	SS Bowl Scraper Kit.....	VSCRP-30.....	VSCRP-40.....	VSCRP-60
8.....	SS Bowl Scraper Kit (Downsize).....	VSCRP16-30.....	VSCRP20-40.....	VSCRP30-60
9.....	Bowl Truck.....	VBTRUCK-30.....	VBTRUCK-40.....	VBTRUCK-60
9.....	Bowl Truck (Downsize).....	VBTRUCK16-30.....	VBTRUCK20-40.....	VBTRUCK30-60
10.....	Ingredient Chute.....	VCHUTE.....	VCHUTE.....	VCHUTE
11.....	Scraper Blade.....	42RN30-204.....	42R40-204.....	42R60-204
11.....	Scraper Blade (Downsize).....	42RN20-204.....	42R40A-204.....	42R60A-204
12.....	Scraper Holder.....	42RN30-105.....	42AR41-105.....	42R40-105
13.....	Washer.....	STA6030.....	STA6029.....	STA6029
14.....	Screw.....	STA5363.....	AR40-41.....	STA5652
15.....	Extension.....	22R140.1-1W.....	22R140.8.....	22R140.3
15.....	Extension (Downsize).....	22R140.1-2W.....	22R140.1-9W.....	22R140.1-9W
16.....	Set Screw.....	STA5608.....	STA5608.....	STA5608
17.....	Dual Wheel Caster.....	22R150-520.....	22R150-520.....	22R150-520
18.....	Screw.....	STA5647.....	STA5647.....	STA5647
19.....	Cap.....	STA6556.....	STA6556.....	STA6556
20.....	Set Screw.....	STA5675.....	STA5675.....	STA5675
21.....	Handle.....	22R277.....	22R277.....	22R277
22.....	Rubber Block.....	W30-206.....	W30-206.....	W30-206
23.....	Accessory Tool Rack (Not Shown).....	VTOOLRACK20-40.....	VTOOLRACK20-40.....	VTOOLRACK60-150
24.....	Downsize Adapter Kit (Not Shown) (Incl. Bowl, Beater, Hook, & Whip)	VACC16-30.....	VACC20-40.....	VACC30-60

WIRING DIAGRAM



PRINCIPLE ELECTRICAL DIAGRAM





Varimixer USA
2215 East River Road Moraine, Ohio 45439
P: (800) 222-1138
varimixerusa.com

