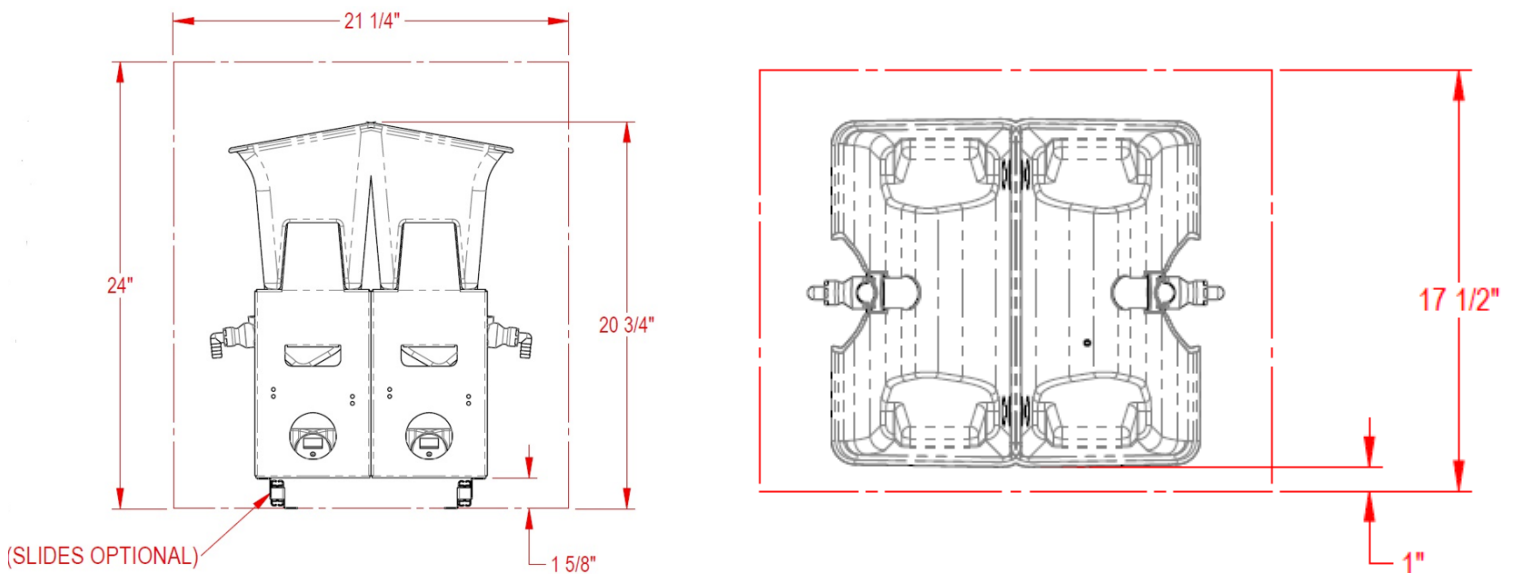
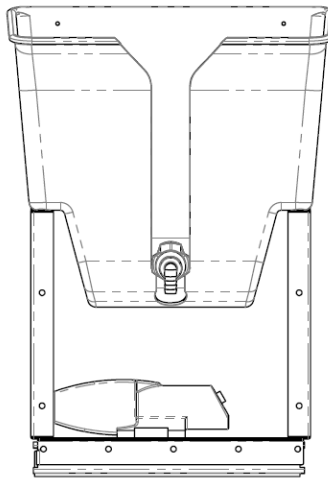


WB-ST-2 Dual Square Tower



CDS-2E Dual Electric Dispensing System