

432

Frozen Beverage Freezer

Two Flavors

Features

Vary your menu by offering shakes and smoothies or frozen cocktails, fruit juices, coffees, cappuccino, and tea slush beverages, all served at the desired thickness.

Freezing Cylinder

Two, 4 quart (3.8 liter).

Mix Hopper

Two, 12 quart (11.4 liter). Refrigerated to maintain mix below 41°F (5°C). Approved for dairy and non-dairy products.

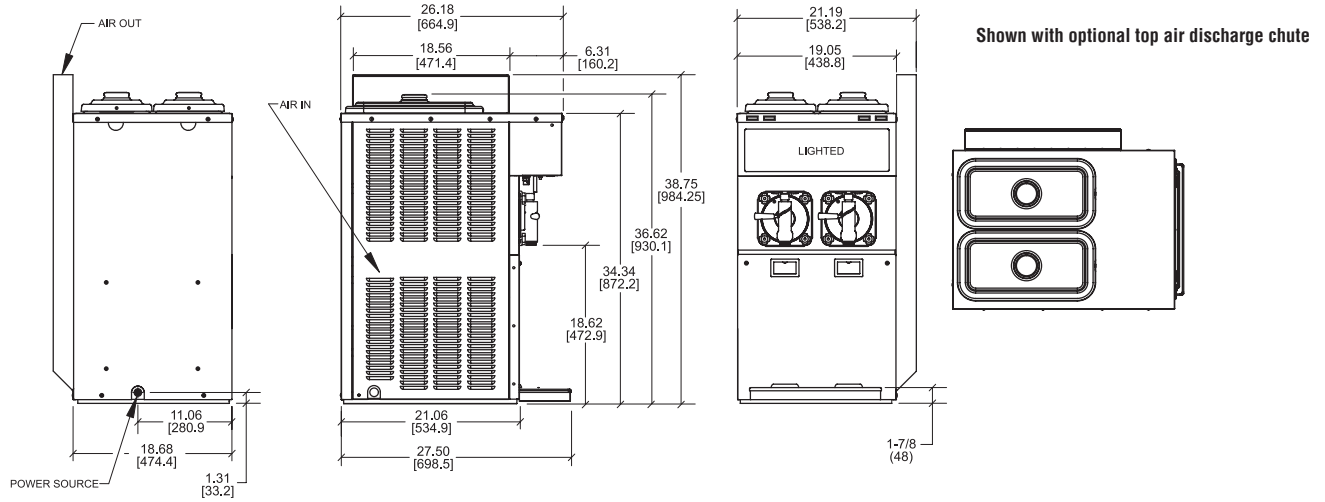
Indicator Lights

Add Mix light alerts the operator to add mix. When the Mix Out light flashes, the unit automatically shuts down to prevent damage.

Automatic Consistency Control

A specially designed viscosity control automatically maintains superior product quality. An adjustable control allows the operator to serve a wide variety of frozen beverages at the desired thickness.





NOTE: FIGURES IN PARENTHESES INDICATE MILLIMETERS. / ALL DIMENSIONS PLUS OR MINUS 1/16 inch [1.5mm].

Weights	lb.	kg
Net	305	138.3
Crated	358	162.4

*For reference only

	cu. ft.	cu. m
Volume	32.7	0.93

Dimensions	in.	mm
Width	19-1/16	484
Depth	27-1/2	699
Height	36-5/8	930
Counter Clearance	*	*

* Designed to rest on a plastic pad directly on countertop or optional cart

Electrical	Maximum	Minimum	Poles (P) Wires
	Fuse Size	Circuit Ampacity	
208-230/60/1 Air	15	14	2P 3W
208-230/60/3 Air	15	12	2P 4W
220-240/50/1 Air	15	13	2P 3W
380-415/50/3N~ Air	9	9	4P 5W

This unit may be manufactured with other electrical characteristics and may have additional regulatory agency approvals. Consult the local Taylor distributor for other electrical characteristics and agency approvals based on specific electrical and country requirements.

(For exact electrical information, approval marks, and refrigerant, always refer to the data label of the unit.)

Continuing research results in steady improvements; therefore, these specifications are subject to change without notice.

Bidding Specs

Electrical: Volt _____ Hz _____ ph _____
Neutral: Yes No Cooling: Air Water NA

Options:

All options may not be available in combination with others or with all electrical or cooling configurations. Please consult your local Taylor distributor.

Authorized Taylor Distributor

Specifications

Electrical

One dedicated electrical connection is required. See the electrical chart for the proper electrical requirements. Manufactured to be permanently connected. Consult your local Taylor distributor for cord and receptacle specifications as local codes allow.

Refrigeration System

One, approximately 7,500 BTU/hr. compressor. R449A. (BTUs may vary depending on compressor used.)

Beater Motor

Two, 1/4 hp.

Air-Cooled

Minimum Clearance: 6 in. (152 mm) on both sides. It is recommended to place the rear of the unit against the wall. Minimum air clearances must be met to ensure adequate airflow for optimum performance.

Options

- Air Discharge Chute - Minimum air clearance 3 in. (7.6 cm) on left side. No clearance required on right side and rear.

Accessories

- Panel Spinner
- C206 Cart with Casters



750 N. Blackhawk Blvd.
Rockton, Illinois 61072
www.taylor-company.com