

**Worktop induction hob - Novy Easy 65 Recirculation  
4-zones 65 cm  
Black**

EAN 5414425258291



**Dimensions (mm)**

Dimensions (WxDxH) (mm)	650 x 520 x 248
Cut-out worktop (WxD)(mm)	560 x 490
Dimensions cut-out with inset (WxDxH) (mm)	654 x 524 x 6

**Cooker hood**

**General information**

Integrated motor	•
Number of metal grease filters	1
Recirculation	•
Dimensions exhaust (mm)	89 x 222
Position exhaust	Back left / Under left

**Functions**

Control	Red slider touch control
Number of speeds	9 + P
Delayed switch off (minutes)	30
Grease filter cleaning indication	•
Recirculation filter replacement indication	•
Watertank(s) for cleaning	•

**Air flow & noise level**

Air flow duct out (m3/u) (EN 61591):	
- Minimum	143
- Maximum continues	480
- Maximum	492
Sound pressure/power duct out setting (dB(A) re 1 pW)(EN 60704-2-13):	
- Minimum	34/46
- Maximum continues	53/66
- Maximum	54/66

# Induction hob

## General characteristics

---

Black opaque glass	•
Bevelled glass edge	•
Surface and flushline mounting	• / •

## Cooking zones

---

<b>Number of cooking zones</b>	4
Front left: dimension (mm) / power (Boost) (W)	210 x 220 / 2100 (3000)
Rear left: dimension (mm) / power (Boost) (W)	210 x 220 / 2100 (3000)
Front right: dimension (mm) / power (Boost) (W)	Ø 175 / 1400 (2100)
Rear right: dimension (mm) / power (Boost) (W)	Ø 175 / 1400 (2100)

## Cooking functions

---

Control	Red slider touch control
Power levels	9 + Power
Timer per zone	•
Minute minder	•
Stop&Go	•
Keep warm function	70°
Bridge function flexzones	• (1x)
Residual heat indication	•
Automatic cooking	•
Child lock function	•
Automatic pan recognition	•
Grill function	•

## Technical specifications

---

Electrical connection value (W)	7568 W
Multiphase supply voltage	230 V / 400 V - 1N / 2N
Single-phase supply voltage	230 V
Power cable (included)	1,5 m
Weight (kg)	15,9

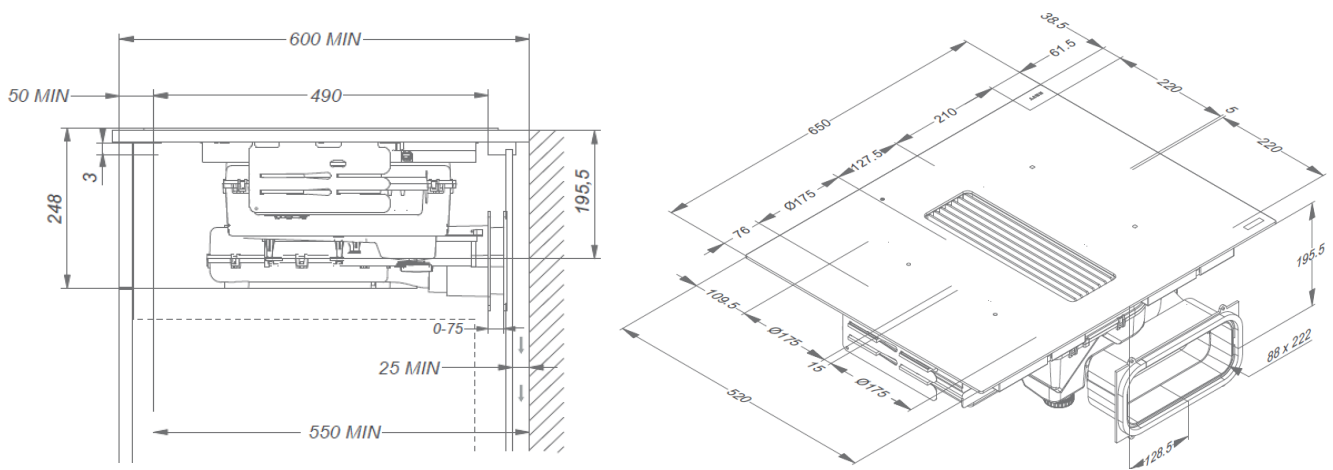
## Accessories

### Accessories

---

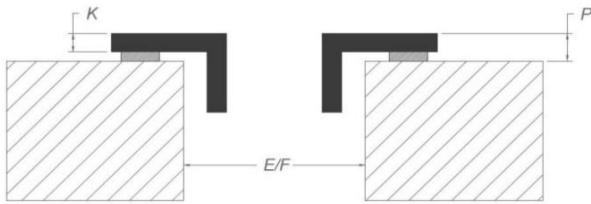
Connection adapter back panel	Supplied with appliance
-------------------------------	-------------------------

## Dimensions

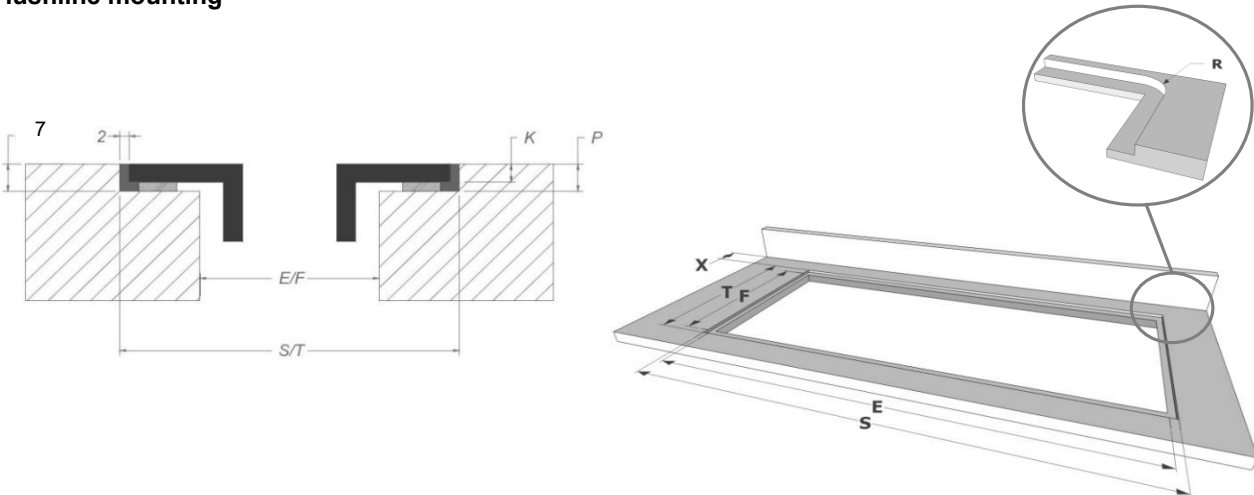


\*When installing directly against an uninsulated outside wall, we recommend using an installation kit with air outlet in the plinth.

## Surface mounting



## Flushline mounting



## Dimensions

mm

	E	F	K	P	R	S	T	X
Surface	560	490	4	6				55 min
Flushmount	560	490	4	6	7	654	524	55 min