

**Ceiling unit**  
**Novy Cloud 110 cm**  
**Mineral Black**

EAN 5414425204106



**Functions & features**

▪ Motor	Integrated
▪ Sound absorber	Integrated
▪ Recirculation	Standard, Monoblock
▪ InTouch function	Standard
▪ Auto stop	▪
▪ Delayed switch off (minutes)	30
▪ Grease filter	230020
▪ Number of grease filters	2
▪ Grease filter cleaning indication	▪
▪ Recirculation filter cleaning indication	▪
▪ Control method	Remote control
▪ Novy Connect	Standard
▪ Number of speeds	4

**Dimensions**

▪ Product dimensions (WxDxH) (mm)	1100 x 600 x 176
▪ Dimensions cut-out opening (WxD) (mm)	x
▪ Advised mounting height induction hobs (Hmin-Hmax) (mm)	600 - 1600
▪ Advised mounting height gas hobs (Hmin-Hmax) (mm)	650 - 1600
▪ Advised mounting height ceramic hobs (Hmin-Hmax) (mm)	600 - 1600
▪ Position exhaust	Right, Left

**Lighting**

▪ Functional lighting type	Led strip
▪ Functional light dimmable	▪
▪ Soft-ON/OFF	▪
▪ Number of functional lights	1
▪ Total energy consumption functional light (W)	28
▪ Color functional light (K)	2700-5000
▪ Ambient lighting type	Led strip
▪ Number of ambient lights	1
▪ Total energy consumption ambient light (W)	28
▪ Color ambient light (K)	2700-5000

**Airflow and noise level**

▪ Free airflow (m³/h)	1010
▪ Airflow (m³/h) measured according to EN 61591	
▪ Sound regulation according to EN 60704-2-13	
▪ Airflow duct out speed 1 (m³/h)	187
▪ Airflow duct out speed 2 (m³/h)	272
▪ Airflow duct out speed 3 (m³/h)	343
▪ Airflow duct out speed 4 (m³/h)	504

### Airflow and noise level

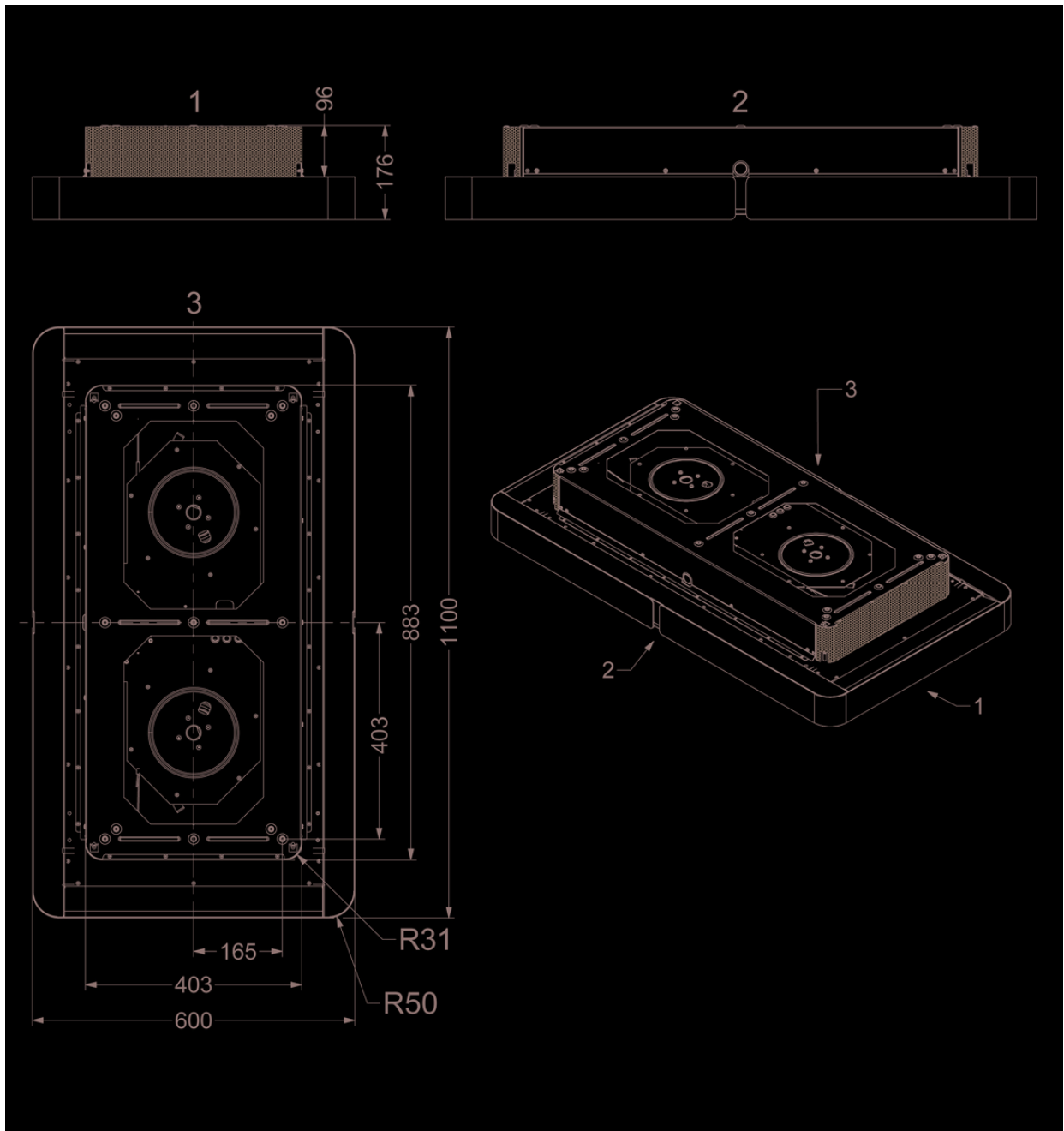
---

- Sound pressure duct out speed 1 (dB(A)) / Sound power duct out speed 1 (dB(A)) 37 / 49
- Sound pressure duct out speed 2 (dB(A)) / Sound power duct out speed 2 (dB(A)) 42 / 54
- Sound pressure duct out speed 3 (dB(A)) / Sound power duct out speed 3 (dB(A)) 48 / 60
- Sound pressure duct out speed 4 (dB(A)) / Sound power duct out speed 4 (dB(A)) 56 / 68

### Technical specifications

---

- |                                 |       |
|---------------------------------|-------|
| ▪ Maximum power (W)             | 174.5 |
| ▪ Voltage cooker hood (V)       | 230   |
| ▪ Frequency (Hz)                | 50    |
| ▪ Net weight (kg)               | 36    |
| ▪ Length power supply cable (m) | 0,55  |



**Installation accessories**

---

**Additional accessories**

- 230510

Mounting frame white ceiling cooker hood Cloud