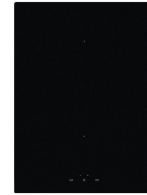


Induction - Domino
2 zones 38 cm
Glass

EAN 5414425213009



Cooking Zones

- 2 zones
- Front : 1100/1400 W - 175 mm
- Rear : 2300/3000 W - 210 mm

Functions & features

- | | |
|-----------------------------|-------------------------------|
| ▪ Grill function | - |
| ▪ Chef function | - |
| ▪ Pot move function | - |
| ▪ Automatic pan recognition | - |
| ▪ Residual heat indication | ▪ |
| ▪ Wipeguard function | - |
| ▪ Childproof lock | ▪ |
| ▪ Pause function | - |
| ▪ Timers | Minute minder, Timer per Zone |

Design

- | | |
|----------------------|--------------------|
| ▪ Control method | Touch control |
| ▪ Info display color | Red |
| ▪ Glass edge | Bevelled |
| ▪ Mounting method | Surface, Flushline |

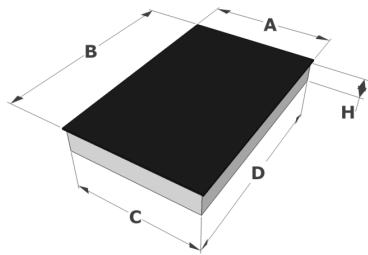
Dimensions

- | | |
|-----------------------------------|----------------|
| ▪ Product dimensions (WxDxH) (mm) | 380 x 520 x 61 |
| ▪ Cut-out worktop (WxD) (mm) | 350 x 490 |

Technical specifications

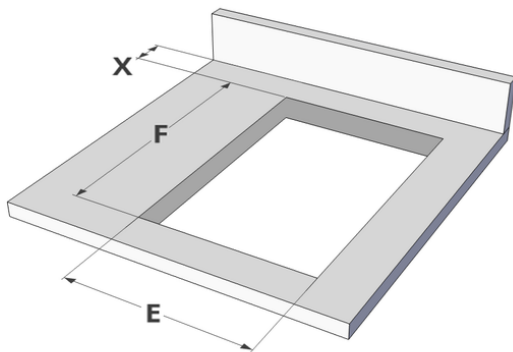
- | | |
|-------------------------|------------------------------|
| ▪ Maximum power | 3700 |
| ▪ Electrical connection | 220-240V 1L+N
220-240V 2L |
| ▪ Frequency (Hz) | 50-60 |

Dimensions



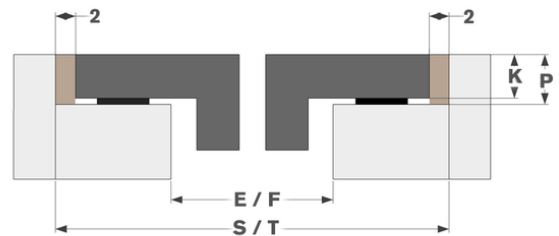
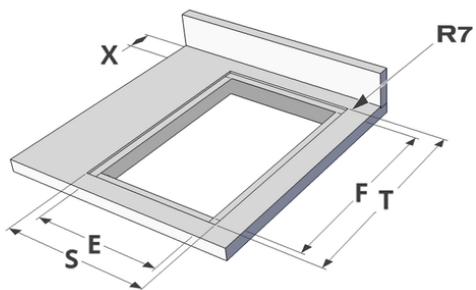
	A	B	C	D	H
mm	380	520	273	486	61

Surface



	E	F	K	P	X
mm	350	490	4	6	50

Flushline



	E	F	S	T	K	P	X
mm	350	490	384	524	4	6	50