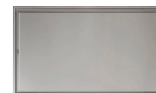


Ceiling unit
Novy Pureline 90 cm (without motor)
Stainless steel



EAN 5414425116560

Functions & features

▪ Motor	Without
▪ Sound absorber	Integrated
▪ InTouch function	Standard
▪ Auto stop	▪
▪ Delayed switch off (minutes)	10/30
▪ Grease filter	6830020
▪ Number of grease filters	2
▪ Grease filter cleaning indication	▪
▪ Recirculation filter cleaning indication	-
▪ Control method	Push buttons + Remote control
▪ Number of speeds	3 + power
▪ Automatic Power revert (minutes)	6

Dimensions

▪ Product dimensions (WxDxH) (mm)	868 x 508 x 81
▪ Height incl. mounting clamps (without motorbox) (mm)	133
▪ Width flange (mm)	15
▪ Dimensions cut-out opening (WxD) (mm)	845 x 485
▪ Advised mounting height induction hobs (Hmin-Hmax) (mm)	600 - 1600
▪ Advised mounting height gas hobs (Hmin-Hmax) (mm)	650 - 1600
▪ Advised mounting height ceramic hobs (Hmin-Hmax) (mm)	600 - 1600
▪ Diameter outlet (mm)	150
▪ Position exhaust	Top

Lighting

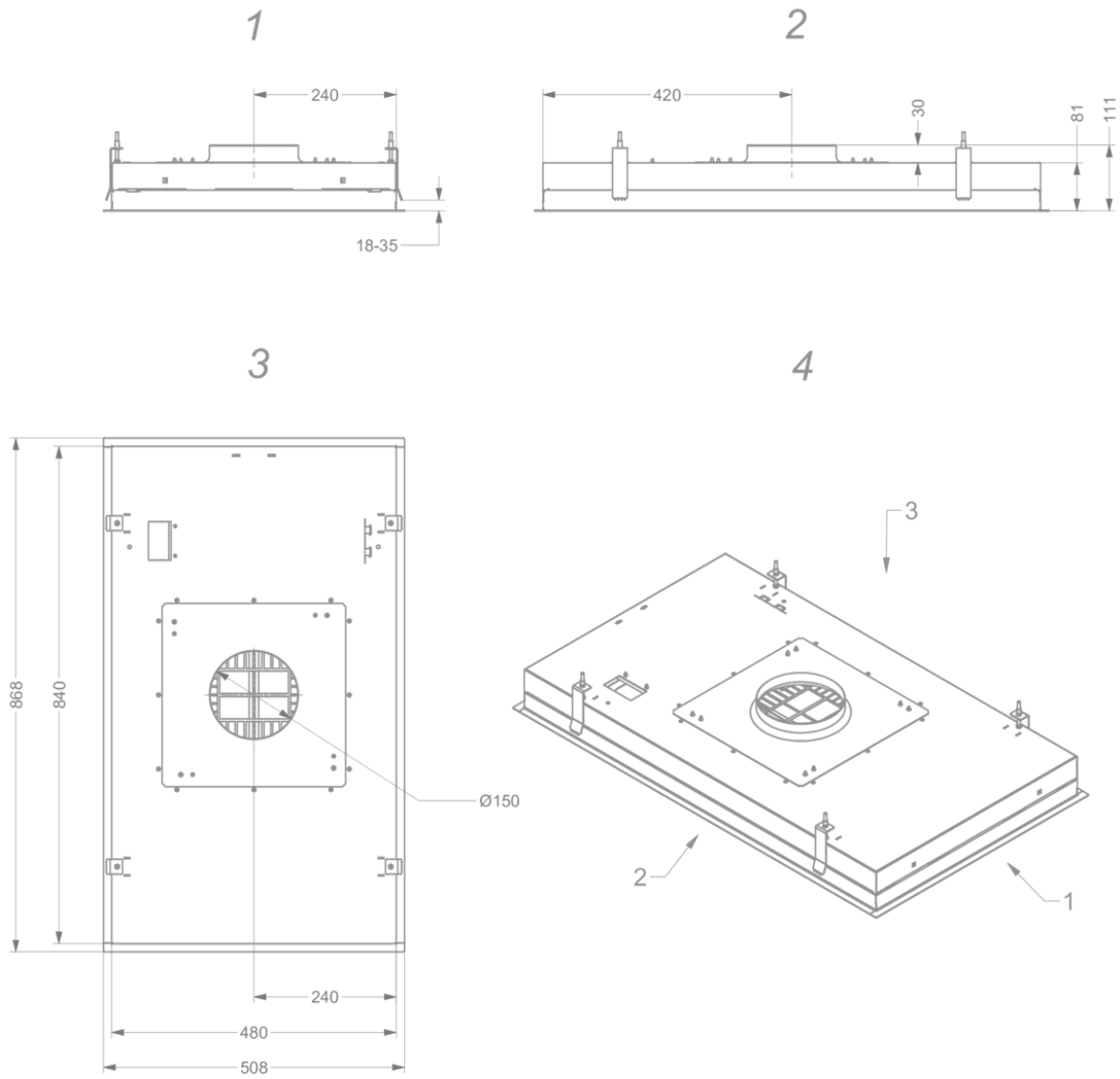
▪ Functional light dimmable	-
▪ Soft-ON/OFF	-
▪ External light connector	220-230V / max 300W / Not Dimmable

Airflow and noise level

- Airflow (m³/h) measured according to
- Sound regulation according to

Technical specifications

▪ Voltage appliance (V)	220-240
▪ Frequency (Hz)	50-60
▪ Power consumption in stand-by-mode (Ps) (W)	0.29
▪ Net weight (kg)	17
▪ Length power supply cable (m)	1,2



Installation accessories

Dissociated motor

- 445999 Wall motor
- 745999 Flat roof motor 48,8 cm high
- 755999 Flat roof motor 78,4 cm high

Extension cable

- 700092 Extension cable for remote motor - 5 m

Accessories

Adapter for limited installation height



6830053

Adapter limited installation height for Novy Pureline (Pro)

Control kit



990030

Kit connection with external cover and/or lighting