

**Wall mounted
Flatline 90 cm (without motor)
Stainless steel**



EAN 5414425076055

Functions & features

▪ Motor	Without
▪ Sound absorber	Integrated
▪ InTouch function	Optional
▪ Auto stop	▪
▪ Delayed switch off (minutes)	10
▪ Grease filter	7530020
▪ Number of grease filters	1
▪ Grease filter cleaning indication	▪
▪ Recirculation filter cleaning indication	-
▪ Control method	Push buttons
▪ Number of speeds	3 + power
▪ Automatic Power revert (minutes)	6

Dimensions

▪ Product dimensions exhaust (WxDxHmin-Hmax) (mm)	898 x 554 x 660 - 1050
▪ Product dimensions recirculation (WxDxHmin-Hmax) (mm)	898 x 554 x -
▪ Max height optional chimney exhaust (mm)	1410
▪ Advised mounting height induction hobs (Hmin-Hmax) (mm)	650 - 750
▪ Advised mounting height gas hobs (Hmin-Hmax) (mm)	650 - 750
▪ Advised mounting height ceramic hobs (Hmin-Hmax) (mm)	600 - 750
▪ Diameter outlet (mm)	150
▪ Position exhaust	Top

Lighting

▪ Functional lighting type	LED
▪ Functional light dimmable	▪
▪ Soft-ON/OFF	▪
▪ Number of functional lights	4
▪ Total energy consumption functional light (W)	12
▪ Color functional light (K)	2700

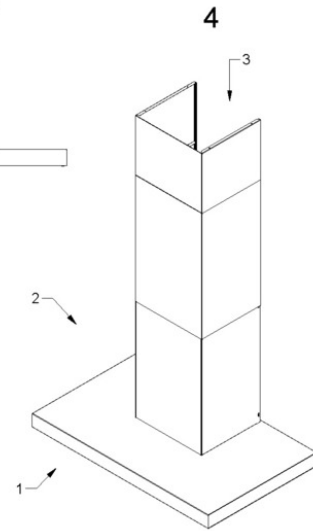
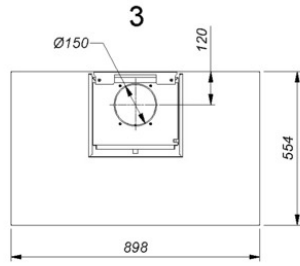
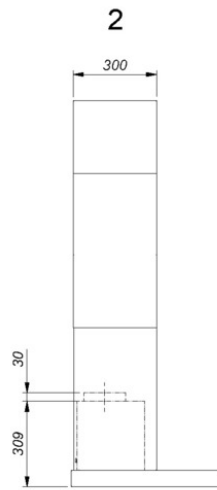
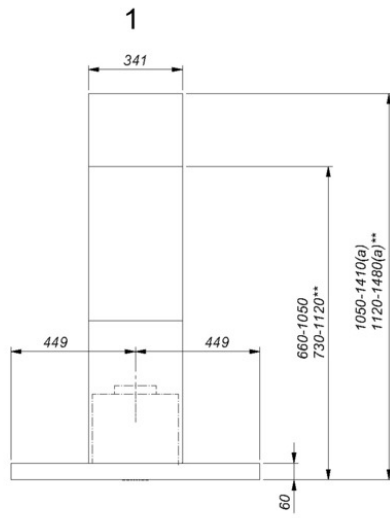
Airflow and noise level

- Airflow (m³/h) measured according to
- Sound regulation according to

Technical specifications

▪ Maximum power (W)	12
▪ Voltage appliance (V)	230
▪ Frequency (Hz)	50
▪ Power consumption in stand-by-mode (Ps) (W)	0.25
▪ Net weight (kg)	27,8
▪ Length power supply cable (m)	1,3

7605



Installation accessories

Dissociated motor

- 245999 Remote motor for installation inside
- 445999 Wall motor
- 745999 Flat roof motor 48,8 cm high
- 755999 Flat roof motor 78,4 cm high

Extension cable

- 700092 Extension cable for remote motor - 5 m

Back panel & chimney extensions

- 7600100 Chimney extension Novy Flatline

Additional accessories

- 840029 Remote control (optional)

Accessories

Control kit



990030

Kit connection with external cover and/or lighting