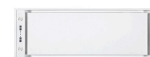


Canopy
Mini Pureline 90 cm
White



EAN 5414425008216

Energy label

| | |
|--|------|
| ▪ Energy Efficiency class (EEIhood) | A+ |
| ▪ Annual Energy Consumption (kWh/year) (AEChood) | 33,8 |
| ▪ Fluid Dynamic Efficiency class (FDEhood) | A |
| ▪ Lighting Efficiency class (LEhood) | A |
| ▪ Grease Filtering Efficiency class (GFEhood) | D |

Functions & features

| | |
|--|-------------------------------|
| ▪ Motor | Integrated |
| ▪ Sound absorber | Integrated |
| ▪ Recirculation | Optional |
| ▪ InTouch function | Standard |
| ▪ Auto stop | ▪ |
| ▪ Delayed switch off (minutes) | 10 |
| ▪ Grease filter | 7400020 |
| ▪ Number of grease filters | 1 |
| ▪ Grease filter cleaning indication | ▪ |
| ▪ Recirculation filter cleaning indication | ▪ |
| ▪ Control method | Push buttons + Remote control |
| ▪ Number of speeds | 3 + power |
| ▪ Automatic Power revert (minutes) | 6 |

Dimensions

| | |
|---|-------------------------------|
| ▪ Product dimensions (WxDxH) (mm) | 860 x 301 x 330 |
| ▪ Width flange (mm) | 10 |
| ▪ Dimensions cut-out opening (WxD) (mm) | 845 x 286 |
| ▪ Min dimensions cabinet (WxDxH) (mm) | x 600 x |
| ▪ Advised mounting height induction hobs (Hmin-Hmax) (mm) | 650 - 850 |
| ▪ Advised mounting height gas hobs (Hmin-Hmax) (mm) | 650 - 850 |
| ▪ Advised mounting height ceramic hobs (Hmin-Hmax) (mm) | 600 - 850 |
| ▪ Diameter outlet (mm) | 150 |
| ▪ Position exhaust | Right, Top, Left, Back, Front |

Lighting

| | |
|---|-----------|
| ▪ Functional lighting type | LED |
| ▪ Functional light dimmable | ▪ |
| ▪ Soft-ON/OFF | ▪ |
| ▪ Number of functional lights | 4 |
| ▪ Total energy consumption functional light (W) | 8 |
| ▪ Color functional light (K) | 2700/4000 |

Airflow and noise level

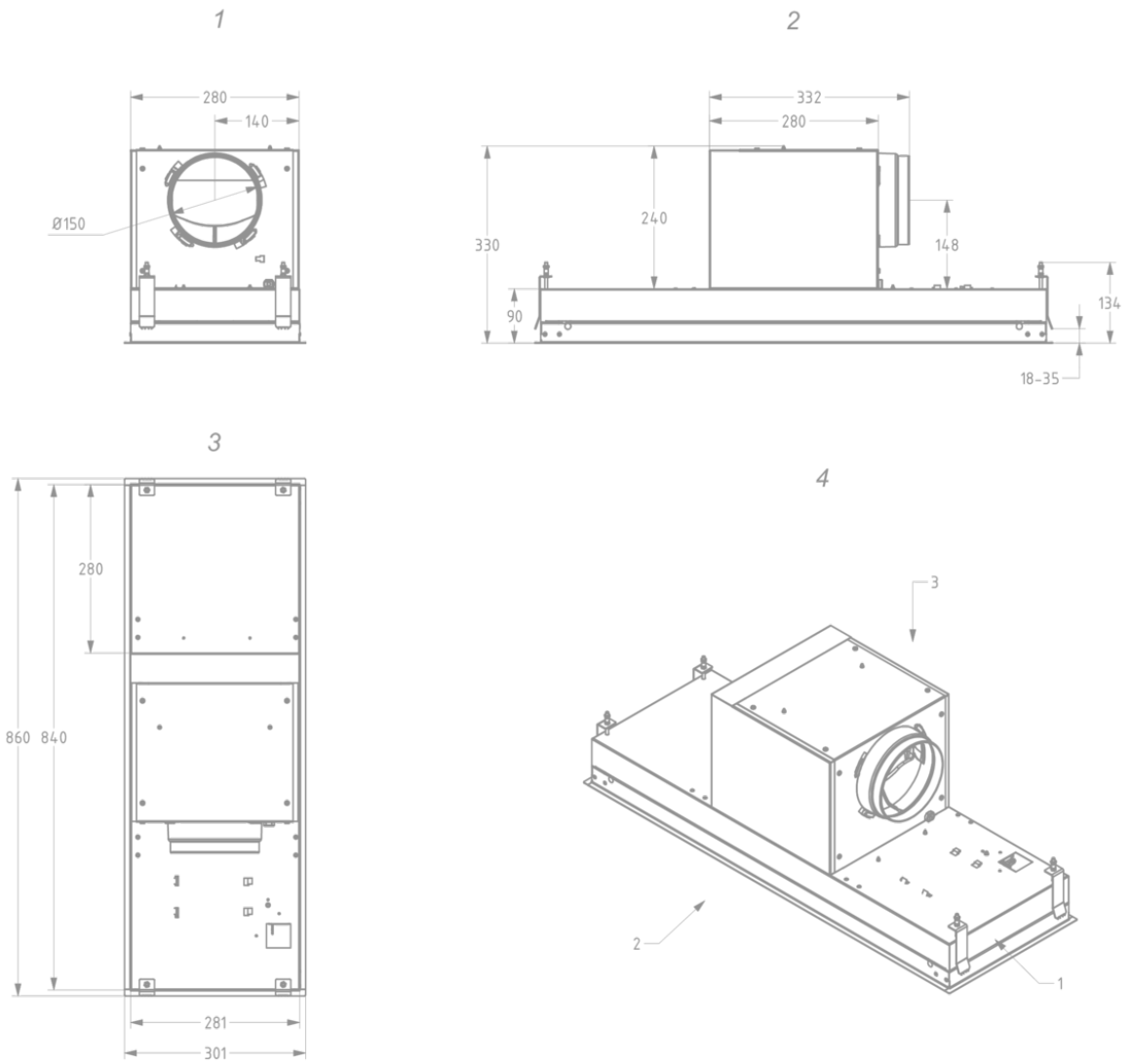
| | |
|-----------------------|-----|
| ▪ Free airflow (m³/h) | 815 |
|-----------------------|-----|

Airflow and noise level

- Airflow (m³/h) measured according to EN 61591
- Sound regulation according to EN 60704-2-13
- Airflow duct out speed 1 (m³/h) / Max pressure duct out speed 1 (Pa) 237 / 79
- Airflow duct out speed 2 (m³/h) / Max pressure duct out speed 2 (Pa) 379 / 225
- Airflow duct out speed 3 (m³/h) / Max pressure duct out speed 3 (Pa) 451 / 329
- Airflow duct out max powerspeed (m³/h) (Qboost) / Max pressure duct out max powerspeed (Pa) 601 / 372
- Sound pressure duct out speed 1 (dB(A)) / Sound power duct out speed 1 (dB(A)) 26 / 37
- Sound pressure duct out speed 2 (dB(A)) / Sound power duct out speed 2 (dB(A)) 36 / 48
- Sound pressure duct out speed 3 (dB(A)) / Sound power duct out speed 3 (dB(A)) 40 / 52
- Sound pressure duct out at max powerspeed (dB(A)) / Sound power duct out at max powerspeed (dB(A)) (LWAboost) 47 / 59

Technical specifications

- | | |
|---|---------|
| ▪ Maximum power (W) | 121 |
| ▪ Voltage appliance (V) | 220-240 |
| ▪ Frequency (Hz) | 50-60 |
| ▪ Power consumption in stand-by-mode (Ps) (W) | 0.25 |
| ▪ Net weight (kg) | 11,9 |
| ▪ Length power supply cable (m) | 1,3 |



Installation accessories

Dissociated motor

- 800996

Kit to install remote motor Novy Mini Pureline

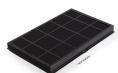
Extension cable

- 7000094

Extension cable for remote motor - 5 m

Accessories

Recirculation kit



820400

Recirculation set Novy Mini Pureline 820, 821, 826

Recirculation box



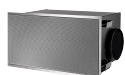
841400

Exhaust box with monoblock filter



842400

Exhaust box with monoblock filter



843400

Exhaust box with monoblock filter



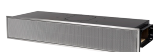
7931400

Exhaust box with monoblock filter



7932400

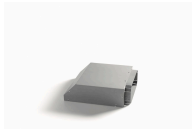
Exhaust box with monoblock filter



7933400

Recirculation box with monoblock filter

Accessories

Adapter for limited installation height

830053

Adapter limited installation height Mini/Maxi Pureline

Control kit

990030

Kit connection with external cover and/or lighting

