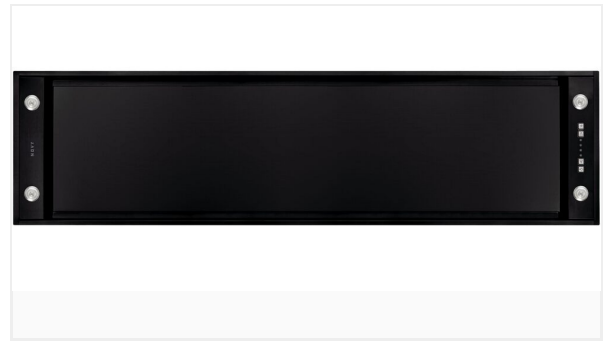


**Novy Mini Pureline 120 cm
Mineral Black**

EAN 5414425273454



Energy Label

| | |
|---|----|
| Energy efficiency class (EEIhood) | A+ |
| Annual Energy Consumption (AEChood) | 34 |
| Fluid dynamic efficiency class (FDEhood) | A |
| Lighting efficiency class (LEhood) | A |
| Grease filtering efficiency class (GFEhood) | E |

Functions and features

| | |
|--|------------------------------|
| Fan Motor Location | Integrated |
| Sound absorber | Integrated |
| Recirculation | Optional |
| InTouch function | Standard |
| Auto stop | ● |
| Delayed switch off | ● |
| Grease filter | 7400020 |
| Number of Grease Filters | 1 |
| Grease filter cleaning indication | ● |
| Recirculation filter cleaning indication | ● |
| Control method | Remote control, Push buttons |
| Number of Fan Speeds | 3 + power |
| Automatic Power revert (minutes) | 6 m |

Dimensions

| | |
|---|---|
| Product Dimensions (WxDxH) (mm) | 1160 Millimeter X 301 Millimeter X 330 Millimeter |
| Width flange (mm) | 10 |
| Dimensions cut-out opening (WxD) (mm) | 1145 x 286 |
| Advised mounting height induction hobs (Hmin-Hmax) (mm) | 650 - 950 |
| Advised mounting height gas hobs (Hmin-Hmax) (mm) | 650 - 950 |
| Advised mounting height above ceramic hobs (Hmin-Hmax) (mm) | 600 - 950 |
| Diameter duct | 150 mm |
| Position exhaust (to be delete) | Top, right, left, front, back |

Lighting

| | |
|---|-----------|
| Functional Lighting Type | LED |
| Functional light dimmable | ● |
| Soft-ON/OFF | ● |
| Number of Functional Lights | 4 |
| Total energy consumption functional light (W) | 8 W |
| Color functional light (K) | 2700/4000 |

Airflow and noise levels

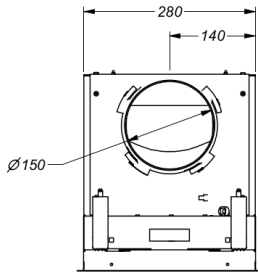
| | |
|--|--------------------------|
| Free airflow (m ³ /h) | 815 m ³ /h |
| Airflow duct out speed 1 (m ³ /h) | 245,40 m ³ /h |
| Airflow duct out speed 2 (m ³ /h) | 388,50 m ³ /h |
| Airflow duct out speed 3 (m ³ /h) | 464,80 m ³ /h |
| Airflow duct out max powerspeed (m ³ /h) (Qboost) | 614,90 m ³ /h |
| Max pressure duct out at minimum speed | 82 Pa |
| Max pressure duct out at max continuous speed | 324 Pa |
| Sound pressure duct out speed 1 | 27 dBA |
| Sound pressure duct out speed 2 | 37 dBA |
| Sound pressure duct out speed 3 | 41 dBA |
| Sound power duct out speed 1 | 39 dBA |
| Sound power duct out speed 2 | 49 dBA |
| Sound power duct out speed 3 | 53 dBA |

Technical specifications

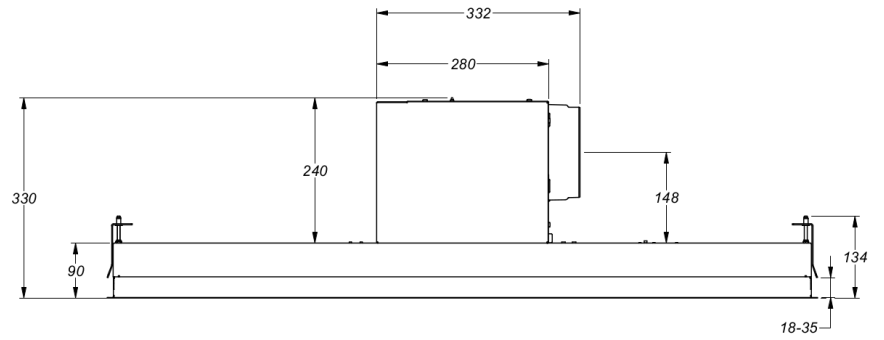
| | |
|---|-------------|
| Electrical Total Wattage | 121 W |
| Electrical Volts | 220-240V |
| Electrical frequency | 50-60 Hertz |
| Power consumption in stand-by-mode (Ps) (W) | 0,35 W |
| Product Weight (kg) | 13 kg |
| Length power supply cable | 1,30 m |

Dimensions

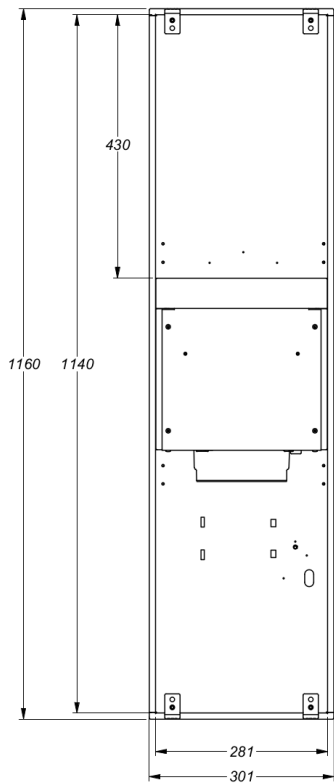
1



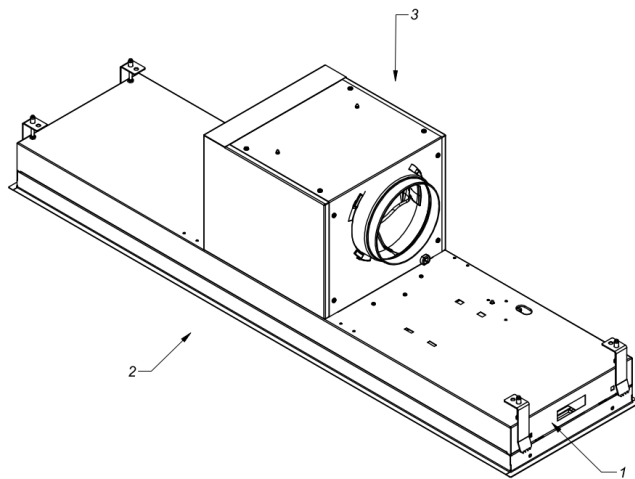
2



3



4



Accessories



700094

Extension cable for remote motor - 5 m



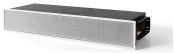
730055

Monoblock replacement filter



790055

Monoblock replacement filter



7931400

Exhaust box with monoblock filter



7932400

Recirculation box black with monoblock, H140 mm



7933400

Recirculation box with monoblock filter