

# Single door upright

ice storage bins



model# 2415 shown



---

## Features

Two capacities available: 2,180 lb (989 kg) or 2,725 lb (1,236 kg)

### Convenient design

- large opening for scoop dispensing
- spring loaded door hinge
- transparent view windows
- adjustable feet provide stability

### Fresher ice

- first ice in is first ice out

### Ice compatibility

- compatible with cube ice, flake ice and customer preferred Chewblet® ice

### Durable construction

- full stainless steel – front, back, sides, bottom and liner
- 1.50" (3.81 cm) foamed in-place polyurethane insulation keeps ice colder for longer
- factory installed 1" NPS stainless steel drain
- stainless steel baffle prevents ice overflow

### Assembly required

- snout (tool-free)
- 6.00" (15.24 cm) legs with an adjustable hex toe, allowing up to 1.00" (2.54 cm) adjustment for leveling

### Warranty

- 1 year parts and labor
- 3rd party ice machines must be installed and operated in accordance with the manufacturer's instructions
- visit [kloppenberg.com](http://kloppenberg.com) for complete warranty details

Certifications (applied to all models unless otherwise noted)



---

## Options and accessories<sup>1</sup>

- Stainless steel liner
- Fully welded stainless steel line (coved corners)
- Flanged feet
- Ice shovel (item# 4030063)
- Ice scoop (item# 4030062)
- 48" (121.9 cm) ice paddle (item# 4030060)
- 60" (152.4 cm) ice paddle (item# 4030061)
- Ice cart, 250 lb (114.0 kg) capacity (item# PCC-250)
- Cart totes, set of 6 (item# 4030064)

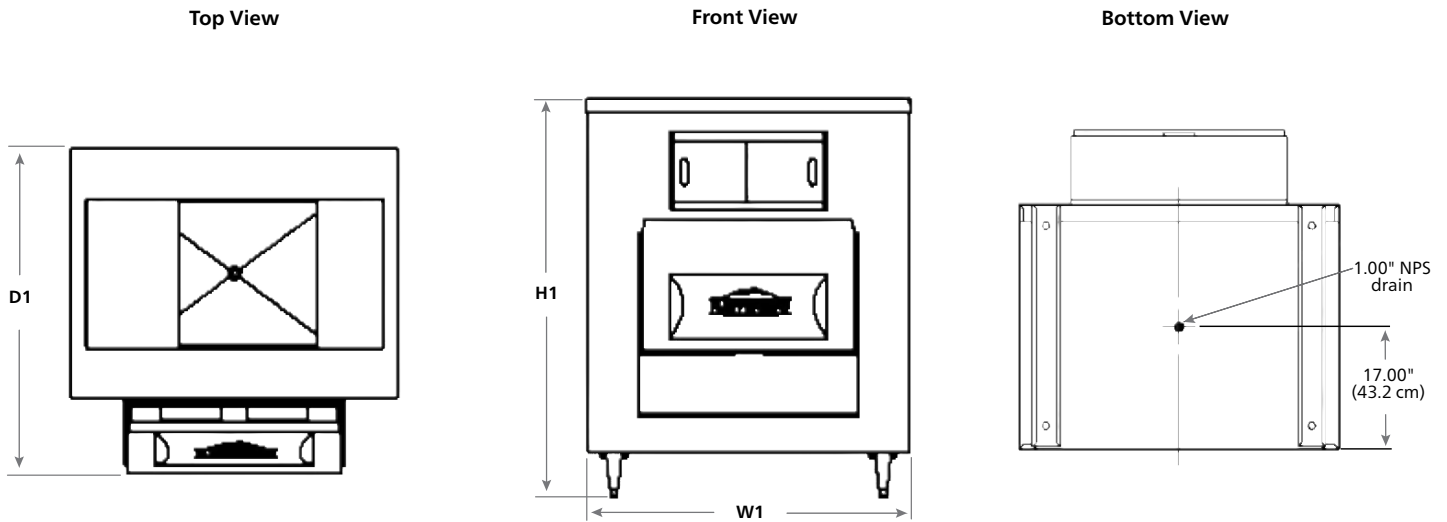
2627 W Oxford Ave, Englewood, CO 80110, USA  
1.800.346.3246 | 1.303.761.1615 | [kloppenberg.com](http://kloppenberg.com)

801 Church Lane | Easton, PA 18040, USA  
1.800.523.9361 | Fax: +1.610.250.0696 | [follettice.com](http://follettice.com)

**FOLLETT**®

<sup>1</sup> Certifications do not apply to options and accessories.

# Dimensional drawing



| Model | Maximum bin capacity<br>lb (kg) | Width - <b>W1</b><br>in (cm) | Depth - <b>D1</b> <sup>1</sup><br>in (cm) | Height - <b>H1</b><br>in (cm) | Minimum door clearance<br>in (cm) | Approximate ship weight<br>lb (kg) |
|-------|---------------------------------|------------------------------|---|-------------------------------|-----------------------------------|------------------------------------|
| 1915  | 2,180 (989)                     | 60.00 (152.4)                | 58.5 (148.6)                              | 55.00 (139.7)                 | 48.00 (121.9)                     | 440 (200)                          |
| 2415  | 2,725 (1,237)                   | 60.00 (152.44)               | 58.5 (148.6)                              | 67.00 (170.2)                 | 48.00 (121.9)                     | 635 (288)                          |

<sup>1</sup> Includes 10.50" (26.7 cm) depth for snout.

**SHORT FORM SPECIFICATION:** Single door upright ice storage bin to be Kloppenberg® model \_\_\_\_\_ 1915 (2,180 lb (989 kg) of ice storage) or \_\_\_\_\_ 2415 (2,725 lb (1,236 kg) of ice storage). 304 stainless steel front and sides, stainless steel or galvanized back and bottom. Bin insulation to be CARB compliant non-HFC polyurethane foam 1.50" (3.81 cm) thick. Bin liner to be \_\_\_\_\_ seamless polyethylene or \_\_\_\_\_ 304 stainless steel with option for seamless fully welded covered corners. Custom cut bin top to be constructed of 304 stainless steel for ice machine configuration. Transparent view windows and spring loaded door hinge. Bin to have adjustable feet. Bin drain to be 1.00" NPS stainless steel. NSF listed.

CHEWBLET, FOLLETT and KLOPPENBERG are registered trademark of Follett Products, LLC, registered in the US. Follett reserves the right to change specifications at any time without obligation. Certifications may vary depending on country of origin.

## Single door upright bins