

Shuttle Plus Storage (SPS)

ice storage and transport



model# SPS-2 shown

Features

Two capacities available: 1,500 lb (680 kg) or 1,800 lb (816 kg)

Convenient design

- guillotines for gravity dispense and shovel door for ice management
- adjustable flanged feet provide stability

Fresher ice

- first ice in is first ice out

Ice compatibility

- compatible with cube ice, flake ice and Chewblet® ice

Durable construction

- SPS-2: seamless polyethylene liner with coved corners
- SPS-2-G: full stainless steel – front, back, sides, bottom and liner
- welded 40.00" (101.6 cm) base frame
- 1.50" (3.81 cm) foamed in-place polyurethane insulation keeps ice colder for longer
- two 48.00" (121.9 cm) clear PVC tubes for drainage, 1.00" ID
- factory installed stainless steel drain pan

Applications

- hospitality industry
- grocery store
- amusement/water park
- sports venue

Warranty

- 1 year parts and labor
- 3rd party ice machines must be installed and operated in accordance with the manufacturer's instructions
- visit kloppenberg.com for complete warranty details

Includes:

- two 250 lb (114 kg) capacity poly cart with foot operated rear drain
- 48.00" (21.8 cm) UHMWP ice paddle

Certifications (applied to all models unless otherwise noted)



Options and accessories¹

- Fully welded stainless steel liner (coved corners)
- Sleeves for additional capacity
- Ice shovel (item# 4030063)
- Ice scoop (item# 4030062)
- 48" (121.9 cm) ice paddle (item# 4030060)
- 60" (152.4 cm) ice paddle (item# 4030061)
- Ice cart, 250 lb (114.0 kg) capacity (item# PCC-250)
- Cart totes, set of 6 (item# 4030064)

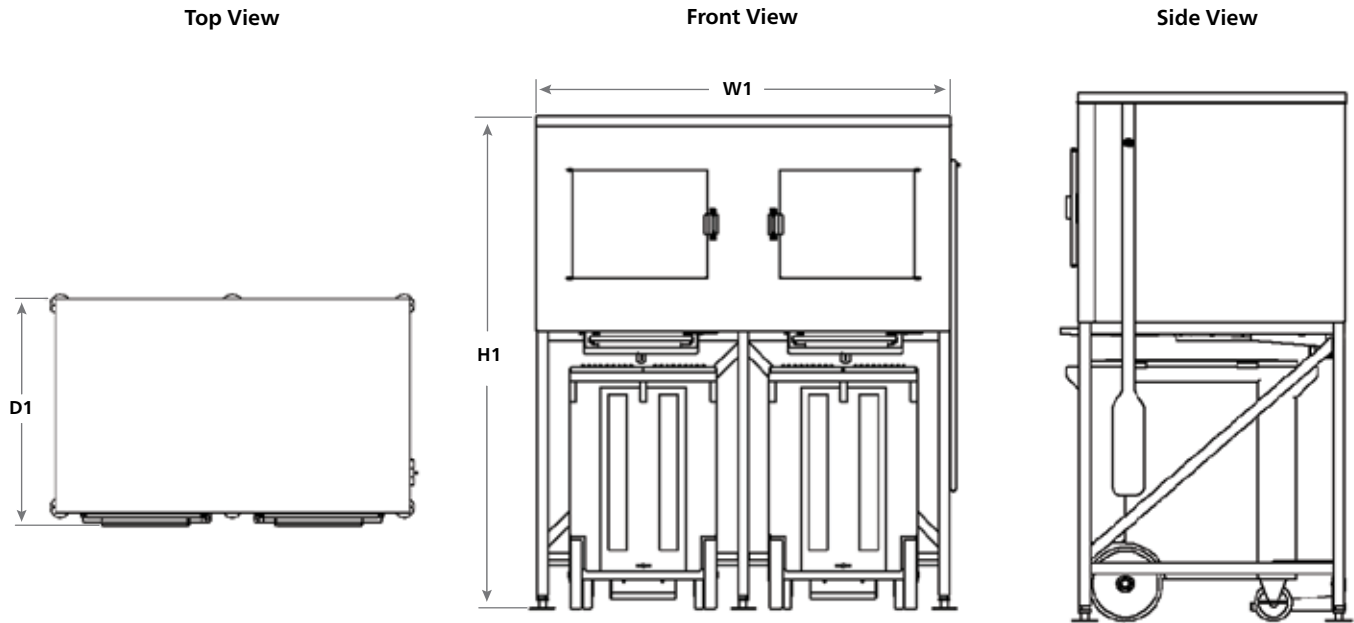
2627 W Oxford Ave, Englewood, CO 80110, USA
1.800.346.3246 | 1.303.761.1615 | kloppenberg.com

801 Church Lane | Easton, PA 18040, USA
1.800.523.9361 | Fax: +1.610.250.0696 | follettice.com

¹ Certifications do not apply to options and accessories.



Dimensional drawing



Model	Maximum bin capacity lb (kg)	Width - W1 in (cm)	Depth - D1 ¹ in (cm)	Height - H1 in (cm)	Minimum door clearance in (cm)	Approximate ship weight lb (kg)
SPS-2	1,500 (680)	60.00 (152.4)	40.50 (102.9)	71.00 (180.3)	71.00 (180.3)	565 (256)
SPS-2-G	1,800 (816)	60.00 (152.4)	52.50 (133.4)	71.00 (180.3)	71.00 (180.3)	765 (347)

¹ Includes 4.50" (11.43 cm) for the guillotine handle.

SHORT FORM SPECIFICATION: Shuttle Plus Storage to be Kloppenberg® model _____ SPS-2 (1,500 lb (680 kg) of ice storage) or _____ SPS-2-G (1,800 lb (816 kg)). Seamless polyethylene liner with coved corners on SPS-2 or 304 stainless steel front, back, sides, bottom and liner on SPS-2-G. Bin insulation to be CARB compliant non-HFC polyurethane foam 1.50" (3.81 cm) thick. Custom cut bin top to be constructed of 304 stainless steel for ice machine configuration. Bin to have adjustable flanged feet. Two 48.00" (121.9 cm) clear PVC tube for drainage, 1.00" ID. NSF listed.

CHEWBLET, FOLLETT and KLOPPENBERG are registered trademark of Follett Products, LLC, registered in the US. Follett reserves the right to change specifications at any time without obligation. Certifications may vary depending on country of origin.

Shuttle Plus Storage (SPS)

1137-20260302 | © Follett Products, LLC

2627 W Oxford Ave, Englewood, CO 80110, USA
1.800.346.3246 | 1.303.761.1615 | kloppenberg.com

801 Church Lane | Easton, PA 18040, USA
1.800.523.9361 | Fax: +1.610.250.0696 | follette.com

FOLLETT®