

DIRECT STEAM PEDESTAL KETTLE



- DP-20
- DP-30
- DP-40
- DP-60
- DP-80
- DP-100

OPERATION SHALL BE BY:

Direct steam at a minimum of 5 PSI (34 kPa) and a maximum of 30 PSI (206 kPa).

OPTIONS & ACCESSORIES AT ADDITIONAL COST

- | | | |
|--|---|---|
| <input type="checkbox"/> 50 PSI (345 kPa) high pressure operation for high cooking temperature (HP-50) | <input type="checkbox"/> Two piece hinged stainless steel cover (2PHC-, 40 gallon & up) | <input type="checkbox"/> Pressure reducing valve (PRV-2) |
| <input type="checkbox"/> 3" (76 mm) draw-off valve (TVS-3) with perforated strainer (TPS-) | <input type="checkbox"/> Correctional package | <input type="checkbox"/> Steam trap assembly consisting of steam trap, steam control valve, check valve and line strainer (STA-1) |
| <input type="checkbox"/> Etched gallon markings (GM-) | <input type="checkbox"/> Triple basket assembly (TBA-) | <input type="checkbox"/> Kettle heat shield (KHS-) |
| <input type="checkbox"/> Etched litre markings (LM-) | <input type="checkbox"/> Solid stainless steel disc for draw-off valve (TSS-) | |
| <input type="checkbox"/> Single pantry faucet with swing spout (SF-12) | <input type="checkbox"/> Strainer hook (SH) | |
| <input type="checkbox"/> Double pantry faucet with swing spout (DF-12) | <input type="checkbox"/> Graduated measuring strip (CMS-) | |

STANDARD CONSTRUCTION SPECIFICATIONS

Shall be a Crown model DP-20, DP-30, DP-40, DP-60, DDP-80, or DP-100, direct steam connected, pedestal base kettle.

A double wall kettle interior shall form a steam jacket around the lower 2/3 of the kettle.

The bottom of the kettle shall be of hemispherical design for superior heat circulation.

Construction shall be all welded satin finish stainless steel, type 304.

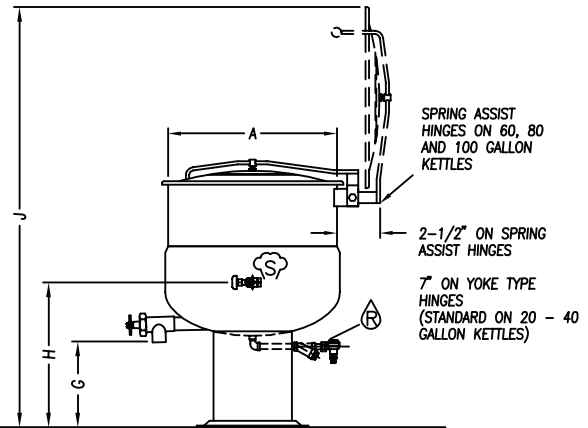
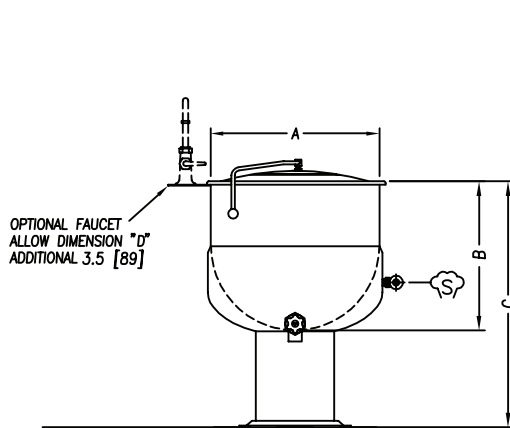
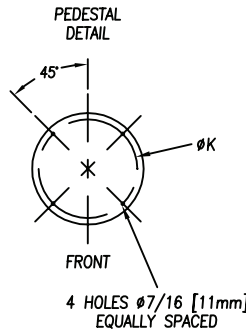
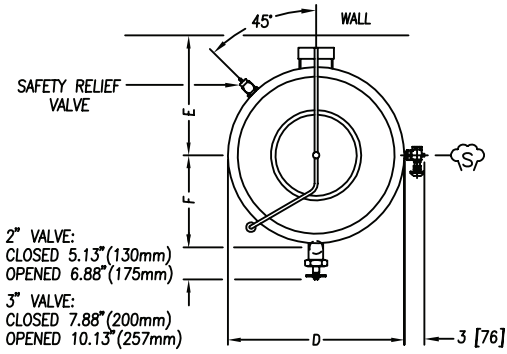
The liner shall be standard 316 for high acid content cooking.

Convenience features shall include 2" (50mm) sanitary draw-off valve with perforated strainer and a spring assist hinged counterbalanced stainless steel domed cover. Includes faucet bracket.



Approval Notes: _____

DP



SERVICE CONNECTIONS

- STEAM SUPPLY: 3/4" IPS (19 mm) 5-30 PSI (34-206 kPa). Optional 5-45 PSI (34-310 kPa)*

- CONDENSATE RETURN: 1/2" IPS (13 mm)

* Pressure reducing valve is required if incoming pressure exceeds 50 PSI (345 kPa).

DIMENSIONS

MODEL	CAPACITY	UNITS	A	B	C	D	E	F(2")	F(3")	G(2")	G(3")	H	J	K
DP-20	20 gallons (76 liters)	in (mm)	21" (533)	18" (457)	37" (940)	22.75" (578)	13.75" (349)	14.25" (362)	14.38" (365)	17" (432)	16.5" (419)	25.75" (654)	59.75" (1518)	16.63" (422)
DP-30	30 gallons (114 liters)	in (mm)	24" (610)	20" (508)	37" (940)	25.88" (657)	15.25" (387)	15.38" (391)	16.38" (416)	15" (381)	14.5" (368)	26.25" (667)	62.88" (1597)	16.63" (422)
DP-40	40 gallons (152 liters)	in (mm)	26" (660)	22.5" (572)	37" (940)	27.88" (708)	16.38" (416)	16.13" (410)	17.38" (441)	12.5" (318)	12" (305)	23.75" (603)	64.88" (1648)	16.63" (422)
DP-60	60 gallons (227 liters)	in (mm)	29.5" (749)	26" (660)	40.5" (1029)	31.38" (822)	18.13" (460)	17.63" (448)	19.13" (486)	12.5" (318)	12" (305)	24.63" (625)	72.88" (1851)	16.63" (422)
DP-80	80 gallons (303 liters)	in (mm)	33" (838)	28" (711)	42.5" (1080)	34.75" (883)	19.88" (505)	19.38" (492)	19.13" (486)	12.5" (318)	12" (305)	25.75" (654)	76.63" (1946)	19.63" (498)
DP-100	100 gallons (379 liters)	in (mm)	35.5" (902)	30" (762)	44.5" (1130)	37.25" (946)	21.13" (537)	20.13" (511)	19.13" (486)	12.5" (318)	12" (305)	26.5" (673)	81.75" (2076)	19.63" (498)

SPECIFICATIONS

MODEL	SHIPPING WEIGHT	MINIMUM CLEARANCE		MODEL	SHIPPING WEIGHT	MINIMUM CLEARANCE	
DP-20	155 lbs. [70 kg]	SIDES	3" [76 mm]	DP-60	265 lbs. [120 kg]	SIDES	3" [76 mm]
DP-30	180 lbs. [82 kg]			DP-80	308 lbs. [140 kg]		
DP-40	190 lbs. [86 kg]	BACK	0.5" [13 mm]	DP-100	360 lbs. [163 kg]	BACK	0.5" [13 mm]

YOKE TYPE HINGES MINIMUM CLEARANCE			YOKE TYPE HINGES MINIMUM CLEARANCE		
MODEL	SIDES	BACK	MODEL	SIDES	BACK
DP-20	3" [76 mm]	5" [127 mm]	DP-60	3" [76 mm]	5" [127 mm]
DP-30	3" [76 mm]	5" [127 mm]	DP-80	3" [76 mm]	6" [152 mm]
DP-40	3" [76 mm]	5" [127 mm]	DP-100	3" [76 mm]	6" [152 mm]

**INTENDED FOR COMMERCIAL USE ONLY.
NOT FOR HOUSEHOLD USE.**

