



ELECTRIC COUNTER TILTING KETTLE WITH CRANK TILT



- ECT- 6
- ECT-10
- ECT-12

OPERATION SHALL BE BY:

Electrically, self-generating closed steam system equipped for operation on:

The kettle shall be equipped for operation on:

- 208 VAC, 1 or 3 phase, 50/60 Hz.
- 220 VAC, 1 or 3 phase, 50/60 Hz.
- 240 VAC, 1 or 3 phase, 50/60 Hz.
- 380/220 VAC, 3 phase, 4 wire, 50/60 Hz.
- 415/240 VAC, 3 phase, 4 wire, 50/60 Hz.

* Phase is field convertible.

Standard Features

- Low water level cut-off and indicator
- Pressure gauge
- Solid state temperature control
- Safety relief valve
- Type 316 stainless steel liner
- 2/3 steam jacket
- 50 PSI (345 kPa) high pressure operation for higher cooking temperature
- Integrally mounted controls
- Removable elements
- Hand crank, smooth action tilt mechanism which is self locking for positive stop action and tilts past 90 degrees for ease of cleaning
- Stainless steel console and trunnion
- Water resistant construction
- Faucet bracket

OPTIONS & ACCESSORIES AT ADDITIONAL COST

- | | | |
|---|--|---|
| <input type="checkbox"/> 380 VAC, 3 phase, 50/60 Hz | <input type="checkbox"/> Correction package | <input type="checkbox"/> 21" (530 mm) high floor stand c/w sliding drain pan and stationary drain (SD-24: 6 gal. kettle, SD-30: 10/12 gal. kettles) |
| <input type="checkbox"/> 415 VAC, 3 phase, 50/60 Hz | <input type="checkbox"/> One piece lift-off stainless steel cover (C-) | <input type="checkbox"/> Graduated measuring strip (CMS-) |
| <input type="checkbox"/> 480 VAC, 3 phase, 50/60 Hz | <input type="checkbox"/> Stainless steel perforated basket (SSB-) | <input type="checkbox"/> Single pantry faucet with swing spout (SF-12) |
| <input type="checkbox"/> 600 VAC, 3 phase, 50/60 Hz | <input type="checkbox"/> 21" (530 mm) high floor stand c/w sliding shelf (S-24: 6 gal. kettle, S-30: 10/12 gal. kettles) | <input type="checkbox"/> Double pantry faucet with swing spout (DF-12) |
| <input type="checkbox"/> Etched gallon markings (GM-) | | <input type="checkbox"/> Pour lip strainer (TKS-) |
| <input type="checkbox"/> Etched litre markings (LM-) | | |

STANDARD CONSTRUCTION SPECIFICATIONS

Shall be a Crown model ECT-6, ECT-10 or ECT-12, self-generating, electric, counter, crank tilting kettle.

A double wall kettle interior shall form a steam jacket around the lower 2/3 or the kettle.

The jacket enclosure shall contain distilled water which is factory sealed.

The bottom of the kettle shall be of hemispherical design for superior heat circulation.

A stainless steel housing shall enclose the controls and tilt mechanism.

A stainless steel rectangular mounting base shall include the kettle mounting lugs concealed inside the enclosure.

The tilt mechanism shall be a permanently lubricated, self contained gearbox for smooth action, easy one hand tilting, and shall be self locking

for positive stop action.

Construction shall be of all welded #4 finish stainless steel, type 304.

The interior cooking surface shall be of type 316 stainless steel for added resistance to corrosion.

The kettle shall be ASME Code stamped, National Board Registered, c-CSA-us and NSF certified.

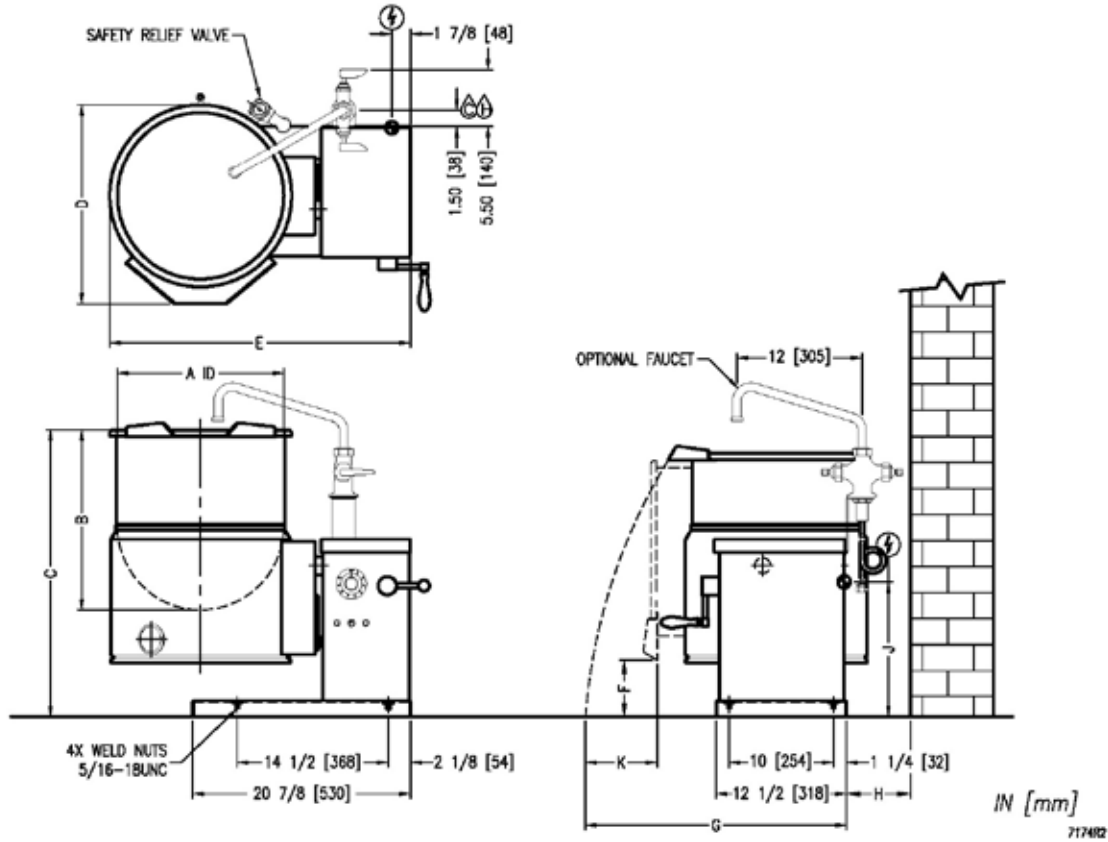
The controls shall be water resistant, integrally mounted, and shall include a power switch, solid state thermostat, pilot light, vacuum/pressure gauge, safety valve and low water shut off with low water light.

The kettle shall operate in a temperature range of 165°F to 285°F (74°C to 140°C) at a maximum pressure of 50 psi (345 kPa).

The kettle shall be standard with removable elements.



Approval Notes: _____



SERVICE CONNECTIONS

- ELECTRICAL CONNECTIONS: to be specified on data plate
- COLD WATER: 3/8" O.D. tubing to faucet (OPTIONAL)
- HOT WATER: 3/8" O.D. tubing to faucet (OPTIONAL)

CAPACITY AND DIMENSIONS

Model	Capacity	Units	A	B	C	D	E	F	G	H	J	K
ECT-6	6 gallons 23 liters	in (mm)	12" (305)	14.38" (365)	25" (635)	15.24" (387)	25.13" (638)	4" (102)	28" (711)	4.25" (108)	13" (330)	12.75" (324)
ECT-10	10 gallons 38 liters	in (mm)	16" (406)	15" (381)	25.31" (643)	19.13" (486)	28.89" (734)	4" (102)	28" (711)	6.12" (156)	13" (330)	12.75" (324)
ECT-12	12 gallons 45 liters	in (mm)	16" (406)	17.25" (438)	27.56" (700)	19.13" (486)	28.89" (734)	4" (102)	30" (762)	6.12" (156)	13" (330)	12.75" (324)

ELECTRICAL CHARACTERISTICS AND SPECIFICATIONS

MODEL	PHASE	kW	AMPS PER LINE							Model	Shipping Weight	Minimum Clearance			
			208V	220V	240V	380V	415V	480V	600V			Right Side	Left Side	Back	
ECT-6	1	7.5	36.0	34.1	31.3	-	-	-	-	ECT-6	130 lbs. [59 kg]	0"	3" (76 mm)	2.5" (64 mm)	
	3	7.5	20.8	19.7	18.1	11.4	10.4	9.0	7.2						
ECT-10/12	1	12.0	57.6	54.6	50.0	-	-	-	-	ECT-10	180 lbs. [82 kg]	0"	3" (76 mm)	2" (51 mm)	
	3	12.0	33.3	31.5	28.9	18.3	16.7	14.5	11.5						
											ECT-12	190 lbs. [86 kg]	0"	3" (76 mm)	2" (51 mm)

**INTENDED FOR COMMERCIAL USE ONLY.
NOT FOR HOUSEHOLD USE.**

