

GAS OYSTER BAR



Not exactly as shown.

- OB-2-2-27-G
- OB-3-2-40-G
- OB-4-2-54-G

OPERATION SHALL BE BY:

Gas operated at 9-11 psi (62-76 kPa) steam boiler operating, the controls shall be equipped for operation on 115VAC, 1 phase, 50/60 Hz.

- Natural gas
- L.P. gas

STANDARD FEATURES:

- Water Treatment System
- CSD-1 boiler controls
- Electronic ignition
- Split water line
- Automatic boiler blowdown

OPTIONS & ACCESSORIES

- | | | |
|--|---|--|
| <input type="checkbox"/> 220-240 VAC specify voltage (GBVS-1) | <input type="checkbox"/> Steam take-off kit (STOK) | <input type="checkbox"/> Dual pantry deck mount faucet with swing spout (DMF-12R-DJ) |
| <input type="checkbox"/> 300,000 BTU boiler (not available on OB-2-2-27-G) | <input type="checkbox"/> Water in "Y" strainer (Condenser Feed) | <input type="checkbox"/> Nickel plated boiler shell (NPBS) |
| <input type="checkbox"/> Correctional package | <input type="checkbox"/> Nylon cutting board (NCB-) | |

STANDARD CONSTRUCTION SPECIFICATIONS

Shall be a Crown Model OB-2-2-27-G, OB-3-2-40-G or OB-4-2-54-G, consisting of two, three or four direct steam connected steam, tilting oyster cookers.

Oyster cookers shall be constructed of type 316 stainless steel inner and outer shell with a #4 finish, one piece welded construction.

Each cooker shall be equipped with a tilt handle and heat resistant knob, allowing the cooker to be tilted forward 90° for complete emptying.

The stainless steel mounting legs shall have the steam supply and condensate within the legs and the right leg fitted with the steam control valve for the oyster cooker.

Oyster cookers are standard with a stainless steel lift off cover.

The oyster cookers are mounted on a cabinet base with full perimeter angle frame, reinforced counter, spillage sink complete with drain and drain screen, boiler mountings, gas boiler with controls, hinged doors with magnetic catches, removable side panels and 6" (152 mm) stainless steel legs fitted with 4 adjustable flanged feet for securing to the floor.

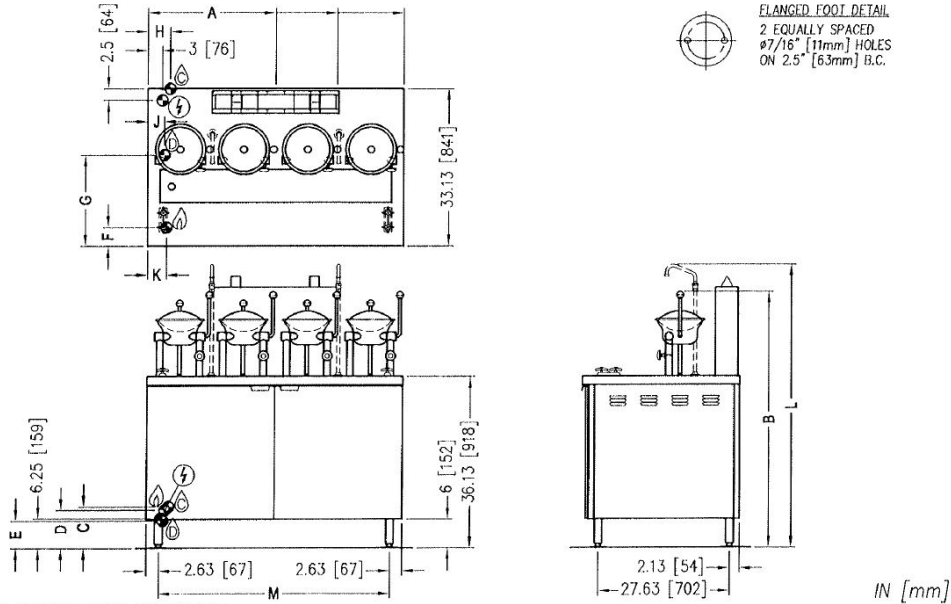
All #4 finish stainless steel exterior.

Steam manifold concealed within cabinet fitted with steam trap and safety relief valve. Unit comes standard with CSD-1 boiler controls, electronic ignition, split water line, and auto blowdown.

SEE REVERSE SIDE OF SPEC SHEET FOR WATER TREATMENT SYSTEM STATEMENTS



Approval Notes: _____



NOTE: FAUCET(S) OPTIONAL.

SERVICE CONNECTIONS

- Unless otherwise specified, Field Wire Electrical Connection to be 120 Volts, 60 Hertz single phase with grounding.
- GAS CONNECTION: 3/4" IPS supply line required
- DRAIN: 2"IPS piped to open floor drain. No Solid Connection.
- COLD WATER: 3/8" O.D. tubing at 25-50 PSI(170-345 kPa)

DIMENSIONS

Model	Units	A	B	C	D	E	F	G	H	J	K	L	M
OB-2-2-27-G	in (mm)	27" (686)	54" (1372)	8.75" (222)	8" (203)	5.75" (146)	4" (102)	19.25" (489)	4.75" (121)	3.5" (89)	4" (102)	59.75" (1518)	21.63" (549)
OB-3-2-40-G	in (mm)	40" (1016)											34.63" (879)
OB-4-2-54-G	in (mm)	54" (1372)											48.63" (1235)

GAS CHARACTERISTICS

MODEL	BTU/HR.	kW/HR.	GAS SUPPLY	
			SUPPLY PIPE PRESSURE (W.C.)	
OB-	200,000	58.6	Natural 7"-14" (178-356mm)	Propane 11"-14" (279-356mm)
	250,000	73.3		
	300,000 (optional)	87.9		

MODEL	CAPACITIES (PER KETTLE)		
	BTU	US Quart	Liters
OB-2-2-27-G	200,000	2 x 2	2 x 2
OB-3-2-40-G	250,000	3 x 2	2 x 3
OB-4-2-54-G	250,000	4 x 2	2 x 4

WATER QUALITY STATEMENT

Water is the essential ingredient in steam equipment, water quality is the major factor affecting the performance of your appliance. Crown Steam Group offers a Comprehensive Water Treatment System which exceeds our minimum water requirements. Proof of installation and proper cartridges replacement is required for warranty coverage. Water supply to Crown Steam Group steamers must be within these guidelines.

- Total dissolved solidsLess than 60 PPM
- Total alkalinityLess than 20 PPM
- Silica.....Less than 13 PPM
- ChlorineLess than 1.5 PPM
- pH Factor 6.8 - 7.3

Water which does not meet these standards should be treated with the installation of Middleby's Water Treatment System. Call 919-762-1000 if you have questions concerning your water meeting these parameters.

*Failure or malfunction of this appliance due to poor water quality is not covered under warranty.
Reference www.crownsteamgroup.com for complete warranty details and instructions.

**INTENDED FOR COMMERCIAL USE ONLY.
NOT FOR HOUSEHOLD USE.**

