



Ice Storage Dispenser

Model Number

DISP-1000-IBU

FEATURES

- Standard Features—Foot pedal activated ice dispensing and timed agitation
- IBU Options— timed dispensing (push button dispensing in place of foot pedal), bag blower and wicket assembly
- Seamless polyethylene liner with coved corners
- Fully welded stainless steel augers and agitators
- 1 ½” foamed in-place polyurethane insulation
- 1/2 HP motor(s) with torque overload and recovery
- 110 volt, single phase, 15 amp power 50/60 hz
- Adjustable bag shelf with bag hooks*
 - *Accommodate most ice bags
- Adjustable flanged feet
- Factory installed drain
- Welded base frame
- **Not to be used with softer ice such as Flake, Nugget or Chewlet Ice**



Toll Free Phone: 1-800-346-3246

Local Phone: (303) 761-1615

E-mail: sales@kloppenberg.com

www.kloppenberg.com

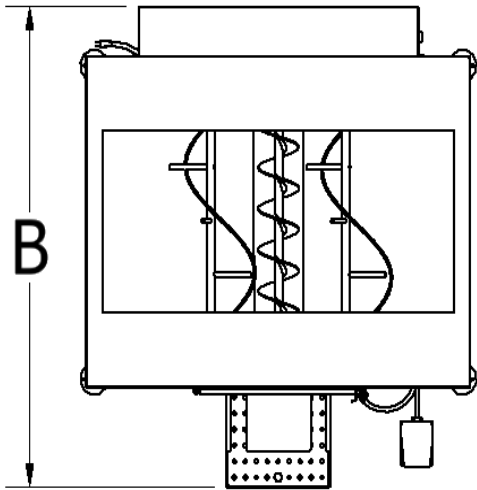
APPLICATIONS

- Convenience Store
- Grocery Store
- Liquor Store
- Marina

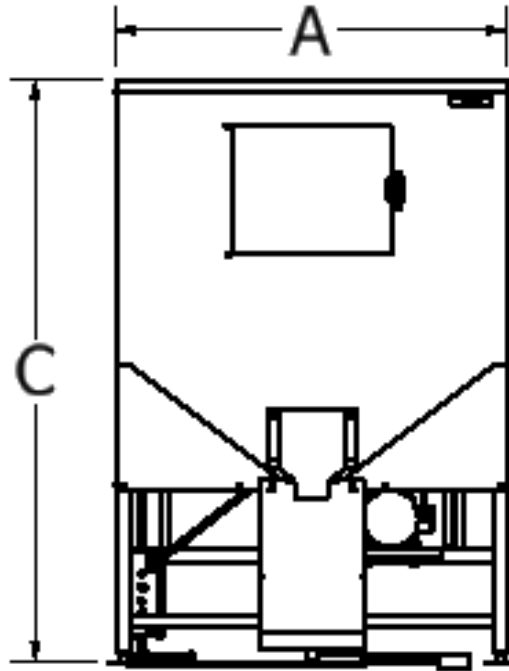
Model Number

DISP-1000-IBU

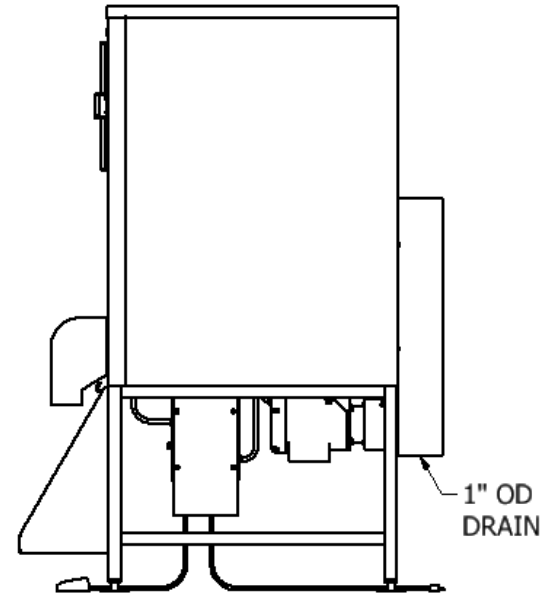
Ice Storage Dispenser



TOP VIEW



FRONT VIEW



SIDE VIEW

Model Number	Capacity lbs (kg)	A-Width in (mm)	B-Depth* in (mm)	C-Height in (mm)	Minimum Door Clearance	Ship Weight lbs (kg)
DISP-1000-IBU	1,078 (489)	48 (1,219)	52.5 (1,333)	72 (1,829)	48 (1,219)	610 (277)

*Depth includes 16.5" for the electrical components, ice chute, & bag shelf

OPTIONS:

- Stainless steel liner
- Fully welded stainless steel liner (coved corners)
- Power Conversion

AVAILABLE ACCESSORIES:

- Scoops
- Totes
- Carts

Toll Free Phone: 1-800-346-3246 Local Phone: 303-761-1615

Email: sales@kloppenbergl.com

Please send all PO's to purchaseorders@kloppenbergl.com