



**NAFEM**

North American Association of  
Food Equipment Manufacturers

**Toll Free Phone: 1-800-346-3246**

**Local Phone: (303) 761-1615**

**E-mail: [sales@kloppenberg.com](mailto:sales@kloppenberg.com)**

[www.kloppenberg.com](http://www.kloppenberg.com)

# Ice Storage Dispenser

**Model Number**

DISP-1000-IBU

## **FEATURES**

- Standard Features—Foot pedal activated ice dispensing and timed agitation
- IBU Options— timed dispensing (push button dispensing in place of foot pedal), bag blower and wicket assembly
- Seamless polyethylene liner with coved corners
- Fully welded stainless steel augers and agitators
- 1 ½” foamed in-place polyurethane insulation
- 1/2 HP motor(s) with torque overload and recovery
- 110 volt, single phase, 15 amp power 50/60 hz
- Adjustable bag shelf with bag hooks\*  
\*Accommodate most ice bags
- Adjustable flanged feet
- Factory installed drain
- Welded base frame
- **Not to be used with softer ice such as Flake, Nugget or Chewblet Ice**

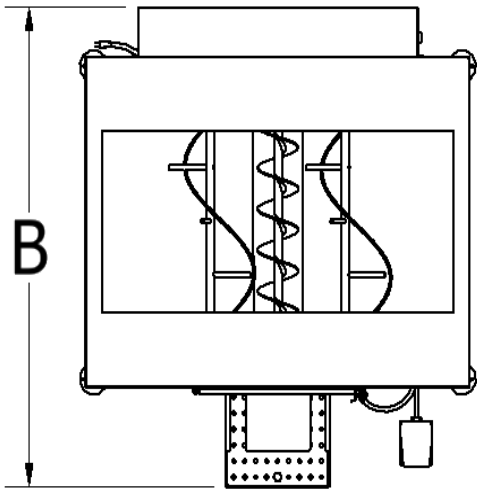
## **APPLICATIONS**

- Convenience Store
- Grocery Store
- Liquor Store
- Marina

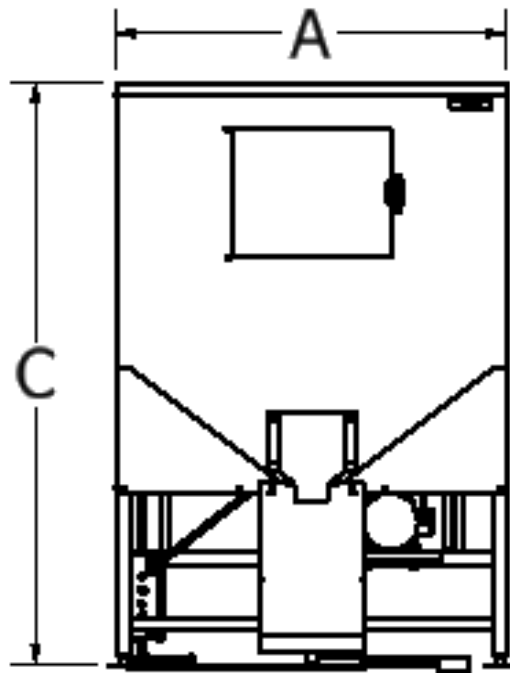
**Model Number**

DISP-1000-IBU

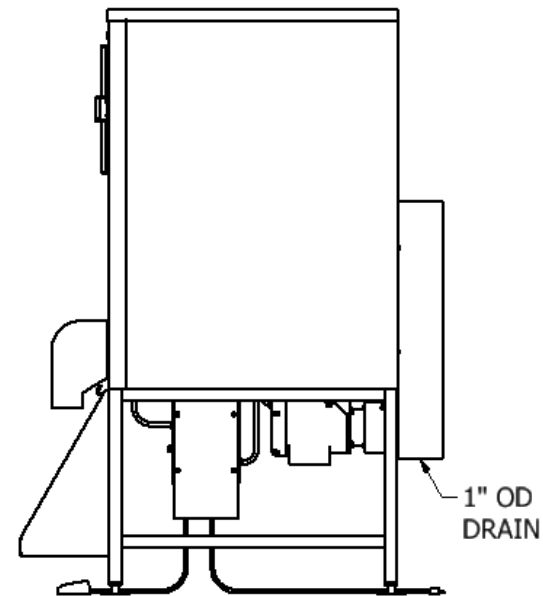
# Ice Storage Dispenser



TOP VIEW



FRONT VIEW



SIDE VIEW

Model Number	Capacity lbs (kg)	A-Width in (mm)	B-Depth* in (mm)	C-Height in (mm)	Minimum Door Clearance in (mm)	Ship Weight lbs (kg)
DISP-1000-IBU	1,078 (489)	48 (1,219)	52.5 (1,333)	72 (1,829)	48 (1,219)	610 (277)

\*Depth includes 16.5" for the electrical components, ice chute, & bag shelf

**OPTIONS:**

- Stainless steel liner
- Fully welded stainless steel liner (coved corners)
- Power Conversion

**AVAILABLE ACCESSORIES:**

- Scoops
- Totes
- Carts

Toll Free Phone: 1-800-346-3246 Local Phone: 303-761-1615

Email: [sales@kloppenberg.com](mailto:sales@kloppenberg.com)

Please send all PO's to [purchaseorders@kloppenberg.com](mailto:purchaseorders@kloppenberg.com)