



FRIFRI ECO 4 ELECTRIC COUNTER-TOP SINGLE TANK FRYER - 1 BASKET - W 203 MM - 2.3 KW

MODEL: 650102



Minimum space, maximum output. The FriFri 2.3kW Eco 4 Counter Top Fryer won't take up much space on your worksurface, but it will deliver when you need it to. Sturdy, with a stainless steel tank for easy cleaning, it's ideal for any venue where chips and other highly-flavoured fried foods are required. Equipped with a mechanical thermostat for maintaining oil temperature, the Eco 4 boasts the kind of quality that customers have come to expect from the FriFri brand for over 70 years.

PRODUCT OPTIONS AND ACCESSORIES

- FZ300941 BASKET FOR ECO 4 MODELS - COMPLETE WITH MOULDED HANDLE

PRODUCT FEATURES

- Ideal for the supply of portions of chips, as an occasional fryer or for cooking highly flavoured food
- Mechanical thermostat for maintaining oil temperature to within +/-8 °C of the temperature set
- One piece pressed stainless steel tank with rounded corners and lift-out control panel for reduced cleaning times

A/A FILE NUMBER:

ITEM NUMBER:



FRIFRI ECO 4 ELECTRIC COUNTER-TOP SINGLE TANK FRYER - 1 BASKET - W 203 MM - 2.3 KW

MODEL: 650102

WEIGHTS & DIMENSIONS

Width	203 mm
Depth	375 mm
Height	295 mm
Weight	4.6 kg

SHIPPING DETAILS

Ship Width	42 cm
Ship Depth	22 cm
Ship Height	33 cm
Ship Weight	5.06 kg
Ship Method	Small Parcel (FedEx, UPS, DHL)
Shipping Package Type	Pieces
Shipping Origin Zip Code	LN6 3QZ, UNITED KINGDOM
Quick Ship Product	No

PRODUCT CERTIFICATIONS



ENERGY SPECS

Primary Energy Type	Electric	Electrical Phase	1-Phase
Electrical Total Amperage	10 A	Number of Electrical Plugs	Not Applicable
Electrical Volts	230V	Number of Electrical Conductor Wires	1
Electrical Total Wattage	2300 W	Dedicated Circuit Required	Yes
Electrical Kilowatts	2.3 kW	Electrical Remarks	Single

ADDITIONAL SPECIFICATIONS

Auto Oil Top-Off	No	Number of Vats (batteries)	1
Basket Lift Type	Not Applicable	Total Oil Capacity (volume)	4 l
Construction Materials	Stainless Steel	Oil Reclamation	No
Control Type	Rotary Control Knob	Oil Temperature Control	Mechanical
Food Production Rate	5.4kg fries - 7mm [frozen]	Pumped Oil Filtration	No
Fryer Type	Open Pot	Vat 1 Oil Capacity (volume)	4 l
Integrated Filtration	No	Ventless Cooking Technology	No
Number of Baskets	1	Split Pot	No
		Temperature Maximum	190 °C





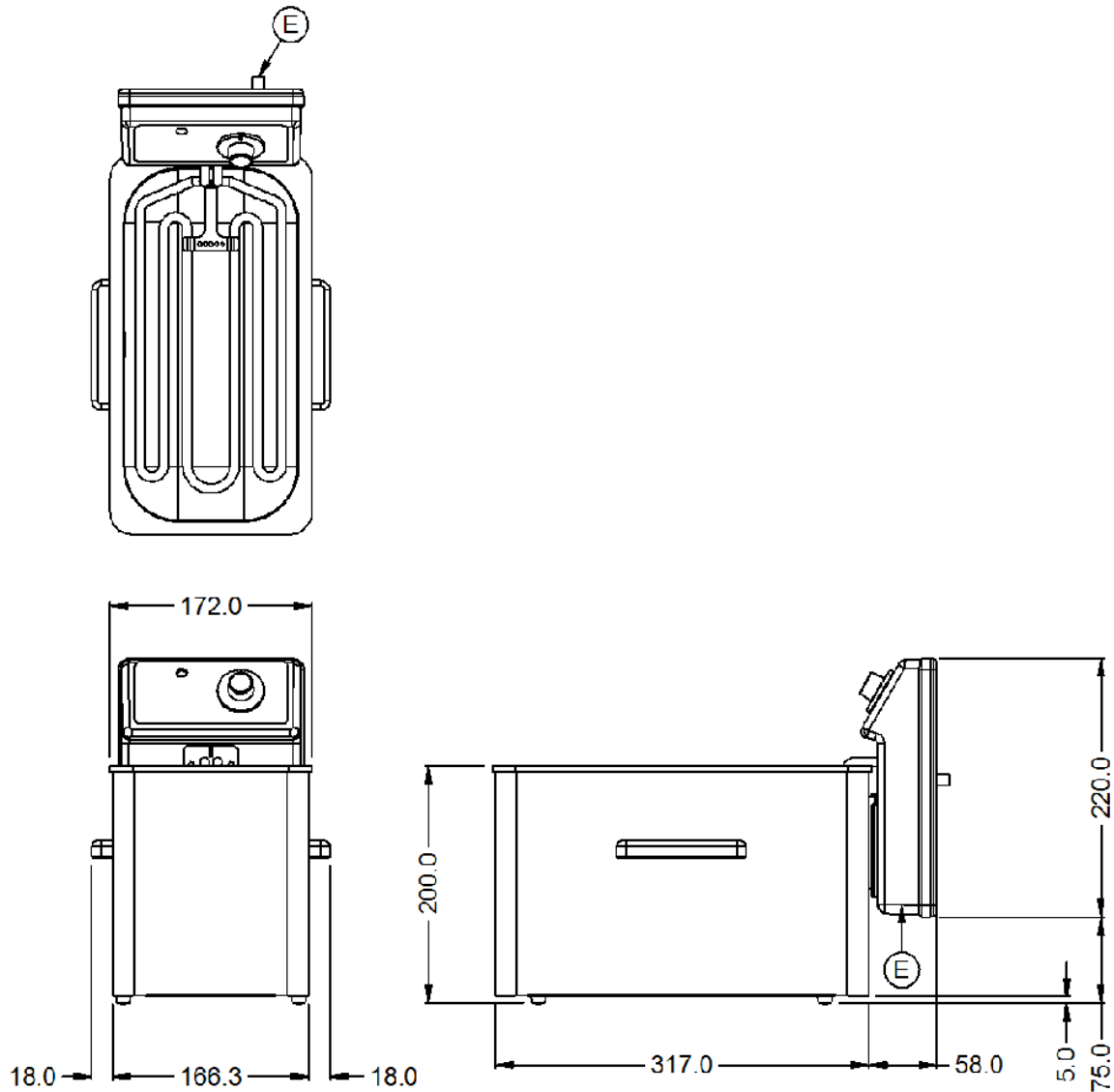
FRIFRI ECO 4 ELECTRIC COUNTER-TOP SINGLE TANK FRYER - 1
BASKET - W 203 MM - 2.3 KW

MODEL: 650102

BIDDING SPECIFICATIONS (SHORT FORM SPECS)

Bidding Specifications Not Available.

TECHNICAL DRAWING



Frifri reserves the right to modify specifications or discontinue models without incurring obligation. Dimensions nominal.

Document Auto-Generated
March 24, 2025

