

Project Name: _____ AIA#: _____

Model #: _____ Location: _____

SIS#: _____ Item #: _____ Quantity: _____



Label Printing Scale

Legal for trade, crystal clear LCD display —

a must for grocery stores, delis and butcher shops!



*** Software required**

(download at globefoodequip.com/products/scales/label-printing/gsp30b.html)

**** Network switch and Ethernet cable required** Flash drive recommended for back up purposes

Labels:

E11 Standard Label (60mm x 44mm, 2.36" x 1.73")

E12 Safe Handling Label (60mm x 64mm, 2.36" x 2.52")

E13 Ingredient Label (60mm x 80mm, 2.36" x 3.15")

Model

GSP30B

Standard Features

- Legal for trade
- Connects to PC for easy PLU creation, label file access and maintenance*
- Direct thermal printer - prints ingredient, standard and safe handling labels

Prints the following:

- Product name/description
- Sell by and packed dates
- Unit and total price
- Tare
- Weight
- PLU number
- Bar code
- Store name and address
- Customized logo*

Dual sided LCD, 3/4" blue alphanumeric display, with sharp white 16 segment capability, easy to view for customer and operator

Static TCP/IP Ethernet communication**

USB port for easy file transport to multiple stand-alone scales

2MB standard memory

- 168 preset capacity (84 one-touch keys that store 2 items each)
- Weight capacity — .01 to 30 lbs.
- Large 14" x 10.5" stainless steel platter, removable for easy cleaning
- E11 label roll included

Warranty

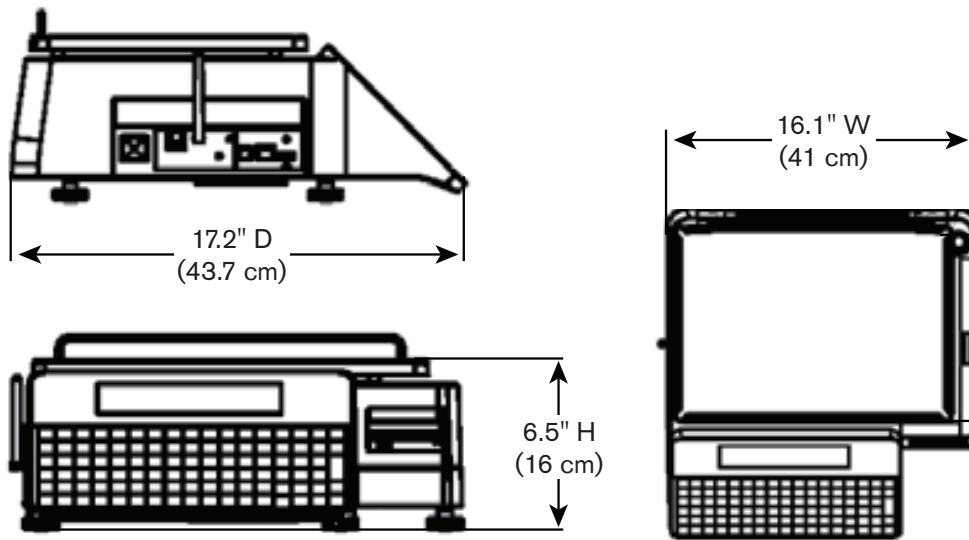
- One year parts and labor

Optional Items

- Additional labels (required)
 - Standard
 - Safe Handling
 - Ingredient

To select options, see complete list on back

Approved by: _____ Date: _____



SAMPLE LABELS (Not actual size)



Standard Label (E11)
Actual size: (2.36" x 1.73")



Safe Handling Label (E12)
Actual size: (2.36" x 2.52")



Ingredient Label (E13)
Actual size: (2.36" x 3.15")
Prints 14 lines, 46 characters/line

Power Requirements: 115-60-1

Cord and Plug: attached 6 ft. flexible 3 wire cord and plug, NEMA 5-15P

DIMENSIONS | SHIPPING INFORMATION

Carton reinforced for shipping. The weight and dimensions of this reinforced carton are included below and may vary from shipment to shipment.

	Overall Dimensions	Net Wt	Shipping Dimensions	Ship Wt
GSP30B	16.1" w x 17.2" d x 6.5" h (40.7 cm x 43.7 cm x 16 cm)	21 lbs (9.5 kg)	20" w x 21.3" d x 10" h (51 cm x 54 cm x 16.5 cm)	25 lbs (11.4 kg)

Scale is legal for trade and has dual-sided LCD display. Scale prints standard and safe handling labels containing product name, sell by and packed dates, price, tare, weight, PLU number, bar code, store name and address; also includes ingredient label printing capability. Unit can store up to 168 presets and has a weight capacity of .01-30 lbs. Scale has 2MB standard memory and connects to PC (network switch and Ethernet cable required). Unit is UL listed and NTEP approved. One year parts and labor warranty.

OPTIONAL ITEMS

REQUIRED LABELS:

E11 Standard Labels case of 12 rolls (835 labels per roll)

E12 Safe Handling Labels case of 12 rolls, safe handling instructions pre-printed on label (625 labels per roll)

E13 Ingredient Labels case of 12 rolls (545 labels per roll)