

Project Name: _____ AIA#: _____

Model #: _____ Location: _____

SIS#: _____ Item #: _____ Quantity: _____



Gas Countertop Griddles

It's what's INSIDE that counts!

Insulated double wall construction for superior heating efficiency.



GG60TG

Models

Manual Control

- GG15G
- GG24G
- GG36G
- GG48G

Thermostat Control

- GG24TG
- GG48TG
- GG36TG
- GG60TG (pictured)

Standard Features

- Efficient 1" thick highly polished steel griddle plate, fully welded to sleek stainless steel front plate and frame
- Insulated double wall front and side construction with extended cool-to-touch front edge
- High performance 30,000 BTU per burner
- Stainless steel U-style burners provide heat control every 12" and flame every 6"
- Individual adjustable pilot for each burner with easy front panel access
- Piezo ignition on thermostatic griddles
- 200°F - 575°F temperature range on the thermostatic griddle
- Removable, easy-to-clean, stainless steel catch tray
- Metal control knobs with set screws
- Adjustable 4" stainless steel legs
- Spatula wide 4" trough
- 3.5" tapered splash guard
- Unit ships natural gas with liquid propane gas (LP) conversion kit and regulator

Warranty

- *Two years parts and labor*

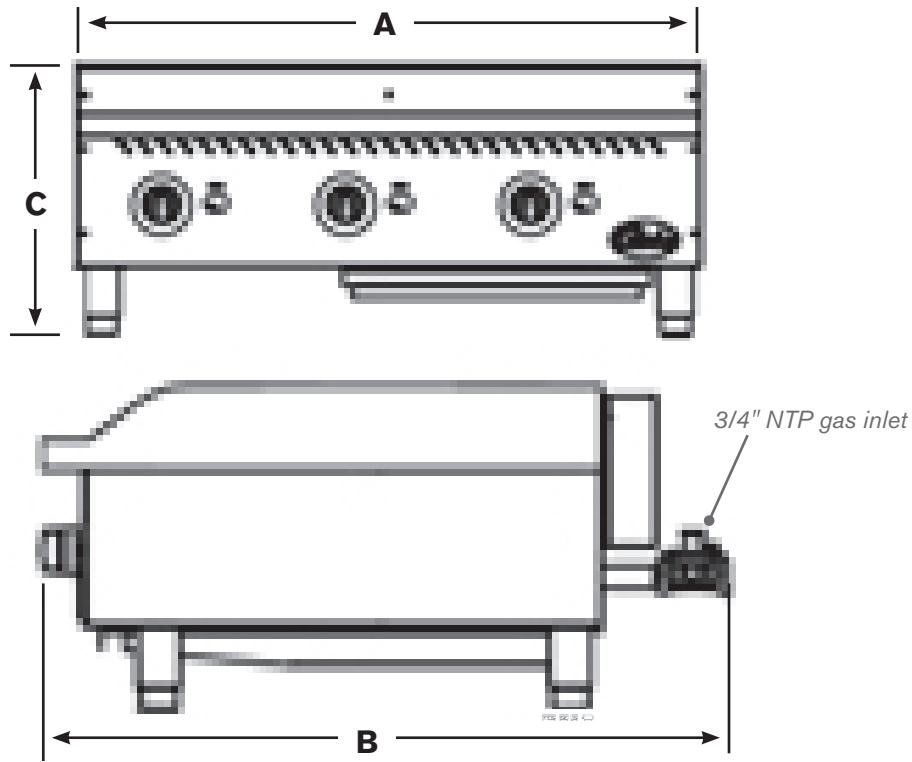


Approved by: _____ Date: _____



Gas Countertop Griddle

15" / 24" / 36" / 48" / 60" Models



CLEARANCES These units can be installed on non-combustible countertops using the provided 3.5 inch (88.9 mm) legs or on a combustible floor using a minimum 28.5-inch (723.9 mm) tall stand. The back and both sides must be at least six inches (152.4 mm) from any combustible surface.

For indoor use only

DIMENSIONS | SPECIFICATIONS | SHIPPING INFORMATION

Reinforced carton for shipping. Weight of carton included below and may vary from shipment to shipment.
 Shipped on a pallet. Freight class 77.5

Model	Width (A)	Depth (B) (includes inlet pipe, back baffle, regulator)	Height (C)	Net Wt	No. Burners BTUs ea.	BTU	Cooking Area (W x D)	Shipping Dimensions (W x D x H)	Ship Wt
GG15G	15" (38 cm)	32.68" (83 cm)	15.75" (40 cm)	118.17 lbs (53.6 kg)	1 30,000	30,000	15" x 20" (38 cm x 51 cm)	48" x 40" x 23" (122 cm x 102 cm x 58.4 cm)	145 lbs (65.8 kg)
GG24G/ GG24TG	24" (61 cm)	32.68" (83 cm)	15.75" (40 cm)	163 lbs (81 kg)	2 30,000	60,000	24" x 20" (61 cm x 51 cm)	48" x 40" x 23" (122 cm x 102 cm x 58.4 cm)	210 lbs (95.3 kg)
GG36G/ GG36TG	36" (91.5 cm)	32.68" (83 cm)	15.75" (40 cm)	258 lbs (117 kg)	3 30,000	90,000	36" x 20" (91 cm x 51 cm)	48" x 40" x 23" (122 cm x 102 cm x 58.4 cm)	307 lbs (139.25 kg)
GG48G/ GG48TG	48" (122 cm)	32.68" (83 cm)	15.75" (40 cm)	337.75 lbs (153.2 kg)	4 30,000	120,000	48" x 20" (122 cm x 51 cm)	54" x 36" x 23" (137 cm x 91.4 cm x 58.4 cm)	397 lbs (180 kg)
GG60TG	60" (152.4 cm)	32.68" (83 cm)	15.75" (40 cm)	420.64 lbs (190.8 kg)	5 30,000	150,000	60" x 20" (152.4 cm x 50.8 cm)	62" x 36" x 23" (152.5 cm x 91.4 cm x 58.4 cm)	484.14 lbs (219.6 kg)

GAS REQUIREMENTS AND INFORMATION

- Natural gas or LP main supply required
- Conversion of unit from natural gas to LP must be completed by an authorized Globe servicer

Gas griddle is constructed of stainless steel with extra-insulation in front and side walls; with cool-to-touch front edge. Griddle plate is 1" thick, highly polished steel with 3.5" tapered wraparound stainless steel splash guard. Griddle has a 4" wide front grease trough with grease chute and a stainless steel grease drawer with weep holes. Unit has high performance 30,000 BTU stainless steel U-style burners to provide flame every 6". A standing pilot is provided on manual control griddles, Pizio ignition provided on thermostatic griddles. Temperature range is 200° F to 575° F on thermostatic griddles. Gas connection is 3/4" N.P.T. males and a convertible pressure regulator is provided for either LP or natural gas. Griddle is listed to NSF Standard 4 by ETL. Two year parts and labor warranty.