

Project Name: _____ AIA#: _____

Model #: _____ Location: _____

SIS#: _____ Item #: _____ Quantity: _____



Gas Countertop Charbroiler

You have options...

radiant or char rock heating units available in 15", 24", 36" and 48" widths.



GCB24G-RK

Models

Radiant Heat Charbroiler – Stainless Steel

- GCB15G-SR
- GCB24G-SR
- GCB36G-SR
- GCB48G-SR

Radiant Heat Charbroiler – Cast Iron

- GCB15G-CR
- GCB24G-CR
- GCB36G-CR
- GCB48G-CR

Char Rock Charbroiler

- GCB15G-RK
- GCB24G-RK
- GCB36G-RK
- GCB48G-RK

Standard Features

- Insulated double wall construction front and sides for superior heating efficiency with extended cool-to-touch front edge
- Heavy duty, reversible, cast iron grates with drip flavor edge
- Heavy duty, cast iron char rock grid standard on char rock models
- Radiant covers available in stainless steel or heavy duty cast iron on radiant charbroiler models
- High performance 40,000 BTU per burner
- Stainless steel U-style burners provide heat control every 12" and flame every 6"
- Individual adjustable pilot for each burner with easy front panel access
- Removable, easy-to-clean, stainless steel catch tray
- Metal control knobs with set screws
- Adjustable 4" stainless steel legs
- Versatile grate position, angled or flat (*backsplash 2" to 4", depending on grate position*)
- Field convertible to radiant, char rock, or combination
- Unit ships natural gas with liquid propane gas (LP) conversion kit and regulator



Optional Accessories

- Replacement radiant and rock accessories
- To select options, see detailed list on back*

Warranty

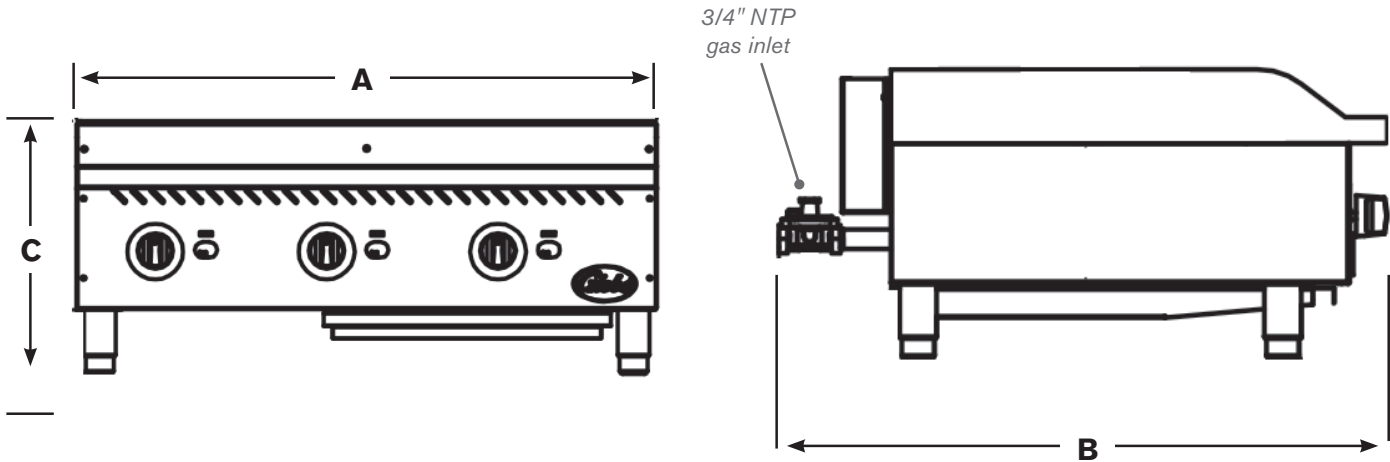
- *Two years parts and labor*

Approved by: _____ Date: _____



Gas Countertop Charbroiler

15" / 24" / 36" / 48" Models



CLEARANCES These units can be installed on non-combustible countertops using the provided 3.5 inch (88.9 mm) legs or on a combustible floor using a minimum 28.5-inch (723.9 mm) tall stand. The back and both sides must be at least six inches (152.4 mm) from any combustible surface.

For indoor use only

DIMENSIONS | SHIPPING INFORMATION

Reinforced carton for shipping. Weight of carton included below and may vary from shipment to shipment. **Shipped on a pallet. Freight class 77.5**

Model	Width	Depth	Height	Net Wt	No. Burners BTUs ea	Total BTUs	Cooking Area	Shipping Dimensions	Ship Wt
GCB15G-SR GCB15G-CR GCB15G-RK	15" (38 cm)	30.32" (77 cm)	15.75" (40 cm)	78 lbs (35.4 kg)	1 40,000	40,000	15" x 20" (40 x 51 cm)	48" x 40" x 23" (122 cm x 102 cm x 58.4 cm)	101.4 lbs (46 kg)
GCB24G-SR GCB24G-CR GCB24G-RK	24" (61 cm)	30.32" (77 cm)	15.75" (40 cm)	116.85 lbs (53 kg)	2 40,000	80,000	24" x 20" (91 x 51 cm)	48" x 40" x 23" (122 cm x 102 cm x 58.4 cm)	145.5 lbs (66 kg)
GCB36G-SR GCB36G-CR GCB36G-RK	36" (91.5)	30.32" (77 cm)	15.75" (40 cm)	162.3 lbs (73.6 kg)	3 40,000	120,000	36" x 20" (91 x 51 cm)	48" x 40" x 23" (122 cm x 102 cm x 58.4 cm)	204.6 lbs (92.8 kg)
GCB48G-SR GCB48G-CR GCB48G-RK	48" (122 cm)	30.32" (77 cm)	15.75" (40 cm)	220 lbs (99.8 kg)	4 40,000	160,000	48" x 20" (91 x 51 cm)	54" x 36" x 23" (137 cm x 91.4 cm x 58.4 cm)	272 lbs (123.4 kg)

GAS REQUIREMENTS AND INFORMATION

- Natural gas or LP main supply required
- Conversion of unit from natural gas to LP must be completed by an authorized Globe servicer
- 3/4" standard pipe size I.D. connection

OPTIONAL/ADDITIONAL ACCESSORIES

Radiant Heat

- CHARSSRAD Stainless steel tent radiant
- CHARCIRAD Cast iron tent radiant

Char Rock

- CHARRACK KIT Includes (2) 6-inch cast iron char racks and (1) 30 count box char rocks - one kit per burner (RK)
- CHARROCK 30 count box char rocks (per burner)
- CHARMTL metal char rack

Note: Radiant heat charbroilers come standard with stainless steel radiant burner covers for heating. Cast iron radiant burner covers keep heat in longer and are stronger than standard stainless steel radiants.

Gas charbroiler is constructed of stainless steel with extra-insulation in front and side walls with cool-to-touch front edge. Charbroiler has heavy-duty reversible cast iron grates with versatile positioning angled or flat, and cast iron char rock grid on char rock models. Radiant covers available in stainless steel or cast iron for radiant charbroiler models. Unit has high performance 40,000 BTU stainless steel U-style burners to provide flame every 6". Field convertible to radiant, char rock or combination; ships natural gas with LP conversion kit included. Charbroiler is listed to NSF Standard 4 by ETL. 2 year parts and labor warranty.