

Project Name: _____ AIA#: _____

Model #: _____ Location: _____

SIS#: _____ Item #: _____ Quantity: _____



NEW!

Globe Cheese Shredder

Convenience meets quality!

Shred through up to 6 pounds of cheese in as little as 6 seconds with Globe's new Cheese Shredder!



Shown with optional shelf

Models

- GSCS2-1 - 2 HP, 1 phase
- GSCS2-3 - 2 HP, 3 phase
- GSCS3-3 - 3 HP, 3 phase

Standard Features

- Shreds up to 65 lbs. per minute
- Shred 6-8lb. block without cutting to fit into hopper
- Robust motors featuring high starting torque
- Overload protection with auto reset
- Position switch to ensure hopper engagement
- Stainless steel housing
- Disassembles without tools for fast and easy clean up
- Ships with attached cord and plug
- 3/16" shredding plate included (XSP316-HD)

Warranty

- 1 year parts and labor (except wear parts)

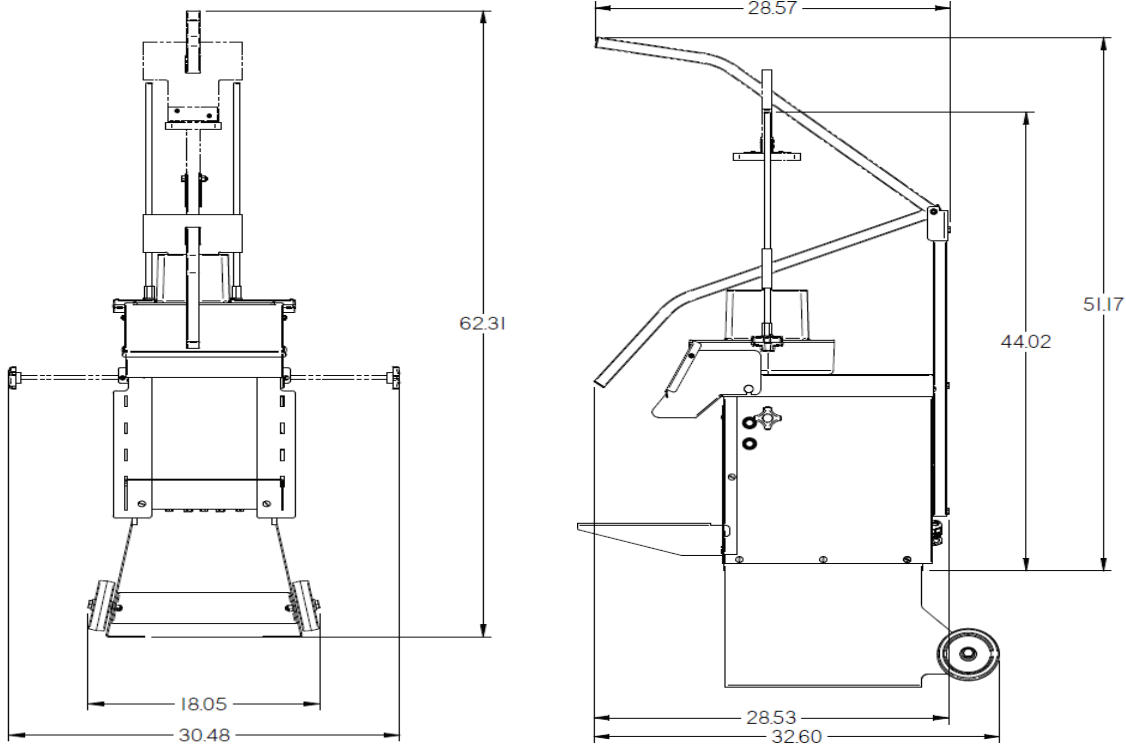
Optional Accessories/Attachments

- **GSCS-Shelf** - Adjustable Container Shelf
- **GSCS-Base** - Used to convert to floor model
- **XSP332** - 3/32" shredding plate
- **XSP14** - 1/4" shredding plate
- **XSP516** - 5/16" shredding plate
- **XSP12** - 1/2" shredding plate
- **XSP316-HD** - 3/16" heavy duty shredding plate
- **XSP316** - 3/16" shredding plate

To select options see back



Approved by: _____ Date: _____



SPECIFICATIONS

Model	Motor	Volts	Amps	Frequency	Phase
GSCS2-1	2 HP	230	9.5	60	1
GSCS2-3	2 HP	230	3.0	60	3
GSCS3-3	3 HP	230	4.0	60	3

Cord & Plug: Attached 6-foot flexible 3-wire cord for single phase, 4-wire cord for 3 phase with molded plug fits a grounded receptacle. Single phase NEMA L6-20P. Three phase NEMA L15-20P.

DIMENSIONS | SHIPPING INFORMATION

Freight class 85.

Model	Assembled Unit Dimensions	Assembled Unit with Base Dimensions	Net Weight	Shipping Dimensions	Shipping Weight
GSCS2-1	14.23" W x 28.53" D x 51.17" H (36.14 cm x 72.47 cm x 129.97cm)	18.05" W x 28.53" D x 62.31" H (45.85 cm x 72.47 cm x 158.27 cm)	165 lbs. (75 kg)	29.5" w x 25.5" d x 22.5" h (74.9 cm x 64.8 cm x 57.2 cm)	195 lbs. (88.5 kg)
GSCS2-3	14.23" W x 28.53" D x 51.17" H (36.14 cm x 72.47 cm x 129.97cm)	18.05" W x 28.53" D x 62.31" H (45.85 cm x 72.47 cm x 158.27 cm)	152 lbs. (69 kg)	29.5" w x 25.5" d x 22.5" h (74.9 cm x 64.8 cm x 57.2 cm)	182 lbs. (82.5 kg)
GSCS3-3	14.23" W x 28.53" D x 51.17" H (36.14 cm x 72.47 cm x 129.97cm)	18.05" W x 28.53" D x 62.31" H (45.85 cm x 72.47 cm x 158.27 cm)	189 lbs. (86 kg)	29.5" w x 25.5" d x 22.5" h (74.9 cm x 64.8 cm x 57.2 cm)	219 lbs. (99.5 kg)

Globe Cheese Shredder is constructed of stainless steel. Units have 2 or 3 horsepower motors with overload protection and auto reset. Position switch prevents operation without the hopper fully engaged. 3/16" heavy duty shredding plate is included. Units conform to UL standard 763, NSF standard 8. Certified to CSA standard C22.2, number 195. One-year parts and labor warranty.

OPTIONAL/ADDITIONAL ACCESSORIES

- GSCS-Shelf** - Adjustable Container Shelf
- GSCS-Base** - Used to convert to floor model
- XSP332** - 3/32" shredding plate
- XSP14** - 1/4" shredding plate
- XSP516** - 5/16" shredding plate
- XSP12** - 1/2" shredding plate
- XSP316-HD** - 3/16" heavy duty shredding plate
- XSP316** - 3/16" shredding plate