



**IMC VENTUS VR60 GLASS FROSTER [FRONT LOAD] - GLASS DOOR
- STAINLESS STEEL FRAME - H 900 MM - W 600 MM**

MODEL: F49/600



Ventus

PRODUCT OPTIONS AND ACCESSORIES

- S76/048 Perforated Shelf - for V60 - 500D
- A12/091/Z1 Wire Shelf - Chrome - for M60 Bottle Cooler

PRODUCT FEATURES

- Wide range of options available to customise your glass froster, ensure a perfect fit in any bar
- Chills and frosts glasses, to enhance the taste and appearance of drinks
- Dynamic Air Distribution System coupled with efficient compressors and improved insulation ensures superior cooling times
- Rapid chill to -10°C to keep drinks colder for longer
- Energy efficient EcoSmart controller - at the touch of a button, put the glass froster into its most economical state until next required
- Efficient design means up to 50 pint glasses can be chilled at the same time
- Front loading design ensures fast and easy access to ice cold glasses
- Stylish stainless steel exterior to suit any commercial bar setting
- UK 3 pin plug - simply plug in and switch on

The perfect addition to any commercial bar, the VR60 rapidly chills glasses and liqueurs down to -10°C, to provide high-quality drinks that look great, stay colder for longer and with minimal dilution, as there is no need for ice.

The VR60's shelving provides storage for up to 50 pint glasses, whilst its front-loading design gives bar staff easy access, so drinks can be served quickly.

With a stylish stainless steel exterior, the VR60 complements any bar setting.

A/A FILE NUMBER:

ITEM NUMBER:



IMC VENTUS VR60 GLASS FROSTER [FRONT LOAD] - GLASS DOOR - STAINLESS STEEL FRAME - H 900 MM - W 600 MM

MODEL: F49/600

WEIGHTS & DIMENSIONS

Width	600 mil
Depth	500 mil
Height	900 mil
Weight	57.5 kg

SHIPPING DETAILS

Ship Width	68 cm
Ship Depth	68 cm
Ship Height	105 cm
Ship Weight	62.15 kg
Ship Method	Small Parcel (FedEx, UPS, DHL)
Shipping Package Type	Pieces
Shipping Origin Zip Code	LN6 3QZ, UNITED KINGDOM
Quick Ship Product	No

PRODUCT CERTIFICATIONS



ENERGY SPECS

Primary Energy Type	Electric	Electrical Plug Type	UK 3-Pin Plug
Electrical Total Amperage	2.9 A	Number of Electrical Plugs	1
Electrical Volts	240V	Electrical Connection Type	Cord and Plug
Electrical Total Wattage	667 W	Number of Electrical Conductor Wires	1
Electrical Kilowatts	0.667 kW	Dedicated Circuit Required	No
Electrical Phase	1-Phase	Electrical Remarks	Single

ADDITIONAL SPECIFICATIONS

Application Type	Undercounter	Number of Shelf Positions	29
Capacity (Volume)	128 l	Number of Shelves	2
Construction Materials	Stainless Steel	Refrigerant Type	R-290
Control Type	Digital Touch Pad, Electronic	Type of Lighting	LED
Defrost Method	Automatic	Temperature Maximum	-10 °C
Insulated	Yes	Temperature Minimum	2 °C

BIDDING SPECIFICATIONS (SHORT FORM SPECS)

Bidding Specifications Not Available.

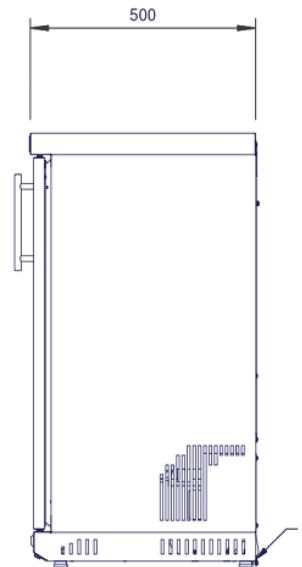
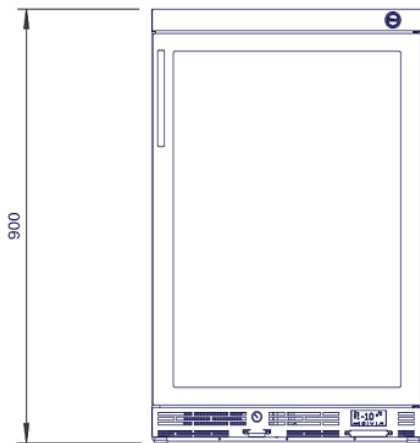
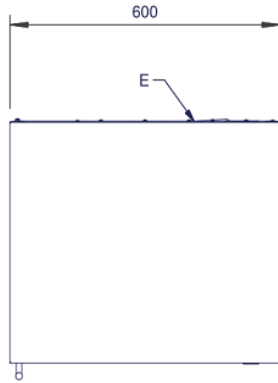




IMC VENTUS VR60 GLASS FROSTER [FRONT LOAD] - GLASS DOOR
- STAINLESS STEEL FRAME - H 900 MM - W 600 MM

MODEL: F49/600

TECHNICAL DRAWING



IMC reserves the right to modify specifications or discontinue models without incurring obligation. Dimensions nominal.

Document Auto-Generated
March 24, 2025