



IMC MF10L FREE-STANDING VEGETABLE PEELER - WITH CARBORUNDUM LINER - 1 PHASE - W 481 MM - 0.37 KW

MODEL: F59/510/L



The versatile, energy-efficient MF10L (1PH) is the ideal peeler for medium to large kitchens with a single-phase power supply.

With a carborundum liner and thick peeling plate for long operating life, the MF10L (1PH) is able to peel up to 322kg of vegetables per hour in 10kg batches making it a cost-effective and labour-saving solution.

Easy to operate, the unit comes with an integral stand and removable filter basket. It has an interlocking lid and door for user safety. The MF10L (1PH) has a perspex viewing pane to monitor progress, and an adjustable timer for accurate,

PRODUCT OPTIONS AND ACCESSORIES

- S59/164 Carborundum Peeling Plate for MF10/MF10L/MF15/MF15L Vegetable Peeler
- E72/011 Sink Skip - Stainless Steel - for MF10/MF10L/MF15/MF15L/VQ Peeler

PRODUCT FEATURES

- Able to peel up to 322kg of vegetables per hour - in 10kg batches.
- With carborundum liner to reduce peeling times even further.
- Interlocking lid and door ensure safe operation.
- Perspex viewing pane allows you to monitor the peeling progress.
- Adjustable timer ensures accurate, repeatable peeling times.
- Modular construction facilitates easy maintenance.
- Thicker peeling plate delivers longer operating life.
- Suitable for small to medium kitchens with single-phase power supply.

AIA FILE NUMBER:

ITEM NUMBER:



IMC MF10L FREE-STANDING VEGETABLE PEELER - WITH CARBORUNDUM LINER - 1 PHASE - W 481 MM - 0.37 KW

MODEL: F59/510/L

WEIGHTS & DIMENSIONS

Width	481 mil
Depth	633 mil
Height	1105 mil
Weight	52 kg

SHIPPING DETAILS

Ship Width	68 cm
Ship Depth	51 cm
Ship Height	117 cm
Ship Weight	57.2 kg
Ship Method	Small Parcel (FedEx, UPS, DHL)
Shipping Package Type	Pieces
Shipping Origin Zip Code	LN6 3QZ, UNITED KINGDOM
Quick Ship Product	No

WATER, PLUMBING, AND DRAINAGE SPECS

Drain Line Required	Yes
Drain Outlet Size	38 mm

PRODUCT CERTIFICATIONS



ENERGY SPECS

Primary Energy Type	Electric
Electrical Total Amperage	3.6 A
Electrical Volts	230V
Electrical Total Wattage	370 W
Electrical Kilowatts	0.37 kW
Electrical Phase	1-Phase

Electrical Plug Type	Hardwired
Number of Electrical Plugs	Not Applicable
Electrical Connection Type	Direct Hardwired
Number of Electrical Conductor Wires	1
Dedicated Circuit Required	Yes
Electrical Remarks	Single

ADDITIONAL SPECIFICATIONS

Airbreak	Yes
Construction Materials	Stainless Steel
Control Type	On/Off, Rotary Control Knob
Hopper Load	5 kg
Motor Power	0.5 hp
Operator Safety Method	Interlock
Processing Capacity Per Hour	322 kg
Timer Type	Mechanical/Traditional Timer

BIDDING SPECIFICATIONS (SHORT FORM SPECS)

Bidding Specifications Not Available.

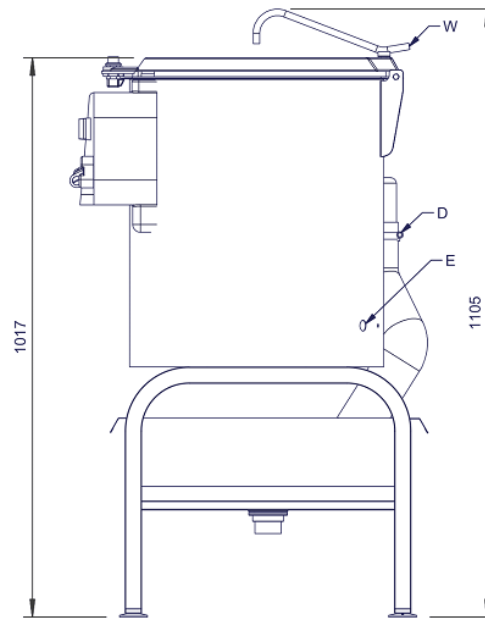
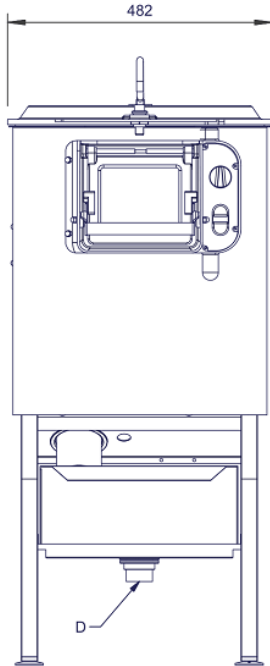
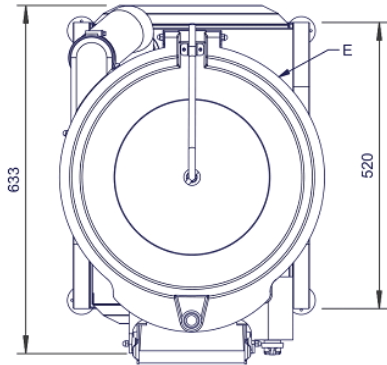




IMC MF10L FREE-STANDING VEGETABLE PEELER - WITH CARBORUNDUM LINER - 1 PHASE - W 481 MM - 0.37 KW

MODEL: F59/510/L

TECHNICAL DRAWING



IMC reserves the right to modify specifications or discontinue models without incurring obligation. Dimensions nominal.

Document Auto-Generated
March 24, 2025

