



## IMC MF10 FREE-STANDING VEGETABLE PEELER - WITH ONION PLATE - 3 PHASE - W 481 MM - 0.37 KW

### MODEL: F59/720



**MF**  
MULTI-FUNCTIONAL  
PEELER

#### PRODUCT OPTIONS AND ACCESSORIES

- S59/166 Onion Peeling Plate for MF10/MF15 Vegetable Peeler

The versatile, energy-efficient MF10 Onion Peeler (3PH) is the ideal onion peeler for medium to large kitchens with three-phase power supply.

With a thick peeling plate for long operating life, the MF10 Onion (3PH) is able to peel up to 143.5kg of onions per hour in 10kg batches making it a cost-effective and labour-saving solution. For best results, we recommend onions are topped and tailed before peeling, and hand finished afterwards.

Easy to operate, the unit comes with an integral stand and removable filter basket. It has an interlocking lid and door for user safety. The MF10

#### PRODUCT FEATURES

- Able to peel up to 143.5kg of onions per hour - in 10kg batches.
- Smooth stainless steel waste outlet prevents blockages and build-up of peelings.
- Interlocking lid and door ensure safe operation.
- Perspex viewing pane allows you to monitor the peeling progress.
- Adjustable timer ensures accurate, repeatable peeling times.
- Modular construction facilitates easy maintenance.
- Thicker peeling plate delivers longer operating life.
- Suitable for medium to large kitchens with three-phase power supply.

AIA FILE NUMBER:

ITEM NUMBER:



**IMC MF10 FREE-STANDING VEGETABLE PEELER - WITH ONION  
PLATE - 3 PHASE - W 481 MM - 0.37 KW**

**MODEL: F59/720**

**WEIGHTS & DIMENSIONS**

Width	481 mil
Depth	629 mil
Height	1105 mil
Weight	52 kg

**SHIPPING DETAILS**

Ship Width	50 cm
Ship Depth	70 cm
Ship Height	118 cm
Ship Weight	58.8 kg
Ship Method	Small Parcel (FedEx, UPS, DHL)
Shipping Package Type	Pieces
Shipping Origin Zip Code	LN6 3QZ, UNITED KINGDOM
Quick Ship Product	No

**WATER, PLUMBING, AND DRAINAGE SPECS**

Drain Line Required	Yes
Drain Outlet Size	38 mm

**PRODUCT CERTIFICATIONS**



**ENERGY SPECS**

Primary Energy Type	Electric
Electrical Total Amperage	1.2 A
Electrical Volts	400V
Electrical Total Wattage	370 W
Electrical Kilowatts	0.37 kW
Electrical Phase	3-Phase

Electrical Plug Type	Hardwired
Number of Electrical Plugs	Not Applicable
Electrical Connection Type	Direct Hardwired
Number of Electrical Conductor Wires	1
Dedicated Circuit Required	Yes
Electrical Remarks	Three

**ADDITIONAL SPECIFICATIONS**

Airbreak	Yes
Construction Materials	Stainless Steel
Control Type	On/Off, Rotary Control Knob
Hopper Load	10 kg
Motor Power	0.5 hp
Operator Safety Method	Interlock
Processing Capacity Per Hour	143.5 kg
Timer Type	Mechanical/Traditional Timer

**BIDDING SPECIFICATIONS (SHORT FORM SPECS)**

Bidding Specifications Not Available.

IMC reserves the right to modify specifications or discontinue models without incurring obligation. Dimensions nominal.

Document Auto-Generated  
March 24, 2025

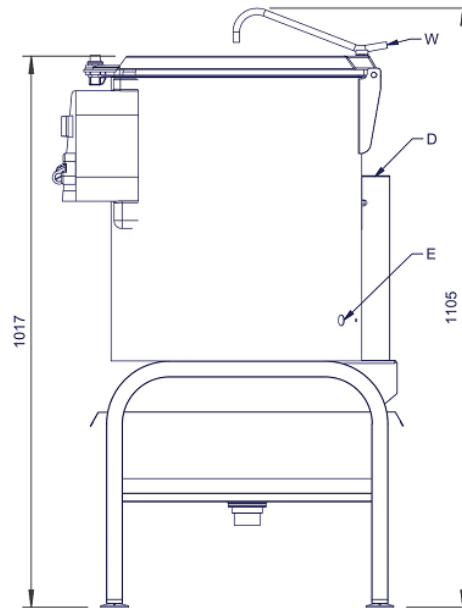
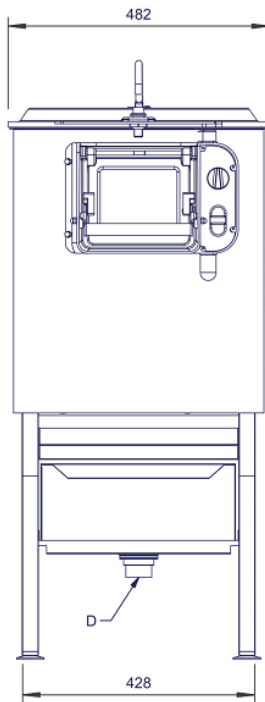
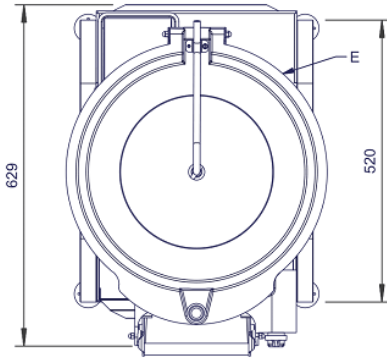




IMC MF10 FREE-STANDING VEGETABLE PEELER - WITH ONION  
PLATE - 3 PHASE - W 481 MM - 0.37 KW

MODEL: F59/720

TECHNICAL DRAWING



IMC reserves the right to modify specifications or discontinue models without incurring obligation. Dimensions nominal.

Document Auto-Generated  
March 24, 2025

