



**ISI-161TH**



## DESCRIPTION

- Slim and compact design
- Direct motor drive: less noise & vibration
- Heat treatment (Pasteurization)
- Agitator
- Mix low & out sensors

## SPECIFICATIONS

Type	Countertop
Flavors	Single Flavor
Cooling	Air Cooled
Electrical	115V / 60Hz / 1Ph
Hopper Capacity	3.2 qt (0.8 gallon)
Cylinder Capacity	1.5 qt (0.4 gallon)
Power Consumption	1.88 HP (1,350 W)
Consecutive Dispensing	3 cups / 3.5 oz
Compressor - Cylinder	0.85 HP x 1 (R404A)

## EXTERIOR

DIMENSION	MACHINE	SHIPPING
Width	12"	15"
Depth	31"	34"
Height	30"	36"
Weight	196 lbs	238 lbs

## CERTIFICATIONS

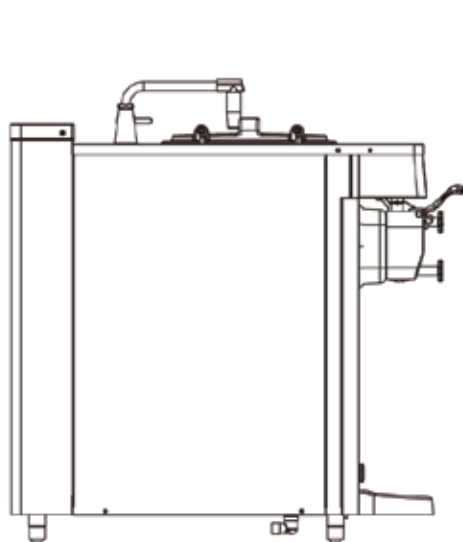


*Design and specifications are subject to change without notice*

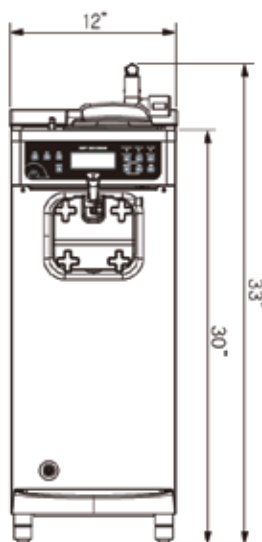
# ISI-161TH

## MINI ICE CREAM MACHINE

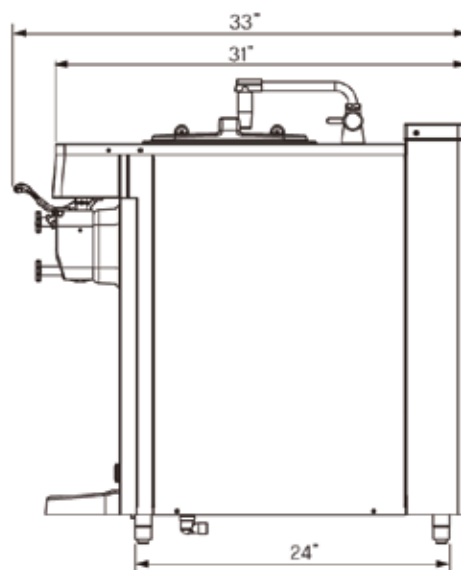
### PLAN VIEW



LEFT SIDE



FRONT VIEW



RIGHT SIDE

### DETAIL VIEW



Easy to control on the front  
LCD touch panel



Agitator  
Mix low & out sensors



Air discharge on top

REV. 07/31/2024

Design and specifications are subject to change without notice

