



SSM-180



SSM-280



SSM-420

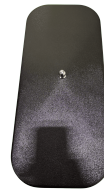
*Design and specifications are subject to change without notice*

## Features and Benefits

- Fastest Freezing cycle
- 3.2 gal/bowl capacity
- Durable metal gear motor
- Dispense a variety of frozen beverages
- Perfect performance in tropical zone
- Classical design
- Easy maintenance & cleaning
- Automatic shut down refrigeration control
- Easy removal drip tray
- Point of sale graphics panel

## Slush Machine Accessories

- Flat Top: SMA-FT (black)
- ADA Handles: SMA-ADA
- Autofill Kit: SMA-AF280 (for the SSM-280)
  - Includes all tubing, valves, and other components to automatically dispense slush mix into bowls



Flat Top



ADA Handle



Autofill Kit

## SPECIFICATIONS

Model	SSM-180	SSM-280	SSM-420
Tank Capacity	3.2 gallon x 1 Bowl	3.2 gallon x 2 Bowls	3.2 gallon x 3 Bowls
Legs	Rubber	Rubber	Rubber
Power Consumption	0.43HP (320 W)	1.37HP (1,020 W)	1.81HP (1,350 W)
Gear Motor	67 W x 1	67 W x 2	67 W x 3
Refrigerant	R134A	R404A	R404A
Compressor	0.35HP	0.85HP	1.3HP
Electrical <i>(included power cord with NEMA 5-15 plug)</i>	115V / 60Hz / 1Ph	115V / 60Hz / 1Ph	115V / 60Hz / 1Ph

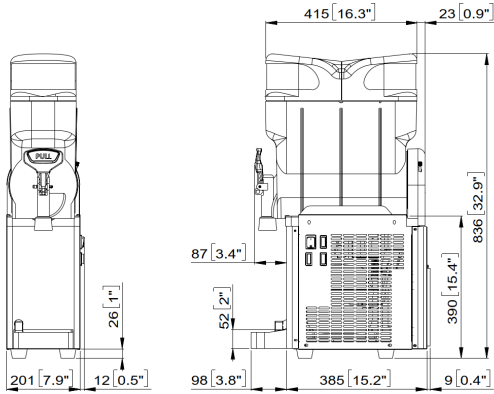
\* Standard Warranty:  
1 Year Parts & Labor  
Compressor 5 Year Parts



REV. 4/10/2026



## SSM-180



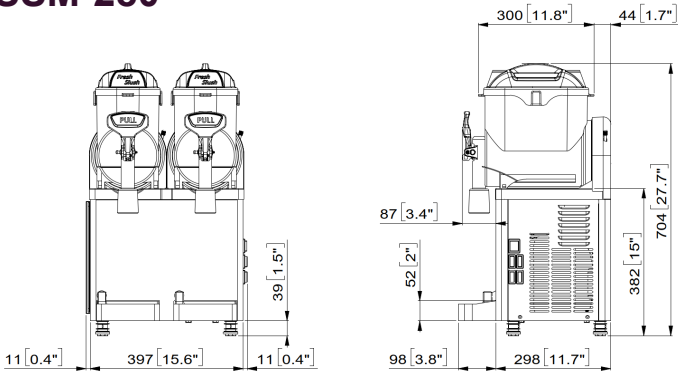
FRONT VIEW

SIDE VIEW

## SSM-180 Exterior

DIMENSION	MACHINE	SHIPPING
Width	7.7"	11.4"
Depth	19.2"	21.3"
Height	33.0"	39.2"
Weight	66.2 lbs	83.8 lbs

## SSM-280



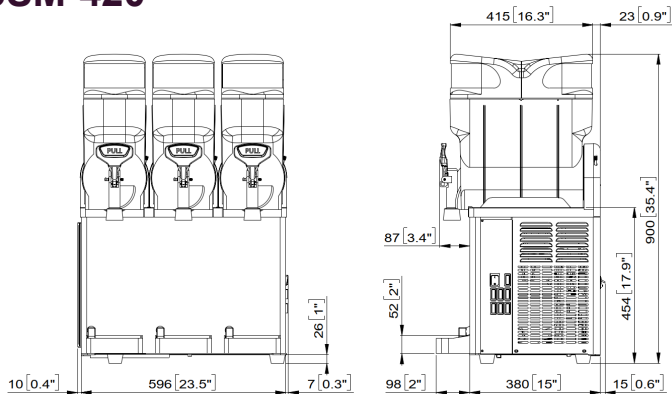
FRONT VIEW

SIDE VIEW

## SSM-280 Exterior

DIMENSION	MACHINE	SHIPPING
Width	15.6"	19.5"
Depth	18.5"	21.6"
Height	35.4"	40.7"
Weight	114.7 lbs	137.8 lbs

## SSM-420



FRONT VIEW

SIDE VIEW

## SSM-420 Exterior

DIMENSION	MACHINE	SHIPPING
Width	23.6"	26.8"
Depth	18.5"	21.6"
Height	35.4"	40.7"
Weight	176.4 lbs	189.6 lbs

