



DIRECT STEAM COUNTER TILTING KETTLE



Model KDCT-10 shown

- KDCT-6
- KDCT-10
- KDCT-12
- KDCT-20

OPERATION SHALL BE BY:

Direct steam at a minimum of 5 PSI (34 kPa) and a maximum of 45 PSI (310 kPa).

Standard Features

- Reversible tilt handle
- Type 316 stainless steel liner
- Steam control valve

OPTIONS & ACCESSORIES AT ADDITIONAL COST

- | | |
|--|--|
| <input type="checkbox"/> Etched gallon markings (GM-) | <input type="checkbox"/> One piece lift off stainless steel cover (C-) |
| <input type="checkbox"/> Etched liter markings (LM-) | <input type="checkbox"/> Stainless steel perforated basket (SSB-) |
| <input type="checkbox"/> Correctional Package | <input type="checkbox"/> Pour lip strainer (TKS-) |
| <input type="checkbox"/> 24" wide floor stand with sliding shelf (S-24) | <input type="checkbox"/> Steam control assembly (STA-3) consisting of line strainer, steam trap and safety valve |
| <input type="checkbox"/> 24" wide floor stand with sliding drain drawer (SD-24) | <input type="checkbox"/> Contoured measuring strip (CMS-) |
| <input type="checkbox"/> 30" wide floor stand with sliding shelf (S-30) | <input type="checkbox"/> Pressure reducing valve (PRV) |
| <input type="checkbox"/> 30" wide floor stand with sliding drain drawer (SD-30)* | *Requires stand skirt kit to conceal plumbing (SSK-2) |

STANDARD CONSTRUCTION SPECIFICATIONS

Shall be a Southbend Steam model KDCT-6, KDCT-10, KDCT-12 or KDCT-20, direct connected, steam, counter top tilting kettle. The sealed stainless steel tilt mechanism bearings shall permit the kettle to tilt forward past 90° for complete emptying.

A double wall kettle interior shall form a steam jacket around the lower 2/3 of the kettle. A removable operating handle with heat-proof knob shall be mounted on the left or right.

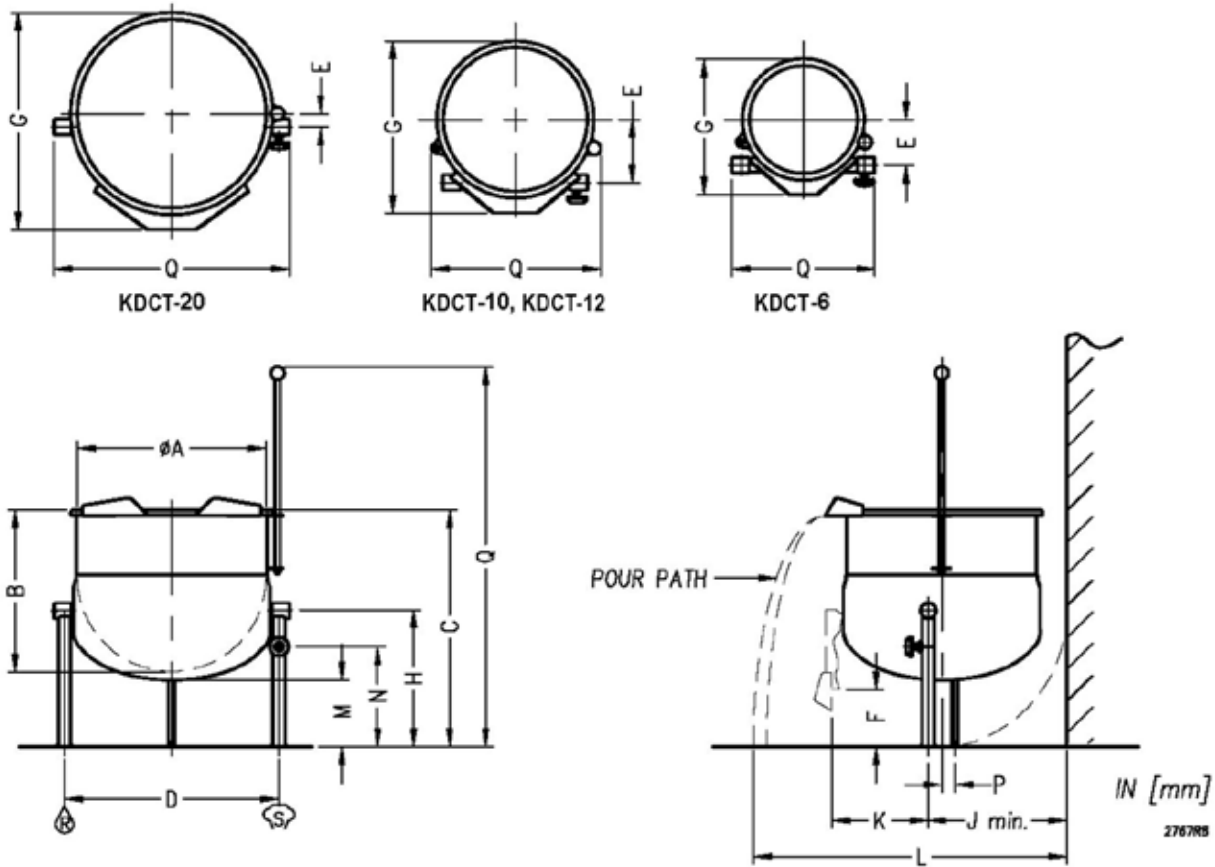
The bottom of the kettle shall be of hemispheric design for superior heat transfer. Construction shall be all welded satin finish stainless steel, type 304.

The tubular stainless steel mounting legs shall have the tilt bearings, steam supply and condensate return pipes completely concealed within the leg members and the right leg will be fitted with a steam control valve. Standard features include type 316 stainless steel liner for use with high acid content products.

A single support leg with nylon foot shall support the kettle in the upright position. The kettle shall be NSF Certified, ASME code stamped and National Board registered.



Approval Notes: _____



SERVICE CONNECTIONS

- STEAM SUPPLY" 1/2" IPS (13 mm) 5-45 PSI (34-310 kPa) [Pressure reducing valve is required if incoming pressure exceeds 50 PSI (345 kPa)]
- CONDENSATE RETURN: 1/2" IPS (13 mm)

DIMENSIONS

MODEL	CAPACITY	A	B	C	D	E	F	G	H	J	K	L	M	N	O	P	Q
KDCT-6	6 gallons (23 liters)	12" (305)	14.5" (368)	19.5" (495)	13.75" (349)	5" (127)	7.5" (191)	15.12" (384)	8.5" (216)	12.25" (311)	10.38" (264)	30.25" (768)	4" (102)	4.38" (111)	34.12" (867)	0"	16" (406)
KDCT-10	10 gallons (38 liters)	16" (406)	15" (381)	18.5" (470)	13.75" (349)	7" (178)	7.75" (197)	19.12" (486)	9" (229)	16.25" (413)	8.88" (225)	32.25" (819)	2.38" (60)	4.88" (124)	33.12" (841)	0"	19.25" (489)
KDCT-12	12 gallons (46 liters)	16" (406)	17" (432)	20.5" (521)	13.75" (349)	7" (178)	7.75" (197)	19.12" (486)	9" (229)	16.25" (413)	10.88" (276)	39.5" (1003)	2.38" (60)	4.88" (124)	35.12" (892)	0"	19.25" (489)
KDCT-20	20 gallons (76 liters)	21" (533)	18" (457)	24.0" (673)	23.5" (597)	1.5" (38)	3.75" (95.5)	24.12" (613)	12.75" (324)	15.75" (400)	10.5" (267)	40.5" (1029)	5.0" (127)	4.88" (124)	39.88" (1013)	1.5" (38)	23.5" (597)

SPECIFICATIONS

MODEL	SHIPPING WEIGHT	MINIMUM CLEARANCE	
KDCT-6	44 lbs. [20 kg]	SIDES BACK	1" [25mm] 3" [76mm]
KDCT-10	61 lbs. [28 kg]		
KDCT-12	70 lbs. [32 kg]		
KDCT-20	95 lbs. [43 kg]		

**INTENDED FOR COMMERCIAL USE ONLY.
NOT FOR HOUSEHOLD USE.**

