



# DIRECT STEAM FULL JACKET 80 GALLON KETTLE

- KDLS-80F
- KDLS-80P

**OPERATION SHALL BE BY:**

Direct steam at a minimum of 5 PSI (34 KpA) and a maximum of 25 psi (172 kPa) is required.



**OPTIONS & ACCESSORIES AT ADDITIONAL COST**

- |                                                                                                          |                                                                                                                                    |                                                                                    |
|----------------------------------------------------------------------------------------------------------|------------------------------------------------------------------------------------------------------------------------------------|------------------------------------------------------------------------------------|
| <input type="checkbox"/> 35 psi (241 kPa) high pressure operation for higher cooking temperature (HP-35) | <input type="checkbox"/> Triple basket assembly (TBA- 80F))                                                                        | <input type="checkbox"/> Single pantry faucet with 12" (305mm) swing spout (SF-12) |
| <input type="checkbox"/> 3" (76 mm) draw-off valve (TVS-3)                                               | <input type="checkbox"/> Steam trap assembly, consisting of steam trap, steam control valve, check valve and line strainer (STA-1) | <input type="checkbox"/> Double pantry faucet with 12" (305mm) swing spout (DF-12) |
| <input type="checkbox"/> Etched gallon markings (GM-80F)                                                 | <input type="checkbox"/> Solid disc for draw-off valve (TSS-)                                                                      | <input type="checkbox"/> Single pantry kettle filler (SP-KF)                       |
| <input type="checkbox"/> Etched litre markings (LM-80F)                                                  | <input type="checkbox"/> Strainer hook (SH)                                                                                        | <input type="checkbox"/> Double pantry kettle filler (DP-KF)                       |
| <input type="checkbox"/> Correctional package                                                            | <input type="checkbox"/> Contoured measuring strip (CMS-)                                                                          | <input type="checkbox"/> Kettle heat shield (KHS-)                                 |
| <input type="checkbox"/> Pressure reducing valve (PRV-2)                                                 | <input type="checkbox"/> Draw-off valve hose kit with 8' (2.44m) hose (DVHK-)                                                      |                                                                                    |

**STANDARD CONSTRUCTION SPECIFICATIONS**

Southbend Steam model KDLS-80F or KDPS-80P, direct steam connected full jacket quad leg or pedestal kettle. Convenience features shall include a 2" (50 mm) sanitary draw-off valve with perforated strainer and a hinged flat split stainless steel cover.

A double wall kettle interior shall form a steam jacket around the kettle. Faucet bracket standard.

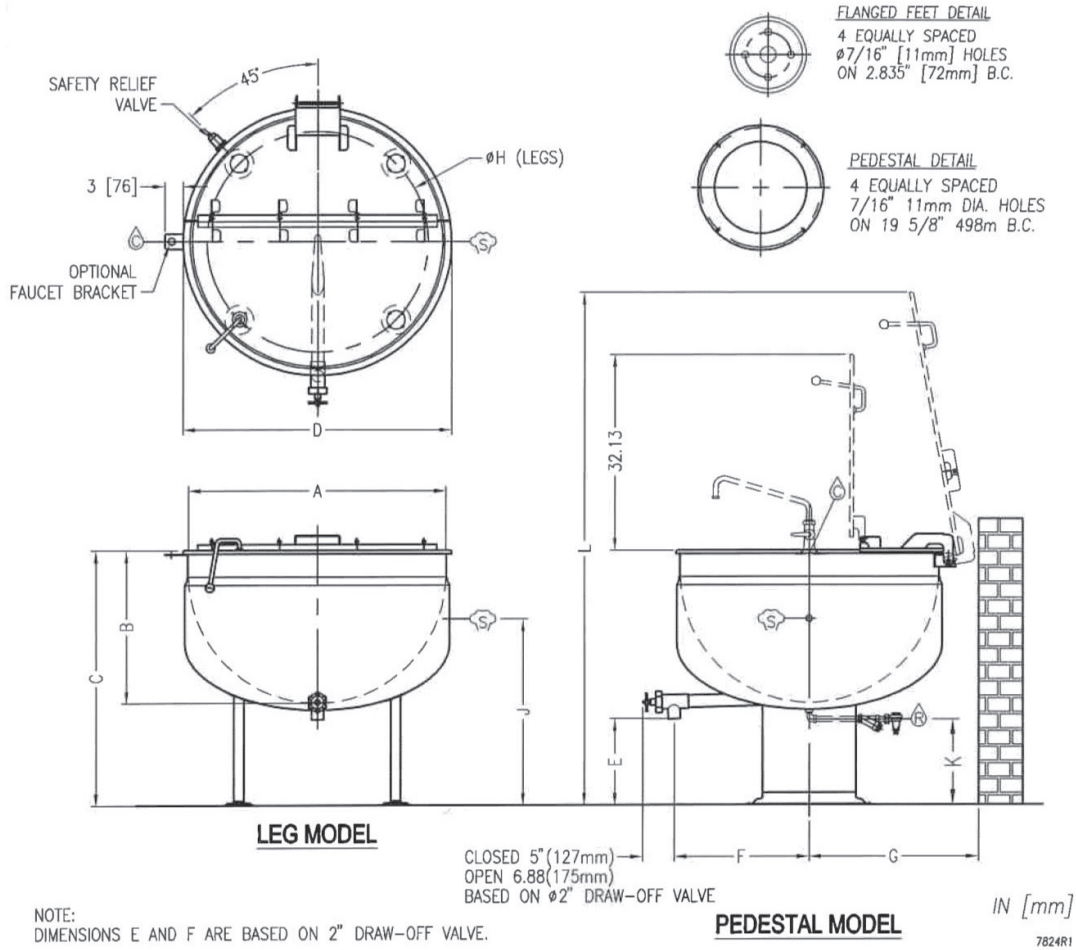
The bottom of the kettle shall be of hemispherical design for superior heat circulation. The DL-80F kettle shall be mounted on four stainless steel tubular legs. Each leg shall be fitted with a 4 hole adjustable flanged foot for securing to the floor.

Construction shall be all welded satin finish stainless steel type 304. The DP 80F kettle shall be mounted on a pedestal base and shall have four 7/16" (11mm) holes evenly spaced for securing the unit to the floor.

The kettle interior shall be stainless steel type 316.



Approval Notes: \_\_\_\_\_  
 \_\_\_\_\_  
 \_\_\_\_\_



**SERVICE CONNECTIONS**

- STEAM SUPPLY: 3/4" IPS (19 mm)
- CONDENSATE RETURN: 1/2" IPS (13 mm)
- COLD WATER: 3/8" (10 mm) tubing to faucet (optional)

**DIMENSIONS**

| MODEL    | CAPACITY     | UNITS | A      | B      | C      | D      | E      | F     | G     | H      | J     | K     | L      |
|----------|--------------|-------|--------|--------|--------|--------|--------|-------|-------|--------|-------|-------|--------|
| KDLS-80F | 80 gallons   | in    | 42"    | 23.75" | 40.5"  | 43.88" | 14.13" | 22"   | 27.5" | 36.13" | 35.5" | 14"   | 82.88" |
| KDPS-80F | (303 liters) | (mm)  | (1067) | (603)  | (1029) | (1114) | (359)  | (559) | (699) | (918)  | (902) | (356) | (2105) |
|          |              |       |        |        |        |        |        |       |       | NONE   |       |       |        |

**SPECIFICATIONS**

| MODEL    | SHIPPING WEIGHT   | MINIMUM CLEARANCE |         |
|----------|-------------------|-------------------|---------|
| KDLS-80F | 380 lbs. [172 kg] | SIDES<br>BACK     | 3 [76]  |
| KDPS-80F | 380 lbs. [172 kg] |                   | .5 [13] |

**INTENDED FOR COMMERCIAL USE ONLY.  
 NOT FOR HOUSEHOLD USE.**

