



DIRECT STEAM PEDESTAL TILTING KETTLE

- KDPT-20
- KDPT-30
- KDPT-40
- KDPT-60
- KDPT-80

OPERATION SHALL BE BY:

Direct steam at a minimum of 5 psi (34 kPa) and a maximum of 30 psi (206 kPa).



OPTIONS & ACCESSORIES AT ADDITIONAL COST

- | | | |
|--|--|---|
| <input type="checkbox"/> 50 PSI (345 kPa) high pressure operation for higher cooking temperature | <input type="checkbox"/> Etched litre markings (LM-) | <input type="checkbox"/> Solid stainless steel disc for draw-off valve (TSS-) |
| <input type="checkbox"/> 2" (76 mm) draw-off valve (TVT-2) with perforated strainer (TPS-) | <input type="checkbox"/> Correctional package | <input type="checkbox"/> Strainer hook (SH-) |
| <input type="checkbox"/> 3" (76 mm) draw-off valve (TVT-3) with perforated strainer (TPS-) | <input type="checkbox"/> Single pantry faucet with swing spout (SF-18) | <input type="checkbox"/> Graduated measuring strip (CMS-) |
| <input type="checkbox"/> Spring assist hinged cover (CH-) | <input type="checkbox"/> Double pantry faucet with swing spout (DF-18) | <input type="checkbox"/> Pan carrier (PC-4) |
| <input type="checkbox"/> Etched gallon markings (GM-) | <input type="checkbox"/> One piece lift off cover (C-) | <input type="checkbox"/> Pour lip strainer (TKS-) |
| | <input type="checkbox"/> Triple basket assembly (TBA-) | <input type="checkbox"/> Draw-off valve hose kit (DVHK-) |
| | <input type="checkbox"/> Steam trap assembly (STA-2) | <input type="checkbox"/> Kettle heat shield (KHS-) |

STANDARD CONSTRUCTION SPECIFICATIONS

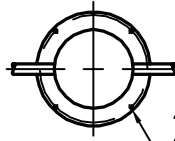
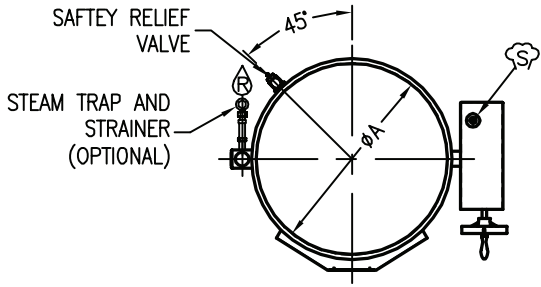
Shall be a Southbend Steam model KDPT-20, KDPT-30, KDPT-40, KDPT-60 or KDPT-80, direct steam connected, pedestal tilting kettle. A double wall kettle interior shall form a steam jacket around the lower 2/3 of the kettle. The bottom of the kettle shall be of hemispherical design for superior heat circulation. The pedestal base shall have four 7/16" (11 mm) holes evenly spaced for securing to the floor. A sealed tilting mechanism shall permit the kettle to tilt forward a full

90° for complete emptying. The tilting mechanism shall be self locking for positive stop action. Construction shall be all welded, satin finish, stainless steel, type 304. The kettle interior shall be standard stainless steel type 316 for high acid content cooking. The kettle shall be ASME Code stamped, National Board Registered and NSF certified. Faucet bracket standard and included.

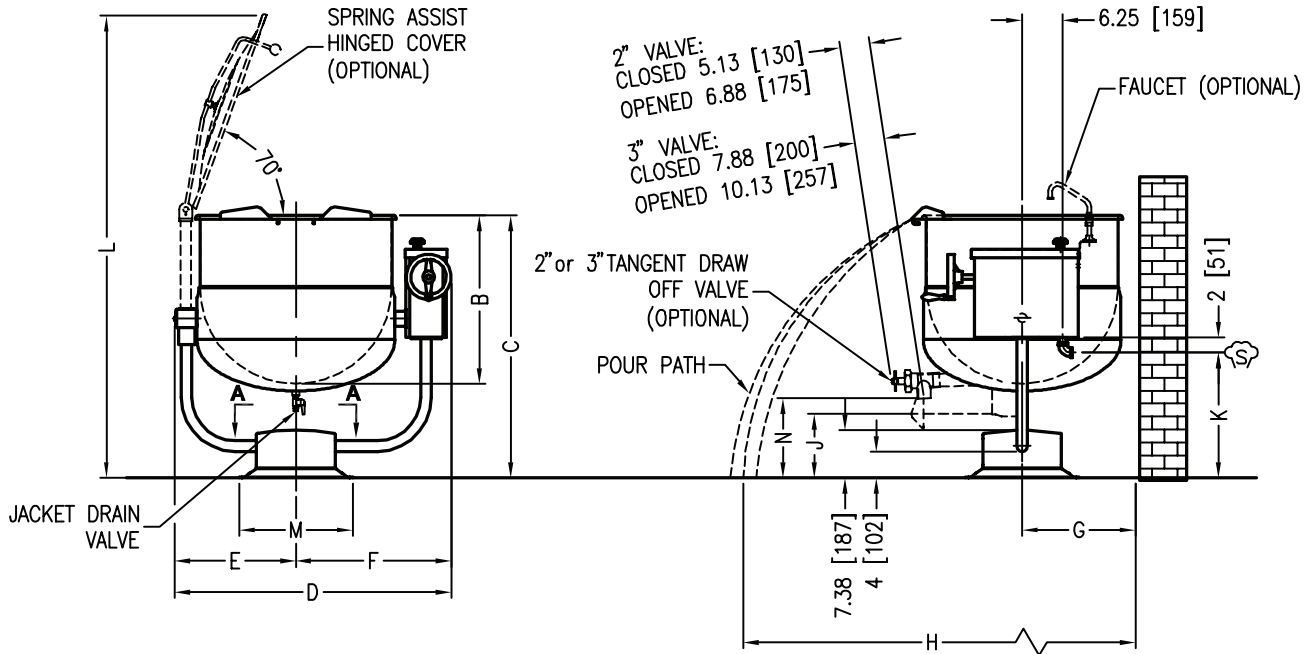


Approval Notes: _____

KDPT-SB



VIEW A-A



SERVICE CONNECTIONS

– STEAM SUPPLY: 3/4" IPS (19 mm) 5-30 PSI (34-207 kPa). Optional 5-45 PSI (34-310 kPa)*

- CONDENSATE RETURN: 1/2" IPS (13 mm)

* Pressure reducing valve is required if incoming pressure exceeds 50 PSI (345 kPa).

DIMENSIONS

MODEL	CAPACITY	UNITS	A	B	C	D	E	F	G	H	J	K	L	M	N(2")	N(3")
KDPT-20	20 gallons (76 liters)	in (mm)	21" (535)	18" (460)	37" (940)	34.75" (883)	14.75" (375)	20" (508)	13.5" (343)	41" (1041)	15.25" (387)	20.5" (521)	59.5" (1512)	17.5" (445)	16.75" (425)	16.25" (413)
KDPT-30	30 gallons (114 liters)	in (mm)	24" (610)	20" (510)	37" (940)	37.75" (959)	16.25" (413)	21.5" (546)	14" (356)	43" (1092)	13.25" (337)	20" (508)	62.5" (1588)	17.5" (445)	14.75" (375)	14.25" (362)
KDPT-40	40 gallons (152 liters)	in (mm)	26" (660)	22.5" (570)	37" (940)	39.75" (1010)	17.25" (438)	22.5" (572)	15.5" (394)	45" (1143)	10.75" (273)	18.5" (470)	64" (1626)	17.5" (445)	12.25" (311)	11.75" (298)
KDPT-60	60 gallons (227 liters)	in (mm)	29.5" (750)	26" (660)	40.5" (1029)	43" (1092)	18.88" (479)	24.13" (613)	17.5" (445)	48" (1219)	10.25" (260)	19.25" (489)	74" (1879)	17.5" (445)	14.25" (362)	13.75" (349)
KDPT-80	80 gallons (303 liters)	in (mm)	33" (840)	28" (710)	42.5" (1080)	46.5" (1181)	20.63" (524)	25.88" (657)	19" (483)	52" (1321)	9.75" (248)	20.5" (521)	76" (1930)	20.5" (521)	12.25" (311)	11.75" (298)

**INTENDED FOR COMMERCIAL USE ONLY.
NOT FOR HOUSEHOLD USE.**

