



# TWIN ELECTRIC COUNTER TILTING KETTLE



- KECT-6-2
- KECT-10-2
- KECT-12-2

**OPERATION SHALL BE BY:**

Electrically, self-generating closed steam system equipped for operation on:

The kettle shall be equipped for operation on:

- 208 VAC, 1 or 3 phase, 50/60 Hz\*
  - 220 VAC, 1 or 3 phase, 50/60 Hz \*
  - 240 VAC, 1 or 3 phase, 50/60 Hz \*
  - 380/220 VAC, 3 phase, 4 wire, 50/60 Hz
  - 415/240 VAC, 3 phase, 4 wire, 50/60 Hz
- \* Single Phase available on the EC-6TW-2 Only, Field Convertible.

**Standard Features**

- Low water level cut-off and indicator
- Pressure gauge
- Solid state temperature control
- Safety relief valve
- Type 316 stainless steel liner
- 2/3 steam jacket
- 50 PSI (345 kPa) high pressure operation for higher cooking temperature
- Integrally mounted controls
- Removable elements
- "Clean lock" to hold kettle in cooking position or 105° for ease of cleaning
- Stainless steel console and trunnion
- Water resistant construction

**OPTIONS & ACCESSORIES AT ADDITIONAL COST**

- |  |   |  |
|--|---|--|
| <input type="checkbox"/> 380 VAC, 3 phase, 50/60 Hz          | <input type="checkbox"/> Correctional Package   | <input type="checkbox"/> Contour measuring strip (CMS-)                                  |
| <input type="checkbox"/> 415 VAC, 3 phase, 50/60 Hz          | <input type="checkbox"/> One piece lift-off stainless steel cover (C-6/10/12)   | <input type="checkbox"/> Single pantry faucet with dual joint 18" swing spout (SF-18-DJ) |
| <input type="checkbox"/> 480 VAC, 3 phase, 50/60 Hz          | <input type="checkbox"/> Stainless steel wire basket (SSB-6/10/12)  | <input type="checkbox"/> Double pantry faucet with dual joint 18" swing spout (DF-18-DJ) |
| <input type="checkbox"/> 600 VAC, 3 phase, 50/60 Hz          | <input type="checkbox"/> 21" (46mm) high floor stand with sliding drain pan and stationary drain Models SD-54, SD-48*. (* For 6 Gallon) | <input type="checkbox"/> Pour lip strainer (TKS-)  |
| <input type="checkbox"/> Etched gallon markings (GM-6/10/12) |   |  |
| <input type="checkbox"/> Etched liter markings (LM-23/38/45) |   |  |

**STANDARD CONSTRUCTION SPECIFICATIONS**

Shall be a Southbend Steam model KECT-6-2, KECT-10-2, or KECT-12-2, self-generating, electric, counter, tilting kettle.

A double wall kettle interior shall form a steam jacket around the lower 2/3 of the kettle.

The jacket enclosure shall contain distilled water which is factory sealed.

The bottom of the kettle shall be of hemispherical design for superior heat circulation.

The stainless steel rectangular mounting base shall include the kettle mounting lugs concealed inside the enclosure.

A removable operating handle with heat proof knob shall be mounted on each kettle.

Construction shall be of all welded #4 finish stainless steel, type 304.

The interior cooking surface shall be of type 316 stainless steel for added resistance to corrosion.

The kettle shall be ASME Code stamped, National Board Registered, c-CSA-us and NSF certified.

The controls shall be water resistant, integrally mounted and shall include a power switch, solid state thermostat, pilot light, vacuum/pressure gauge, safety valve and low water shut off with low water light for each kettle.

The kettle shall operate in a temperature range of 165°F to 285°F (74°C to 140°C) at a maximum pressure of 50 psi (345 kPa).

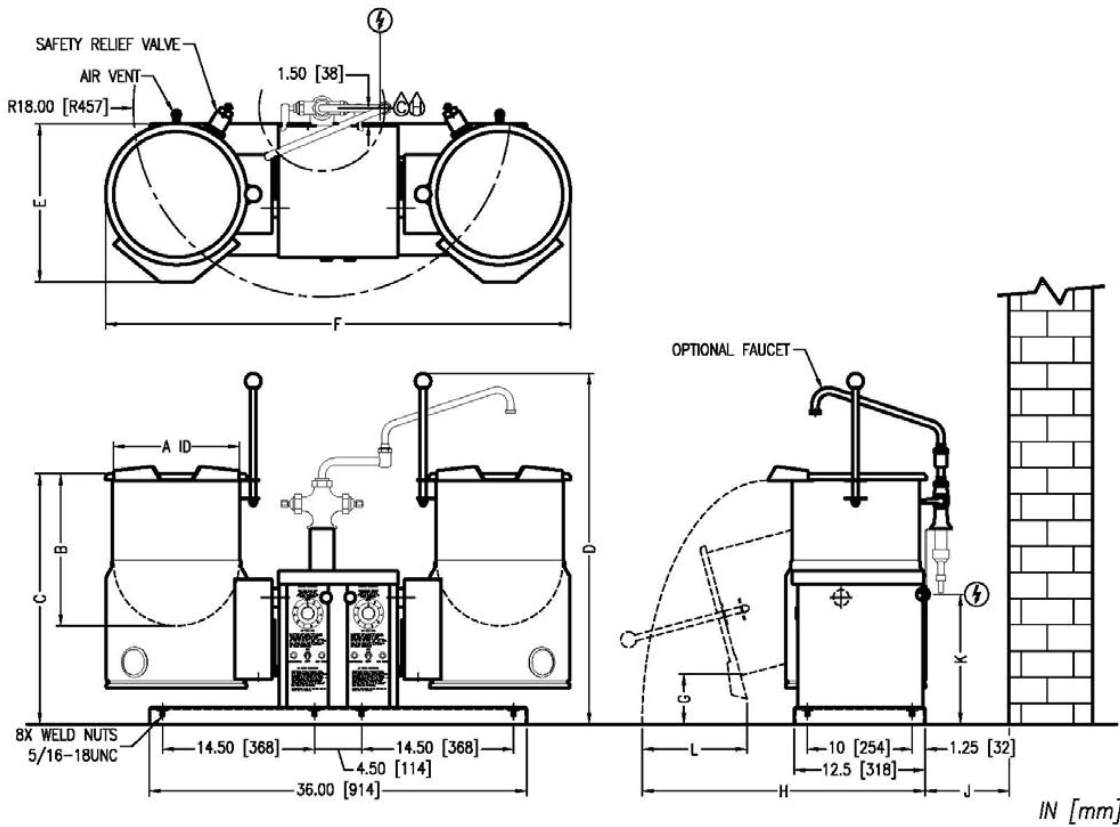
The kettle shall be standard with removable elements.



Approval Notes: \_\_\_\_\_

\_\_\_\_\_

KECT-2-SB



IN [mm]  
7918R1

**SERVICE CONNECTIONS**

- ⚡ - ELECTRICAL CONNECTIONS: to be specified on data plate
- C - COLD WATER: 3/8" O.D. tubing to faucet (OPTIONAL)
- H - HOT WATER: 3/8" O.D. tubing to faucet (OPTIONAL)

**DIMENSIONS**

Model	Capacity	Units	A	B	C	D	E	F	G	H	J	K	L
KECT-6-2	6 gallons 23 liters	in (mm)	12" (305)	14.38" (365)	24" (610)	33.5" (851)	15.25" (387)	44.38" (1127)	4.50" (114)	27" (686)	4.25" (108)	12.38" (314)	10" (254)
KECT-10-2	10 gallons 38 liters	in (mm)	16" (406)	15" (381)	26" (660)	34.88" (886)	17.25" (438)	55.25" (1400)	4.62" (117)	28" (711)	6.12" (156)	14.75" (375)	12.75" (324)
KECT-12-2	12 gallons 45 liters	in (mm)	16" (406)	17" (432)	28" (711)	36.88" (937)	17.25" (438)	55.25" (1400)	4.12" (105)	30" (762)	6.12" (156)	14.75" (375)	12.75" (324)

**ELECTRICAL CHARACTERISTICS AND SPECIFICATIONS**

MODEL	PHASE	kW	AMPS PER LINE							Model	Shipping Weight	Minimum Clearance		
			208V	220V	240V	380V	415V	480V	600V			Right Side	Left Side	Back
KECT-6-2	1	15	72.0	68.2	62.6	-	-	-	-	KECT-6-2	260 lbs. [118 kg]	3" (76 mm)	3" (76 mm)	2.5" (64 mm)
	3	15	41.6	39.4	36.2	22.8	20.8	18.0	14.4					
KECT-[10,12]-2	3	24	66.6	63.0	57.8	36.6	33.4	29.0	23.0	KECT-12-2	350 lbs. [159 kg]	3" (76 mm)	3" (76 mm)	2" (51 mm)

**INTENDED FOR COMMERCIAL USE ONLY.  
NOT FOR HOUSEHOLD USE.**

