



## 48" Ice Fill Station

Model Number
IFS1000-250
IFS1200-250



IFS1000-250 shown

### **FEATURES**

- Guillotine and large opening for scoop dispensing
- Full Stainless Steel—front, back, bottom, sides and liner
- Stainless steel baffle prevents ice overflow
- Adjustable flanged feet
- 1 ½" foamed in-place polyurethane insulation
- First in first out ice
- One (1) 48" Clear PVC tube for drainage (1"ID)
- Factory installed stainless steel drain pan
- Welded 40" base frame
- Transparent view window
- One (1) 250lbs capacity Poly-cart with foot operated rear drain Include
- 48" UHMWP ice paddle



**Toll Free Phone: 1-800-346-3246**

**Local Phone: (303) 761-1615**

**E-mail: [sales@kloppenberg.com](mailto:sales@kloppenberg.com)**

**[www.kloppenberg.com](http://www.kloppenberg.com)**

### **ASSEMBLY REQUIRED**

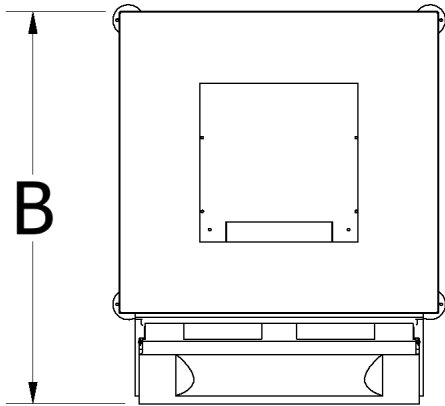
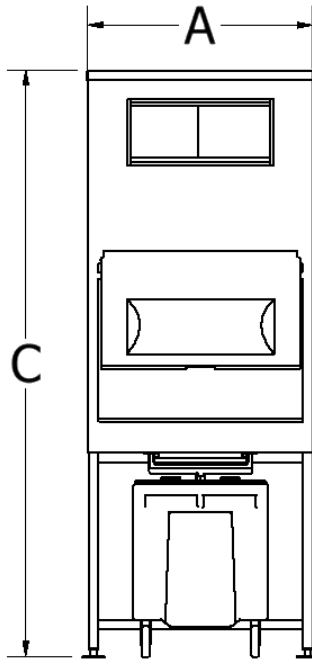
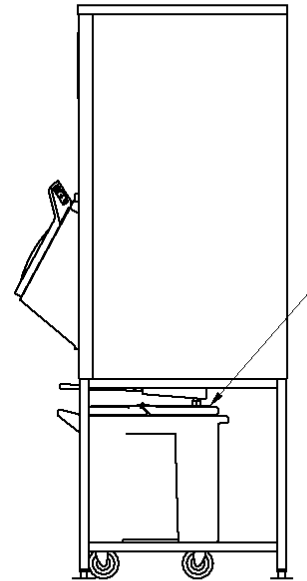
- Snout (tool-free)

**Model Number**

IFS1000-250

IFS1200-250

# 48" Ice Fill Station

**TOP VIEW****FRONT VIEW****SIDE VIEW**

Model Number	Capacity lbs (kg)	A-Width in (mm)	B-Depth* in (mm)	C-Height in (mm)	Minimum Door Clearance in (mm)	Ship Weight lbs (kg)
IFS1000-250	1161 (528)	48 (1,219)	44.5 (1,130)	89 (2,261)	34 (864)	525 (239)
IFS1200-250	1457 (662)	48 (1,219)	44.5 (1,130)	101 (2,565)	34 (864)	565 (257)

\*Includes 10.5" depth for snout

**OPTIONS:**

- Fully welded stainless steel liner (coved corners)
- Sleeves for additional capacity

**AVAILABLE ACCESSORIES:**

- Scoops
- Totes
- Bagging Kit

Toll Free Phone: 1-800-346-3246 Local Phone: 303-761-1615

Email: [sales@kloppenberg.com](mailto:sales@kloppenberg.com)Please send all PO's to [purchaseorders@kloppenberg.com](mailto:purchaseorders@kloppenberg.com)