



60" Ice Fill Station

Model Number	
IFS1300-250	IFS1600-250
IFS1800-250	IFS2300-250



IFS-2300 shown



NAFEM

North American Association of
Food Equipment Manufacturers

FEATURES

- Guillotine and large opening for scoop dispensing
- Full Stainless Steel—front, back, bottom, sides and liner
- Stainless steel baffle prevents ice overflow
- Adjustable flanged feet
- First in first out ice
- 1 ½" foamed in-place polyurethane insulation
- One (1) 48" Clear PVC tube for drainage (1"ID)
- Factory installed stainless steel drain pan
- Welded 40" base frame
- Transparent view window
- One (1) 250lbs capacity Poly-cart with foot operated rear drain
- Include 48" UHMWP ice paddle

ASSEMBLY REQUIRED

- Snout (tool-free)

Toll Free Phone: 1-800-346-3246

Local Phone: (303) 761-1615

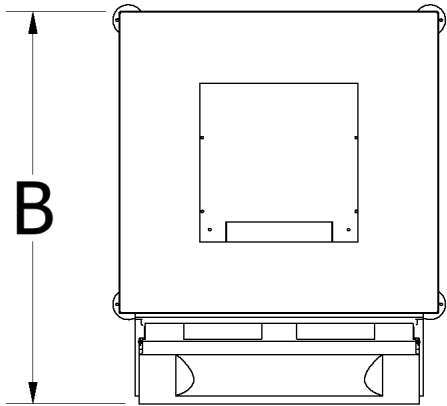
E-mail: sales@kloppenberg.com

www.kloppenberg.com

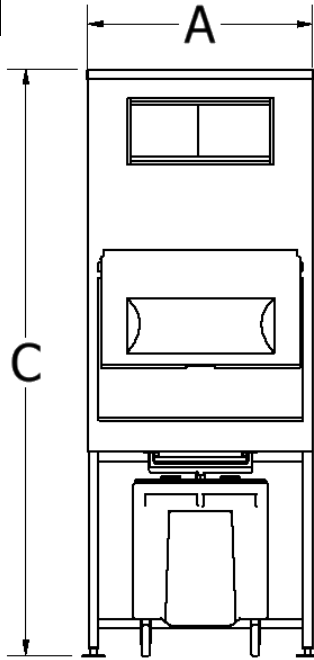
Model Number

IFS1300-250	IFS1600-250
IFS1800-250	IFS2300-250

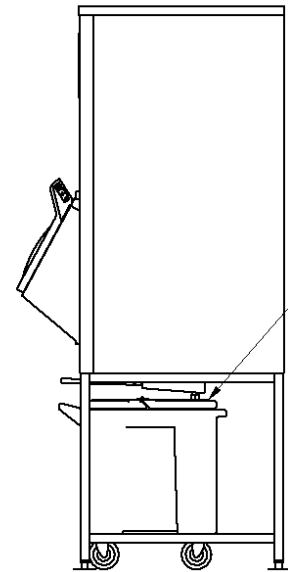
60" Ice Fill Station



TOP VIEW



FRONT VIEW



SIDE VIEW

Model Number	Capacity lbs (kg)	A-Width in (mm)	B-Depth* in (mm)	C-Height in (mm)	Minimum Door Clearance in (mm)	Ship Weight lbs (kg)
IFS1300-250	1,471 (669)	60 (1,524)	44.5 (1,130)	89 (2,261)	34 (864)	580 (264)
IFS1600-250	1,846 (839)	60 (1,524)	44.5 (1,130)	101 (2,565)	34 (864)	630 (286)
IFS1800-250	2,180 (991)	60 (1,524)	58.5 (1,486)	89 (2,261)	48 (1,224)	684 (311)
IFS2300-250	2,725 (1,239)	60 (1,524)	58.5 (1,486)	101 (2,565)	48 (1,224)	675 (307)

*Includes 10.5" depth for snout

OPTIONS:

- Fully welded stainless steel liner (coved corners)
- Sleeves for additional capacity

AVAILABLE ACCESSORIES:

- Scoops
- Totes
- Bagging Kit

Toll Free Phone: 1-800-346-3246 Local Phone: 303-761-1615

Email: sales@kloppenberg.com

Please send all PO's to purchaseorders@kloppenberg.com