

## Front-Venting Freezers

- Create a seamless, built-in look that adds a clean, professional appearance, ideal for open kitchens or customer-facing areas.
- Ensure efficient operation in high-traffic areas by directing heat away from the interior, maintaining consistent airflow even in compact spaces.
- Unidirectional casters included for easy maneuverability and stability in tight spaces.



UCFZ336-SS61A



UCFZ348-SS61A



UCFZ360-SS61A



UCFZ372-SS61A

Model	Description	Voltage/Hz/Phase/Amps	Shipping Weight
UCFZ336-SS61A	2 Door Front-Venting Freezer	115 / 60 / 1 / 6	264 lb
UCFZ348-SS61A	2 Door Front-Venting Freezer	115 / 60 / 1 / 6	319 lb
UCFZ360-SS61A	2 Door Front-Venting Freezer	115 / 60 / 1 / 6	342 lb
UCFZ372-SS61A	3 Door Front-Venting Freezer	115 / 60 / 1 / 12	452 lb

### Specifications

UCFZ336-SS61A dimensions: 33 31/32" H x 36 5/22" W x 31 13/16" D

UCFZ348-SS61A dimensions: 33 31/32" H X 48" W X 31 3/4" D

UCFZ360-SS61A dimensions: 33 31/32" H X 60 13/32" W X 31 3/4" D

UCFZ372-SS61A dimensions: 33 31/32" H X 71 29/32" W X 31 3/4" D

UCFZ336-SS61A: volume of 9.29 cu ft, 2 epoxy coated shelves

UCFZ348-SS61A: volume of 13.17 cu ft, 2 epoxy coated shelves

UCFZ360-SS61A: volume of 17.04 cu ft, 2 epoxy coated shelves

UCFZ372-SS61A: volume of 19.86 cu ft, 3 epoxy coated shelves

AISI 304 stainless steel interior and exterior

Autodefrost

CFC-free high density polyurethane insulated cabinet

Electronic Control

Environmentally friendly R290 refrigerant

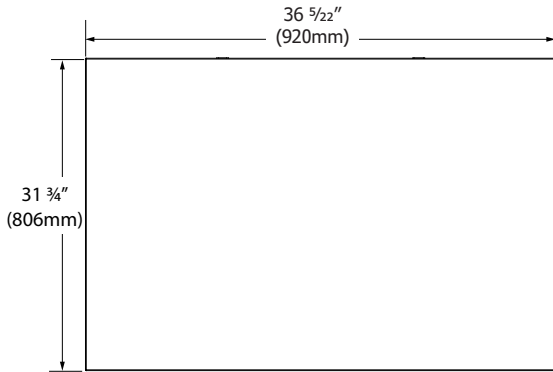
Epoxy coated, sealed evaporator eliminates potential corrosion

Factory pre-wired for dedicated outlet, 11 ft cord and plug included NEMA 5-15P

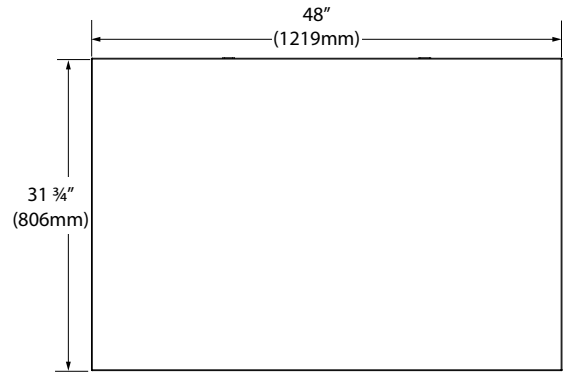
NSF/ANSI Standard 7 compliant

Temperature range: -13°F to 14°F

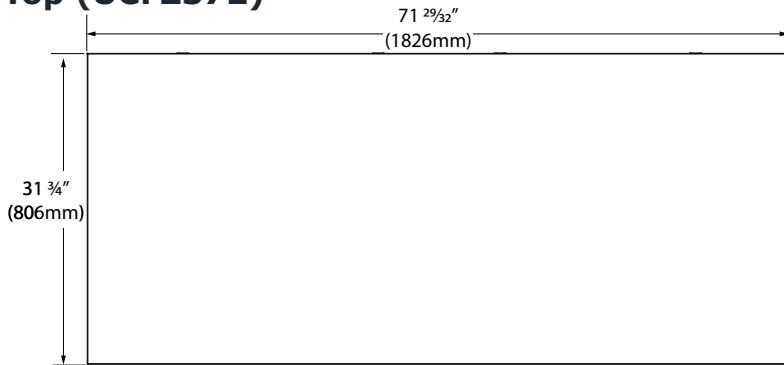
**Top (UCFZ336)**



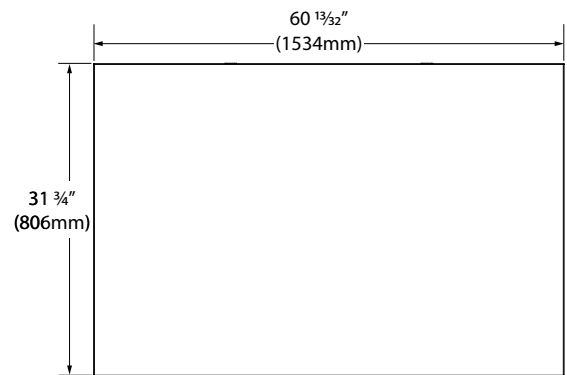
**Top (UCFZ348)**



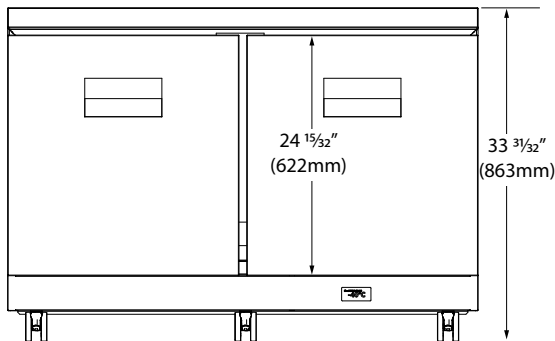
**Top (UCFZ372)**



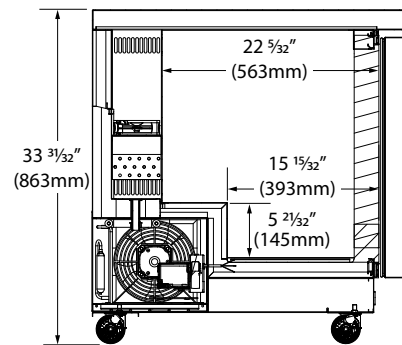
**Top (UCFZ360)**



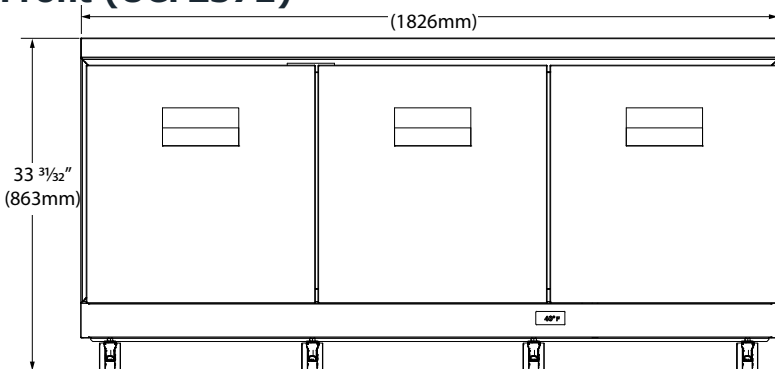
**Front (UCFZ336, 348, 360)**



**Side (all models)**



**Front (UCFZ372)**



**Commercial Warranty**

3 Year (parts & labor) / 5 year sealed system (parts)  
See complete warranty for details