

Front-Venting Refrigerators

- Create a seamless, built-in look that adds a clean, professional appearance, ideal for open kitchens or customer-facing areas.
- Ensure efficient operation in high-traffic areas by directing heat away from the interior, maintaining consistent airflow even in compact spaces.
- Unidirectional casters included for easy maneuverability and stability in tight spaces.



UCRE336-SS61A



UCRE348-SS61A



UCRE360-SS61A



UCRE372-SS61A

Model	Description	Voltage/Hz/Phase/Amps	Shipping Weight
UCRE336-SS61A	2 Door Front-Venting Refrigerator	115 / 60 / 1 / 3.4	264 lb
UCRE348-SS61A	2 Door Front-Venting Refrigerator	115 / 60 / 1 / 3.4	286 lb
UCRE360-SS61A	2 Door Front-Venting Refrigerator	115 / 60 / 1 / 3.4	342 lb
UCRE372-SS61A	3 Door Front-Venting Refrigerator	115 / 60 / 1 / 6.8	430 lb

Specifications

UCRE336-SS61A dimensions: 33 3¹/₃₂" H x 36 5¹/₂₂" W x 31 1³/₁₆" D

UCRE348-SS61A dimensions: 33 3¹/₃₂" H x 48" W x 31 3¹/₄" D

UCRE360-SS61A dimensions: 33 3¹/₃₂" H x 60 1³/₃₂" W x 31 3¹/₄" D

UCRE372-SS61A dimensions: 33 3¹/₃₂" H x 71 2⁹/₃₂" W x 31 3¹/₄" D

UCRE336-SS61A: volume of 9.29 cu ft, 2 epoxy coated shelves

UCRE348-SS61A: volume of 13.17 cu ft, 2 epoxy coated shelves

UCRE360-SS61A: volume of 17.04 cu ft, 2 epoxy coated shelves

UCRE372-SS61A: volume of 19.86 cu ft, 3 epoxy coated shelves

AISI 304 stainless steel interior and exterior

Autodefrost

CFC-free high density polyurethane insulated cabinet

Electronic Control

Environmentally friendly R290 refrigerant

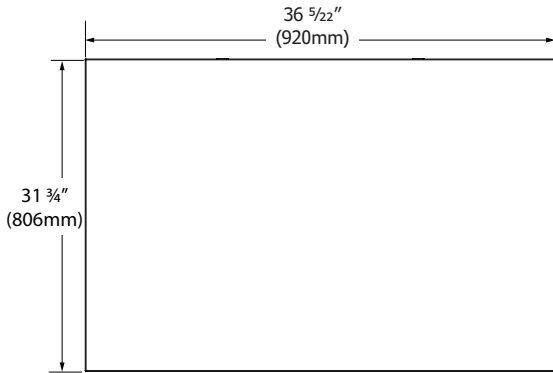
Epoxy coated, sealed evaporator eliminates potential corrosion

Factory pre-wired for dedicated outlet, 11 ft cord and plug included NEMA 5-15P

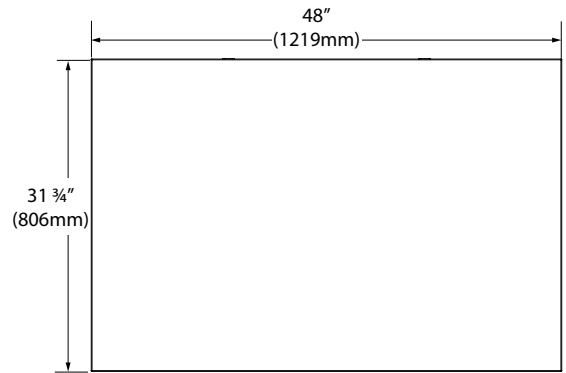
NSF/ANSI Standard 7 compliant

Temperature range: 28°F to 46°F

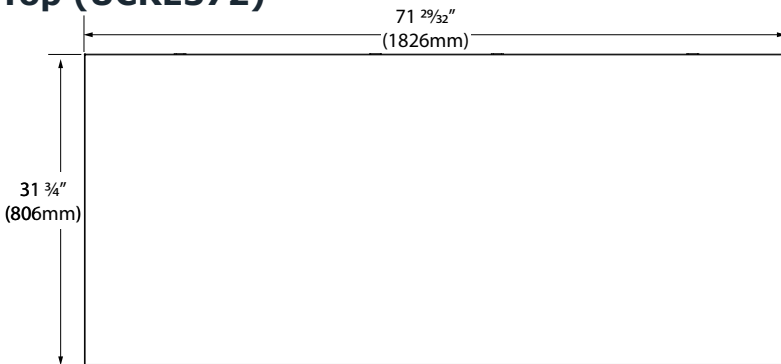
Top (UCRE336)



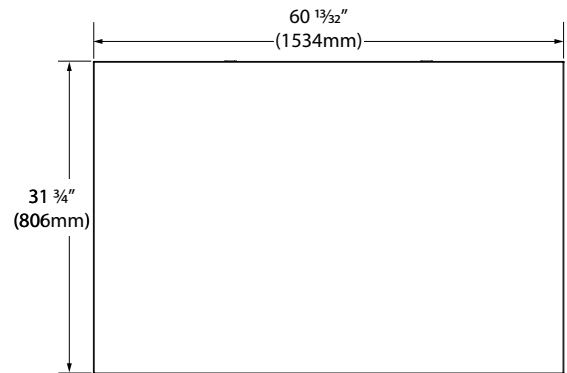
Top (UCRE348)



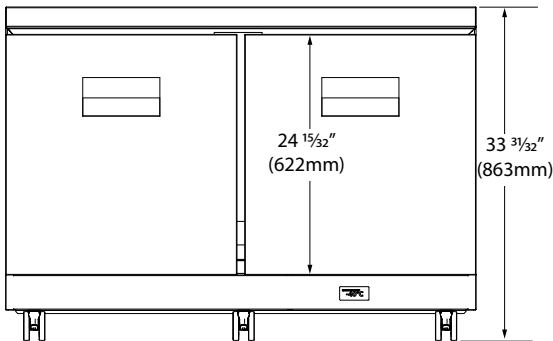
Top (UCRE372)



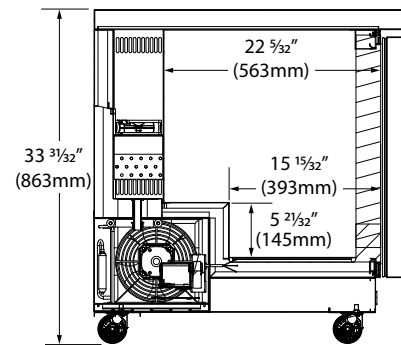
Top (UCRE360)



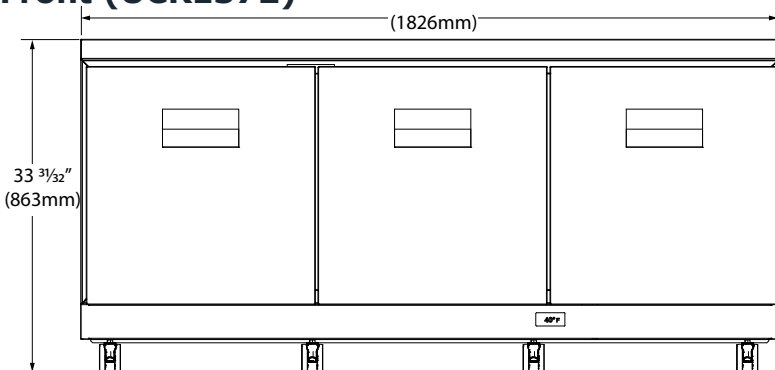
Front (UCRE336, 348, 360)



Side (all models)



Front (UCRE372)



Commercial Warranty

3 Year (parts & labor) / 5 year sealed system (parts)
See complete warranty for details